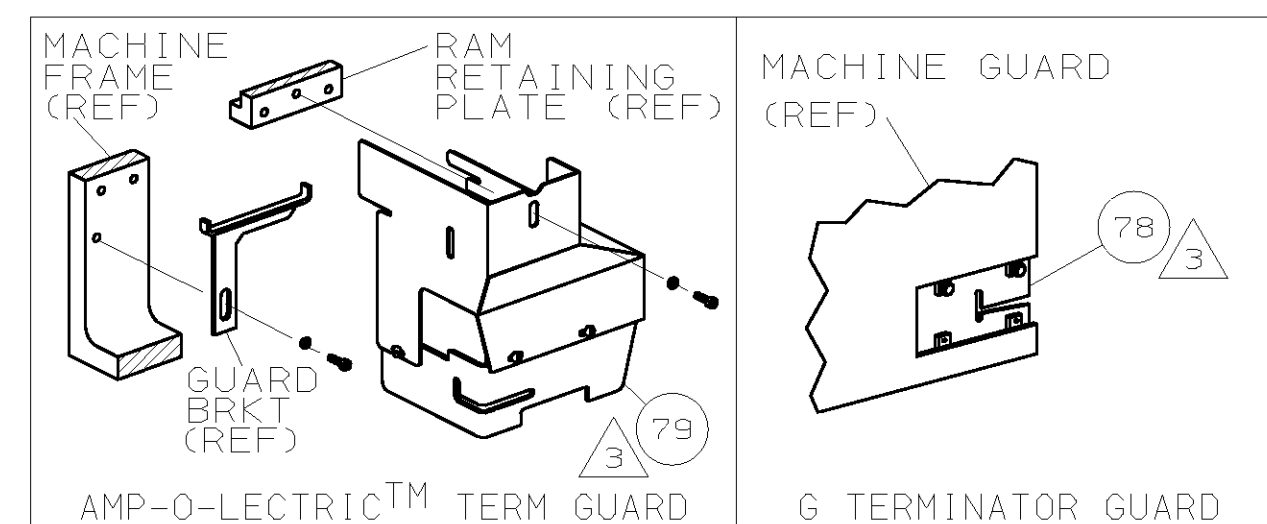
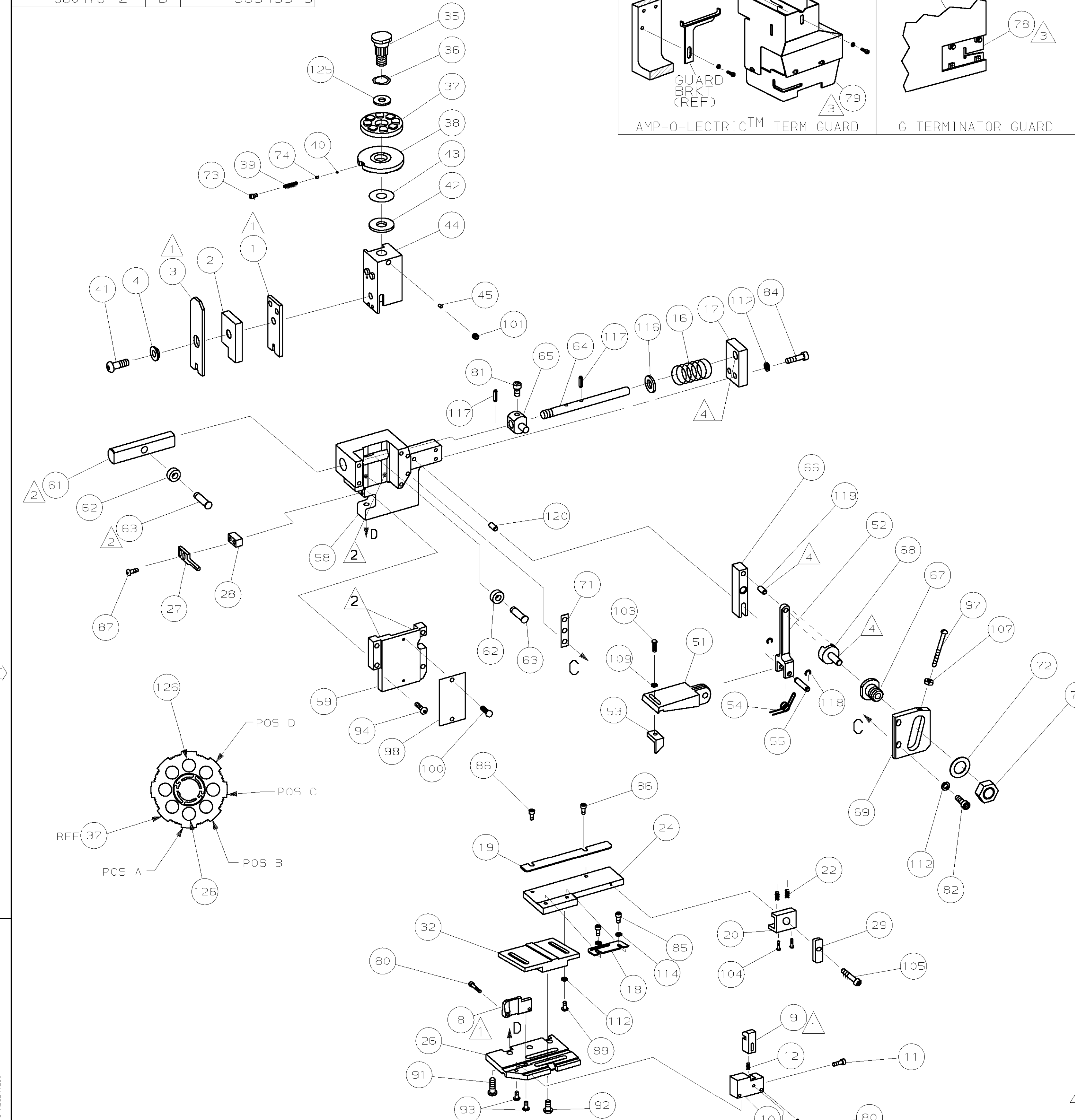


PART NUMBER	REV	FIRST USED
680476-1	B	122500-1
680476-2	B	565435-5

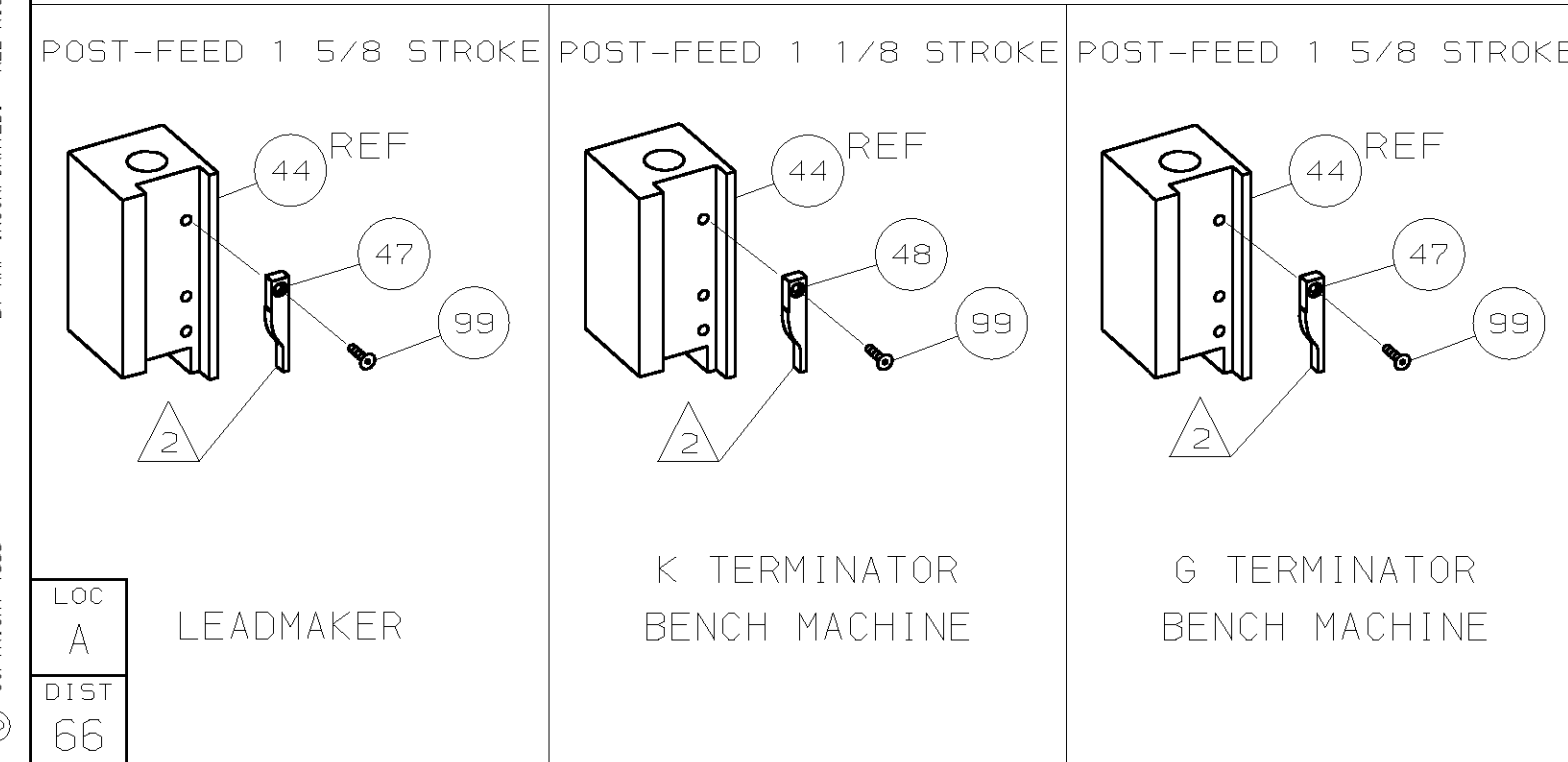


TERMINAL NAME: HP PAPER TRAY RECEPTACLE CONTACT		CRIMPING DATA			
PAD LTR	CRIMP HEIGHT	WIRE SIZE			
A	.027 ±.002 [0.69 ±0.05mm]	26			
B	NOT	USED			
C	NOT	USED			
D	NOT	USED			
CRIMP	SIZE	TYPE	RANGE		
WIRE	.042 [1.07mm]	F	28 - 26		
INSUL	.055 [1.4mm]	0	-		
WIRE STRIP LENGTH	TERM APPL SPEC	FEED	APPL INSTRUCTION	SET UP GAGE	LAYOUT
.109-.141	NONE	.787	408-8039	-	L1938

-1		LEADMAKER & BENCH MODEL G		MECH POST FEED			
-2		BENCH MODEL K		MECH POST FEED			
1	1	-	A	22594-8	NUT, HEX	70	
1	1	-	B	240628-1	PLATE, ADJ	69	
1	1	-	B	240626-1	SHAFT, PIVOT	68	
1	1	-	B	240633-1	BUSHING	67	
1	1	-	A	455680-1	LEVER, INTERMEDIATE	66	
1	1	-	B	240629-1	BLOCK, PIVOT	65	
1	1	-	A	240632-2	SCR, ADJ	64	
1	1	-	B	240659-3	PIN, CAM ROLLER	63	
1	1	-	B	240658-1	CAM, ROLLER	62	
1	1	-	B	454398-1	ROD, FEED	61	
						60	
1	1	-	C	454220-1	CAP, RAM	59	
1	1	-	C	453736-1	HOUSING	58	
						57	
						56	
1	1	-	B	240624-1	PIN, FEED FINGER	55	
1	1	-	B	691499-1	SPRING, FEED FINGER	54	
1	1	-	B	679904-1	FINGER, FEED	53	
1	1	-	B	240634-1	LEVER, TERMINAL	52	
1	1	-	A	690541-1	HOLDER, FEED FINGER	51	
						50	
						49	
1	-	-	B	690602-5	CAM, POST FEED 1 1/8 ST	48	
-	1	-	B	690602-6	CAM, PRE-FEED 1 5/8 ST	47	
						46	
1	1	-	A	690191-1	PLUG, NYLON	45	
1	1	-	C	455674-1	RAM	44	
1	1	-	A	690125-1	WASHER, LAMINATED	43	
1	1	-	A	690124-1	WASHER, RAM	42	
1	1	-	A	7-21002-9	BOLT, CRIMPER (5/16-24x1.00)	41	
1	1	-	A	23241-6	BALL, STEEL	40	
1	1	-	A	690170-1	SPRING, COMPRESSION	39	
1	1	-	C	690142-1	DISC, INSULATION	38	
1	1	-	D	354777-1	WIRE DISC, PLASTIC	37	
1	1	-	A	22480-5	WASHER, SPRING	36	
1	1	-	B	690212-1	POST, RAM	35	
						34	
						33	
1	1	-	B	662655-2	BLOCK, BASE	32	
						31	
						30	
1	1	-	B	240793-1	LEVER, DRAG RELEASE	29	
1	1	-	A	690451-7	SPACER, STRIPPER	28	
1	1	-	A	690455-9	STRIPPER	27	
1	1	-	C	662617-2	PLATE, BASE	26	
						25	
1	1	-	B	662656-2	PLATE, STRIP GUIDE	24	
						23	
2	2	-	A	1-22284-0	SPRING, DRAG	22	
						21	
1	1	-	A	240792-1	DRAG, STOCK	20	
1	1	-	B	662657-2	GUIDE, STRIP (REAR)	19	
1	1	-	C	690438-1	GUIDE, STRIP (FRONT)	18	
1	1	-	A	454178-1	GUIDE, FEED ROD	17	
1	1	-	A	4-22284-9	SPRING, FEED RETURN	16	
						15	
						14	
						13	
1	1	-	A	5-22279-1	SPRING, COMPRESSION	12	
1	1	-	B	690461-6	STOP, SHEAR	11	
1	1	-	C	904850-1	PLATE, SHEAR	10	
1	1	-	C	904851-1	SHEAR, FLOATING	9	
1	1	-	D	904849-1	ANVIL	8	
						7	
						6	
						5	
1	1	-	B	2-238009-2	SPACER, BLOCK CRIMPER	4	
1	1	-	C	904741-2	CRIMPER, INSULATION	3	
1	1	-	B	904859-1	DEPRESSOR, SHEAR	2	
1	1	-	C	2-456401-7	CRIMPER, WIRE	1	



QTY	RECD PER ASSY	U/M	DWG SIZE	PART NO	DESCRIPTION	ITEM NO
						129
						128
						127
2	2	-	C	6-354779-6	PIN, WIRE DISC (.3320)A	126
1	1	-	A	986950-1	WASHER, FLAT PRECISION	125
1	1	-	A	217238-1	GENERAL INSTRUCTION PACKAGE	124
1	1	-	-	4088039	EF APPL INST 408-8039	123
						122
						121
1	1	-	A	1-21030-7	PIN, DOWEL (Ø.187x1.50)H5G	120
1	1	-	A	1-21030-1	PIN, DOWEL (Ø.187x.50)LEVER	119
2	2	-	A	21045-3	RING, RET "C" (Ø.187)FD PIN	118
2	2	-	A	5-21028-1	PIN, STD SPRING (Ø.12)FD ADJ ROD	117
1	1	-	A	21899-4	WASHER, FLAT (Ø5/16)SCR ADJ	116
						115
2	2	-	A	21024-2	WASHER, LOCK (NO.4)FT ST GDE	114
						113
6	6	-	A	21024-5	WASHER, LOCK (NO.10)FD ROD GDE	112
						111
						110
2	2	-	A	21024-4	WASHER, LOCK (NO.8)STRIPPER	109
						108
1	1	-	A	21018-5	NUT, HEX (6-32)FD ADJ PL	107
						106
1	1	-	A	22353-8	SCR, SHLD (Ø.187x.25)DRAG LEVER	105
2	2	-	A	3-21002-0	SCR, BHC (10-32x.88)DRAG	104
1	1	-	A	2-22603-0	SCR, HEX HD (8-32x.31)FD FINGER	103
						102
1	1	-	A	21009-2	SCR, 5KT SET (1/4-20x.25)RAM	101
2	2	-	A	21017-2	SCR, DRIVE (#2x.19) ID PLATE	100
1	1	-	A	1-21002-7	SCR, BHC (6-32x.38)CAM	99
1	1	-	B	461264-1	PLATE, IDENTIFICATION	98
1	1	-	A	6-23715-5	SCR, PAN HD (6-32x1.50)FEED ADJ	97
						96
						95
4	4	-	A	2-21002-9	SCR, BHC (10-32x.75)H5G CAP	94
2	2	-	A	22733-8	SCR, BHC (8-32x.38 LW)ANVIL	93
4	4	-	A	3-21002-3	SCR, BHC (1/4-20x.50)ST 6D PL	92
3	3	-	A	2-22733-8	SCR, BHC (1/4-20x.62)BASE PL	91
						90
2	2	-	A	3-21000-4	SCR, 5HC (10-32x.38)STRIP GUIDE	89
-	-	-	-	-	-	88
2	2	-	A	2-21000-9	SCR, 5HC (8-32x.75)STRIPPER	87
2	2	-	A	2-21002-2	SCR, BHC (8-32x.50)R ST GUIDE	86
2	2	-	A	1-21000-3	SCR, 5HC (4-40x.25)F ST GUIDE	85
2	2	-	A	3-21000-7	SCR, 5HC (10-32x.75)FEED ROD GDE	84
						83
2	2	-	A	3-21000-6	SCR, 5HC (10-32x.62)FEED ADJ PL	82
1	1	-	A	3-21000-4	SCR, 5HC (10-32x.38)PIVOT BLOCK	81
2	2	-	A	2-21000-1	SCR, 5HC (6-32x.62)SHEAR PL	80
REF	-	-	A	455745-1	GUARD, WINDOW	79
-	REF	-	A	679532-1	INSERT, GUARD	78
						77
						76
						75
1	1	-	A	690603-1	SPRING, ASSIST	74
1	1	-	A	23030-1	SCR, 5KT CAP (6-32x.25)CP DSC	73
1	1	-	A	458109-1	WASHER, FLAT (SPECIAL)	72
1	1	-	A	690517-1	SPACER	71



- 1 RECOMMENDED SPARE PARTS.
- 2 GREASE LIGHTLY.
- 3 GUARD MUST BE IN PLACE WHEN OPERATING APPLICATOR IN A BENCH MACHINE.
- 4 LUBRICATE DAILY USING NO. 20 MACHINE OIL.
- 5 ITEM 78 USED WITH G TERMINATOR ONLY.