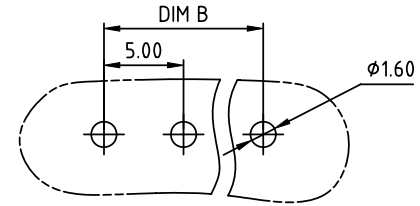
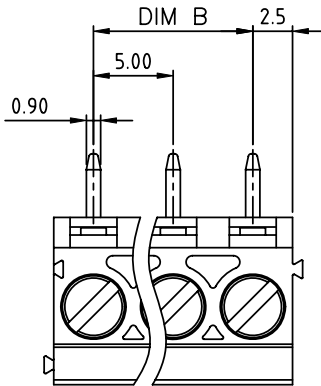
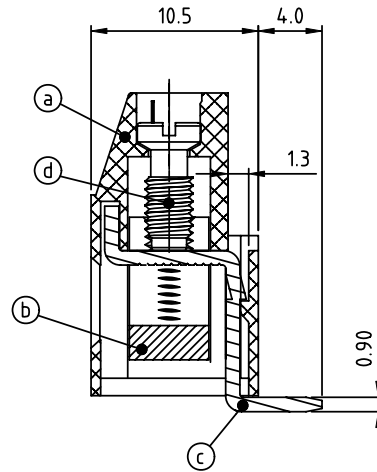
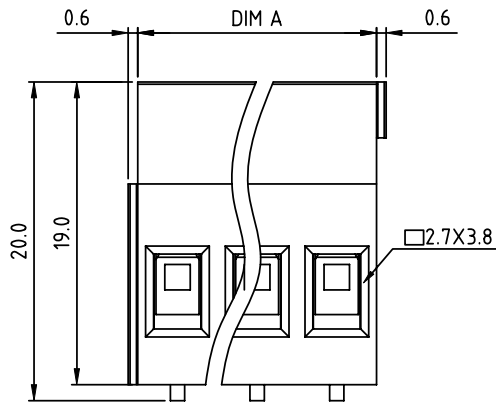


PRODUCT NUMBER	PITCH
VJxx01x000J0G	5.00mm



RECOMMENDED P.C.B LAYOUT
TOP VIEW



Material:

- Item(a) Terminal housing: Thermoplastic (UL 94V-0)
- Item(b) Clamp: Brass Ni plated
- Item(c) Solder pin: Brass Tin plated
- Item(d) Terminal screw: Steel Zinc plating"- "slot type

- | | |
|------------------------------------------|------------------------|
| Electrical cULus | VDE |
| ● Voltage rating: 300VAC | 450V |
| ● Current rating: 20A | 24A |
| ● Wire range : | 0.2-2.5mm ² |
| ● Solid wire(AWG): 12-30 | |
| ● Stranded wire(AWG): 12-30 | |
| ● Torque: 3.5Lb-in | 0.5 N.m |
| ● Screw: M3 | |
| ● Wire strip length: 6-7mm | |
| ● Withstanding Voltage: 1.6KV | 2.5KV |
| ● Operating temperature: -40°C to +115°C | |
| ● Soldering temperature: 260°C±5°C/5 Sec | |
| ● Safety Approval: | cULus VDE |

PART NO.: VJ xx 0 1 x 0 00J0 G

Dimension A&B

DIM A	N×5.0
DIM B	(N-1)×5.0

N=Number of poles

Poles	DimA&B Tolerance
2P-8P	±0.15
9P-14P	±0.25
15P-20P	±0.35
21P-24P	±0.40

- | | | |
|---------------|---------------------|-----------------|
| End stackable | Color | RoHS compliant |
| No. of poles | | (lead<4%) |
| 02 2 poles | 0 Black (RAL9005) | In copper Alloy |
| 03 3 poles | 2 Red (RAL3001/D) | |
| ... | 3 Orange(RAL2011/P) | |
| ... | 4 Yellow(RAL1018/A) | |
| 24 24 poles | 5 Green(RAL6018/T) | |
| | 6 Blue (RAL5015/A) | |
| | 8 Grey(RAL7035/D) | |
| | 9 White(RAL1102) | |
| | C Green(RAL6018/U) | |

mat'l. code		surface ASME Y14.5	tolerance ASME Y14.5	projection	product family TERMINAL BLOCK
ltr	ecn no	dr	date	tolerances unless otherwise specified	title TERMINAL BLOCK
				angles X±0.5	scale RISING CLAMP,90D WIRE INLET,END STACKABLE
				MM	dwg no VJxx01x000J0G
				X.X±0.3	sheet 1 of 1 size A4
				X.XX±0.1	type CUSTOMER Drawing
dr	EVIN ZHONG	040914			
enr	EVIN ZHONG	040914			
chr	HANKE FENG	040914			
appd	SHI JUN	040914			
sheet index	revision sheet	A	1		