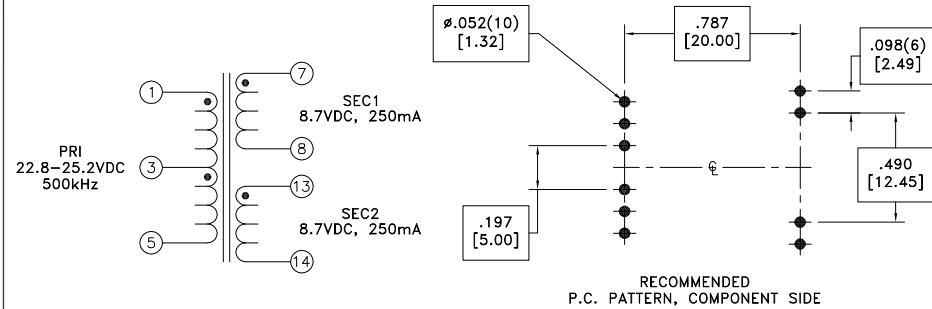
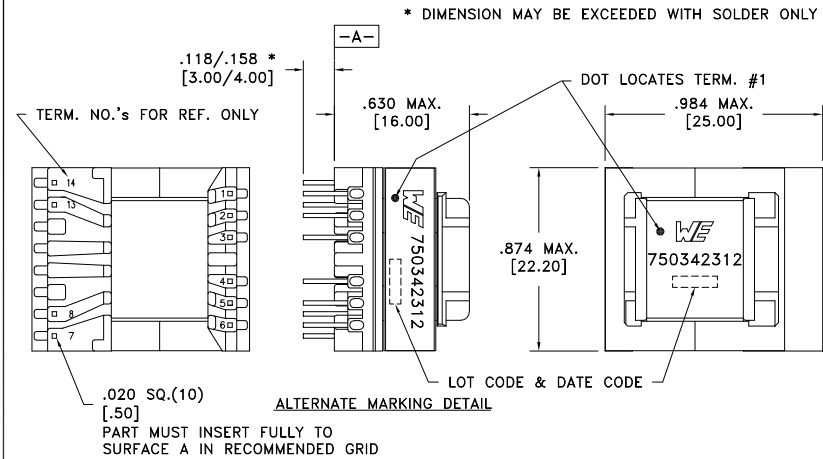


CUSTOMER TERMINAL	RoHS	LEAD(Pb)-FREE
Sn96%, Ag4%	Yes	Yes

more than you expect



ELECTRICAL SPECIFICATIONS @ 25°C unless otherwise noted:

PARAMETER	TEST CONDITIONS	VALUE
D.C. RESISTANCE	1-5 @20°C	0.295 ohms max.
D.C. RESISTANCE	7-8 @20°C	0.069 ohms max.
D.C. RESISTANCE	13-14 @20°C	0.073 ohms max.
INDUCTANCE	1-5 50kHz, 100mVAC, Ls	90.75uH min.
DIELECTRIC	1-14 tie(8+13), 3750VAC, 1 second	-
DIELECTRIC	1-Core 1875VAC, 1 second	-
DIELECTRIC	14-Core tie(8+13), 1875VAC, 1 second	-
DIELECTRIC	8-13 1875VAC, 1 second	-
URNS RATIO	(1-5):(7-8)	5.5:1, ±2%
URNS RATIO	(1-5):(13-14)	5.5:1, ±2%
URNS RATIO	(1-3):(3-5)	1:1, ±2%

GENERAL SPECIFICATIONS:

OPERATING TEMPERATURE RANGE: -40°C to +125°C including temp rise.

Designed to comply with the following requirements as defined by IEC61800-5-1:
 - Reinforced insulation for a primary circuit at a working voltage of 25.2VDC.

Wire insulation & RoHS status not affected by wire color.
 Wire insulation color may vary depending on availability.

REV.	DATE	Packaging Specifications Method: Tray PKG-0736 www.we-online.com/midcom		Tolerances unless otherwise specified: Angles: ±1° Fractions: ±1/64 Decimals: ±.005 [.13] Footprint: ±.001 [.03]	DRAWING TITLE TRANSFORMER	PART NO. 750342312
6A	7/14	SEE REVISION SHEET FOR REVISION LEVEL	CONVENTION PLACEMENT	This drawing is dual dimensioned. Dimensions in brackets are in millimeters.	eiSos p/n: 750342312	SPECIFICATION SHEET 1 OF 1