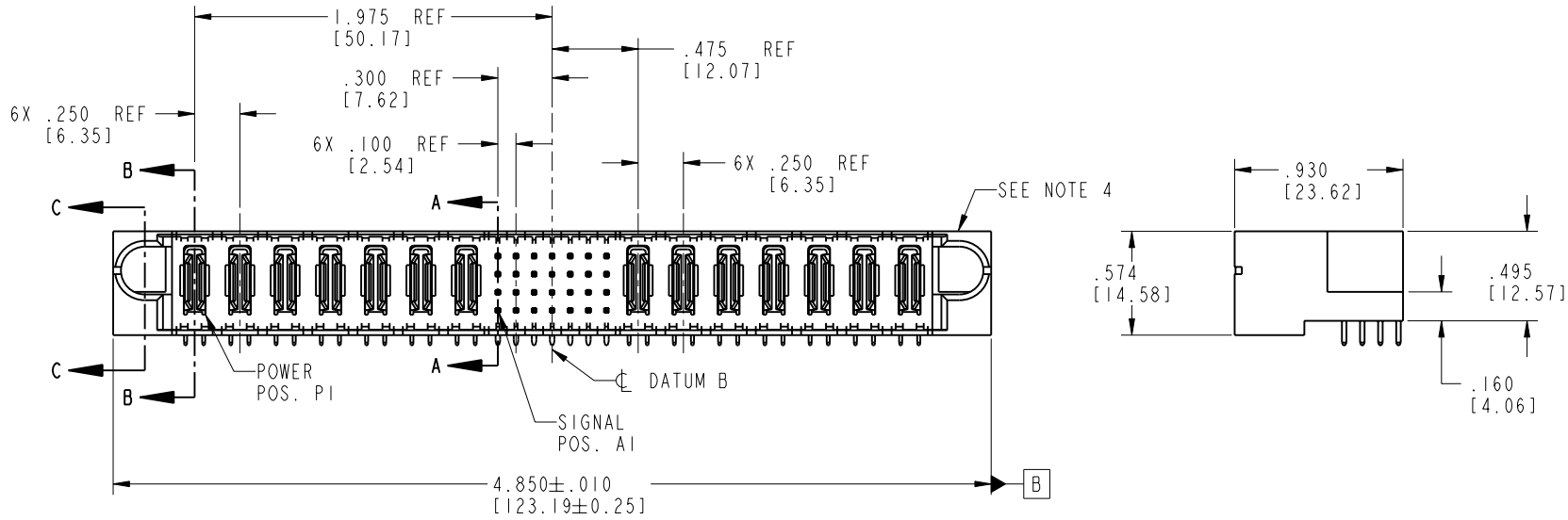
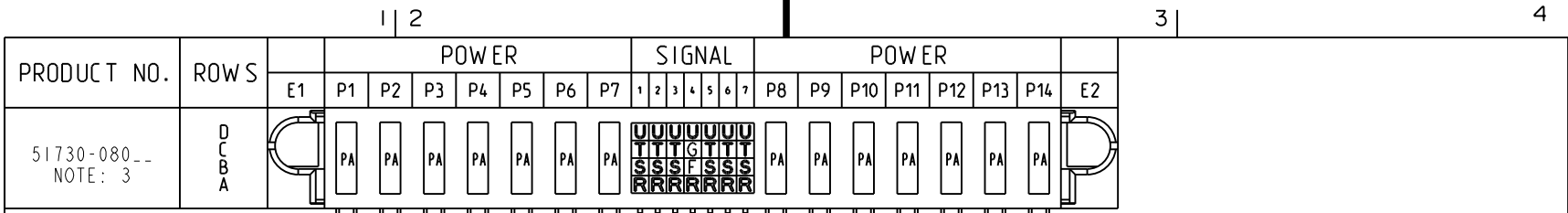


Tous droits strictement réservés. Reproduction ou communication o des liens interdite sous quelque forme que ce soit sans autorisation écrite du propriétaire. Propriété de c FCI. Droits de reproduction FCI.

All rights strictly reserved. Reproduction or issue to third parties in any form whenever is not permitted without written authority from the proprietor. Property of FCI. Copyright FCI.



CODE	DIM "M" MATING LENGTH		CONTACT TYPE
PA	N/A	[N/A]	POWER
U	.270	[6.86]	SIGNAL
T	.270	[6.86]	SIGNAL
S	.270	[6.86]	SIGNAL
R	.270	[6.86]	SIGNAL
G	.220	[5.59]	SIGNAL
F	.220	[5.59]	SIGNAL

mat'l code				tolerances unless otherwise specified		CUSTOMER	
SEE NOTE 2						COPY	
ltr	ecn no.	dr	date	linear	projection		
A	V03-0756	TAB	07/09/03	.XX±.01/0.X±0.3			
B	DG05-0501	GuoJM	11/24/05	.XXX±.005/0.XX±0.13			
				.XXX±.0020/0.XXX±0.051			
				angles	INCH/MM		
				dr	T. BRUNGARD	07/09/03	scale 1:1
				engr	M. MOSTOLLER	07/09/03	
				chr	M. MOSTOLLER	07/09/03	
				appd	M. MOSTOLLER	07/09/03	
sheet index	revision sheet	B	B	B	B		
		1	2	3	4		

A FCI		www.fciconnect.com	
title		7P + 28S + 7P	
product family		PwrBlade	
code	213		
size	A		
dwg no	51730-080		
sheet	1 of 4		

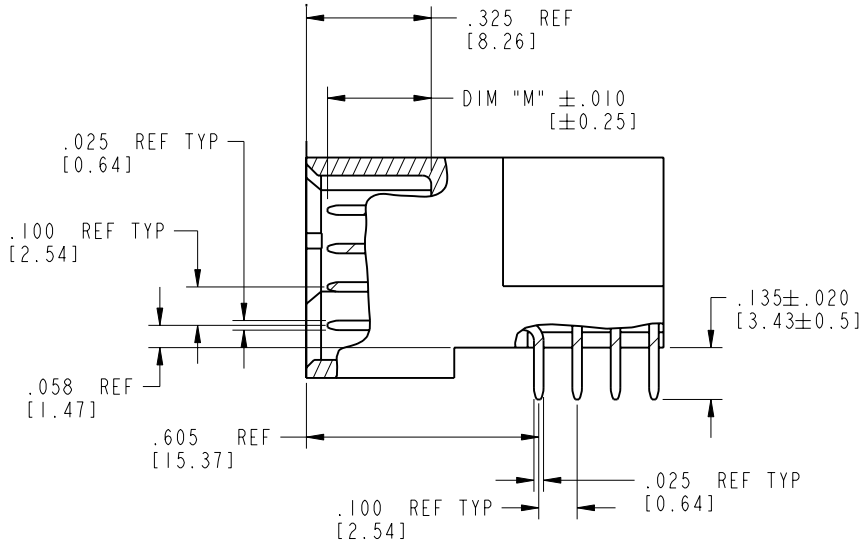
coge code 22526

Pro/E

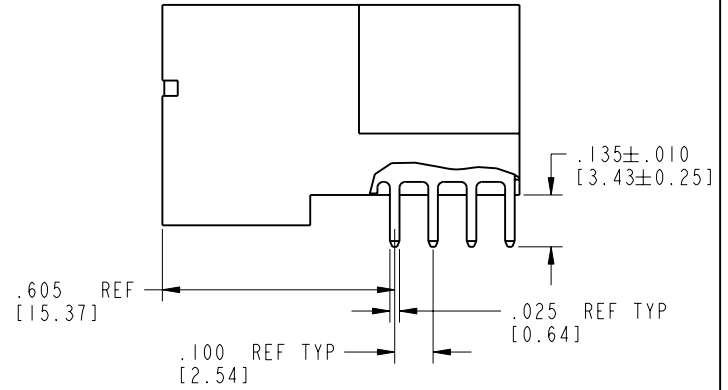
Tous droits strictement réservés. Reproduction ou communication o des liens interdite sous quelque forme que ce soit sans autorisation écrite du propriétaire. Propriété de c FCI. Droits de reproduction FCI.

All rights strictly reserved. Reproduction or issue to third parties in any form, whatever is not permitted without written authority from the proprietor. Property of FCI. Copyright FCI.

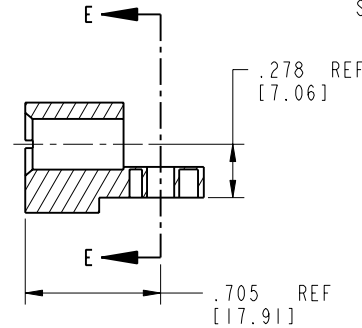
PRODUCT NUMBER  
51730-080\_\_  
NOTE: 3



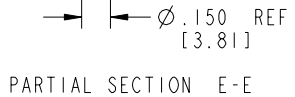
BROKEN-OUT SECTION A-A  
SCALE 2:1



BROKEN-OUT SECTION B-B  
SCALE 2:1



SECTION C-C



PARTIAL SECTION E-E

mat'l code				SEE NOTE 2		tolerances unless otherwise specified		CUSTOMER		 www.fciconnect.com	
ltr	ecn no.	dr	date	linear	.XX±.01/0.X±0.3		COPY		 title 7P + 28S + 7P		
B					.XXX±.005/0.XX±0.13		INCH/MM		 RIGHT ANGLE SOLDER HEADER		
					.XXX±.0020/0.XXX±0.051		scale		product family PwrBlade code 213		
					° ± °		1:1		size dwg no 51730-080		
					° ± °				sheet 2 of 4		
				dr	T. BRUNGARD	07/09/03					
				engr	M. MOSTOLLER	07/09/03					
				chr	M. MOSTOLLER	07/09/03					
				appd	M. MOSTOLLER	07/09/03					
sheet index	revision sheet										

cage code 22526

Pro/E

PDM: Rev:B

STATUS: Released

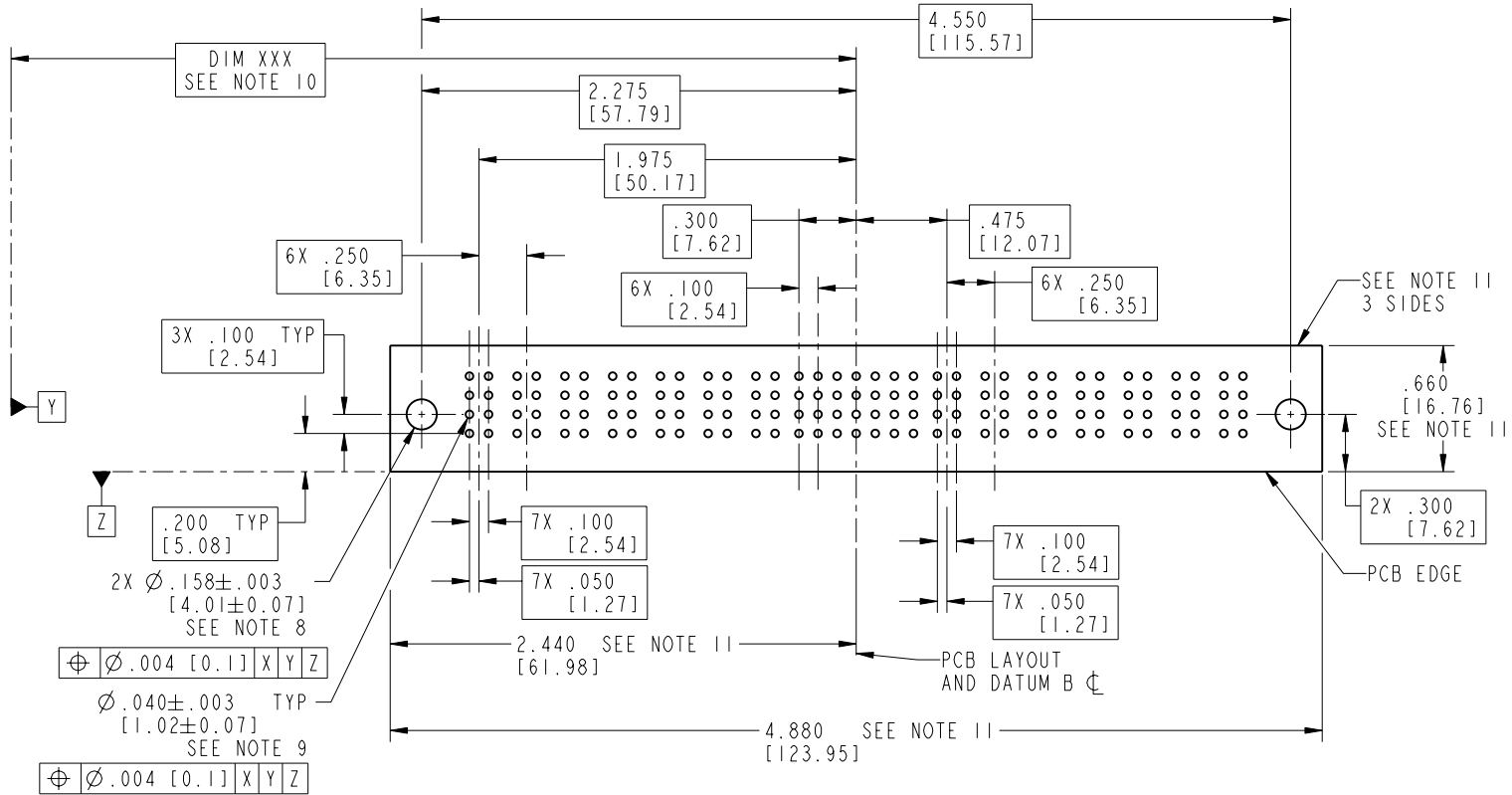
Printed: Dec 20, 2010

Tous droits strictement réservés. Reproduction ou communication o des liens interdite sous quelque forme que ce soit sans autorisation écrite du propriétaire. Propriété de c FCI. Droits de reproduction FCI.

All rights strictly reserved. Reproduction or issue to third parties in any form, whatever is not permitted without written authority from the proprietor. Property of FCI. Copyright FCI.

PRODUCT NUMBER

51730-080\_\_  
NOTE: 3



RECOMMENDED PCB LAYOUT

mat'l code				SEE NOTE 2		tolerances unless otherwise specified		CUSTOMER		 www.fciconnect.com	
ltr	ecn no.	dr	date	linear	.XX±.01/0.X±0.3	projection	COPY		title		
B				angles	.XXX±.005/0.XXX±0.13				7P + 28S + 7P		
				dr	.XXXX±.0020/0.XXX±0.051	INCH/MM			RIGHT ANGLE SOLDER HEADER		
				enrg	0° ± 2°	scale	INCH/MM		product family		code
				chr	T. BRUNGARD 07/09/03	1:1			PwrBlade		213
				appd	M. MOSTOLLER 07/09/03				size		sheet
					M. MOSTOLLER 07/09/03				dwg no		3 of 4
sheet index	revision sheet								A 51730-080		

cage code 22526

Pro/E

PDM: Rev:B

STATUS: Released

Printed: Dec 20, 2010

Tous droits strictement réservés. Reproduction ou communication o des liers interdite sous quelque forme que ce soit sans autorisation écrite du propriétaire. Propriete de c FCI. Droits de reproduction FCI.

**A** **FCI**

All rights strictly reserved. Reproduction or issue to third parties in any form, whenever is not permitted without written authority from the proprietor. Property of FCI. Copyright FCI.

A

B

**PRODUCT NUMBER**

51730-080\_\_  
NOTE: 3

**NOTES:**

1. DIMENSIONS AND TOLERANCES ARE IN ACCORDANCE WITH ASME Y14.5M, 1994 UNLESS OTHERWISE SPECIFIED.

**CONNECTOR NOTES:**

2. HOUSING MATERIAL: UL 94 V-0 GLASS FILLED HIGH-TEMP THERMOPLASTIC  
POWER CONTACT MATERIAL: COPPER ALLOY  
SIGNAL PIN MATERIAL: COPPER ALLOY

**3. PLATING:**

51730-080 Singal Pin:30u"/0.76um Au OVER 50u"/1.27um Ni ON THE CONTACT AREA,  
AND 100u"/2.54um SnPb PLATING OVER 50u"/1.27um Ni ON THE TERMINATION SECTION.  
Power Pin:30u"/0.76um Au OVER 50u"/1.27um Ni ON THE CONTACT AREA,  
AND 100u"/2.54um SnPb PLATING OVER 50u"/1.27um Ni ON THE TERMINATION SECTION.

51730-080LF Singal Pin:30u"/0.76um Au OVER 50u"/1.27um Ni ON THE CONTACT AREA,  
AND 78u"/2.00um Sn PLATING OVER 50u"/1.27um Ni ON THE TERMINATION SECTION.  
Power Pin:30u"/0.76um Au OVER 50u"/1.27um Ni ON THE CONTACT AREA,  
AND 78u"/2.00um Sn PLATING OVER 50u"/1.27um Ni ON THE TERMINATION SECTION.

PART NUMBER 51730-080LF MEETS EUROPEAN UNION DIRECTIVE AND JOTHER COUNTRY REGULATIONS AS DESCRIBED IN GS-22-008.

THE HOUSING WILL WITHSTAND EXPOSURE TO 260° PEAK TEMPERATURE FOR 10 SECONDS IN A WAVE SOLDER APPLICATION WITH A CIRCUIT BOARD.

4. MANUFACTURER'S NAME, P/N, AND DATE CODE TO APPEAR ON THIS SURFACE.

5. PRODUCT SPECIFICATION GS-12-149.  
APPLICATION SPECIFICATION BUS-20-067.

6. PACKAGED IN TRAYS.

PCB NOTES:


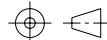
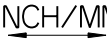
7. ALL HOLE DIAMETERS ARE FINISHED HOLE SIZE.

8. MOUNTING HOLES, WHERE APPLICABLE, ARE UNPLATED.

9.  $\varnothing .0453 \pm .0010$  [1.151 $\pm$ 0.025] DRILLED HOLES PLATED WITH .0003 [0.008] MIN SnPb OVER .001 [0.03] TO .003 [0.08] Cu PLATING TO ACHIEVE  $\varnothing .040 \pm .003$  [1.02 $\pm$ .07] HOLE.

10. "DIM XXX" TO BE DETERMINED BY THE CUSTOMER.

11. CONNECTOR KEEP-OUT ZONE.

mat'l code		SEE NOTE 2		tolerances unless otherwise specified		CUSTOMER		 <b>FCI</b> <a href="http://www.fciconnect.com">www.fciconnect.com</a>	
ltr	ecn no.	dr	date	linear	.XX $\pm$ .01/0.X $\pm$ 0.3	COPY		title 7P + 28S + 7P	
B				projection	.XXX $\pm$ .005/0.XX $\pm$ 0.13			RIGHT ANGLE SOLDER HEADER	
				angles	.XXX $\pm$ .0020/0.XXX $\pm$ 0.051			product family PwrBlade code 213	
		dr	T. BRUNGARD 07/09/03	scale	0° + 2°	INCH/MM		size dwg no	
		enrg	M. MOSTOLLER 07/09/03	1:1		A		51730-080	
		chr	M. MOSTOLLER 07/09/03					sheet 4 of 4	
		appd	M. MOSTOLLER 07/09/03						
sheet index	revision sheet								

coge code 22526

Pro/E

3

4

**PDM: Rev:B**

STATUS: **Released**

Printed: Dec 20, 2010

A

B