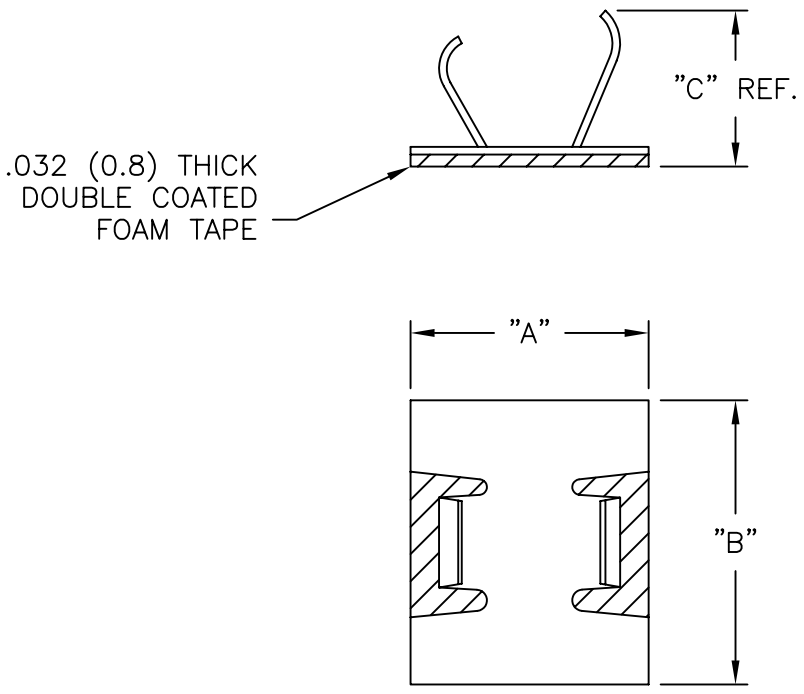


PART NO.	"A"	"B"	"C" REF.	MAX. BUNDLE DIA.
ASK-3	.44 (11.3)	.66 (16.8)	3/8 (9.5)	15/64 (6.0)
ASK-6	.62 (15.7)	.74 (18.8)	9/16 (14.3)	3/8 (9.5)



- NOTES:
1. MATERIAL: ALUMINUM (RMS-194); BRIGHT FINISH
 2. COLOR: SILVER.
 3. POLYURETHANE ADHESIVE TAPE (RMS-99)

			TITLE: ALUMINUM STICKY KLIP			DWG IN IN (MM)		FINAL			
E	SEE ECN #1254 FOR CHANGES	SK 11.29.06	TOLERANCES UNLESS NOTED .XX=±.010 .XXX=±.005 FRAC=±1/64 ANG=±1°	FILE # ASK	DWN: P.B.	APP:	PART #		PRINT TYPE		
D	SEE ECN #932 FOR CHANGES	SK 02.01.05		MAT'L: ALUMINUM	DT: 06-19-95	DT:					SEE TABLE
C	CHANGED FILE NO.	SM 03.22.02		RE: RICHCO, INC.	RICHCO INC.						
B	TAPE CHANGED TO (RMS-99)	J.L. 11.4.98		PO BOX 804238, CHICAGO, 60680		(773) 539-4060					
A	DIM 15/64 (6.0) WAS 15/64 (5.9)	PB 08.17.95									
REV	DESCRIPTION	ENGR DATE									