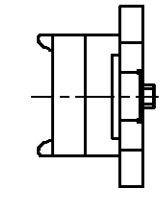
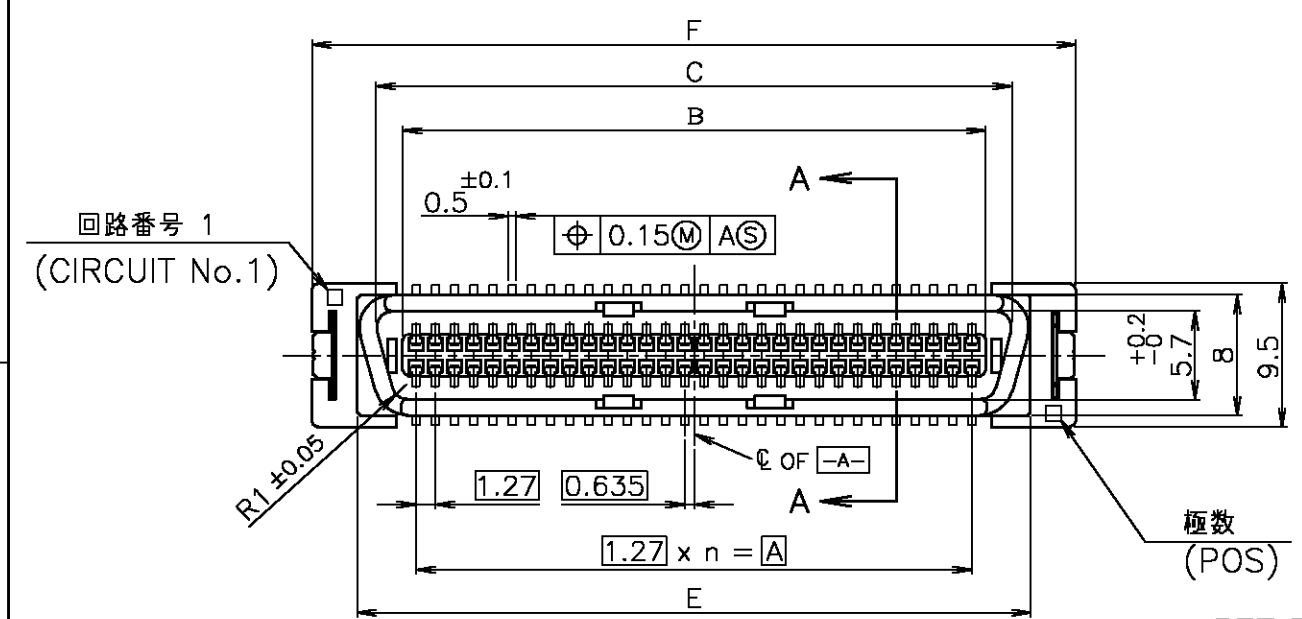
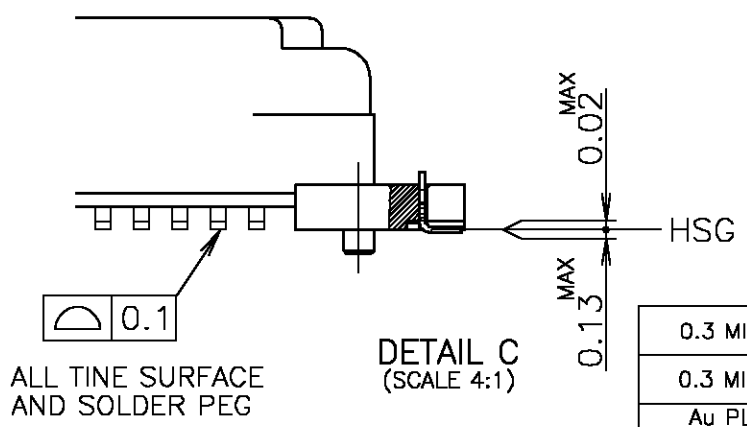
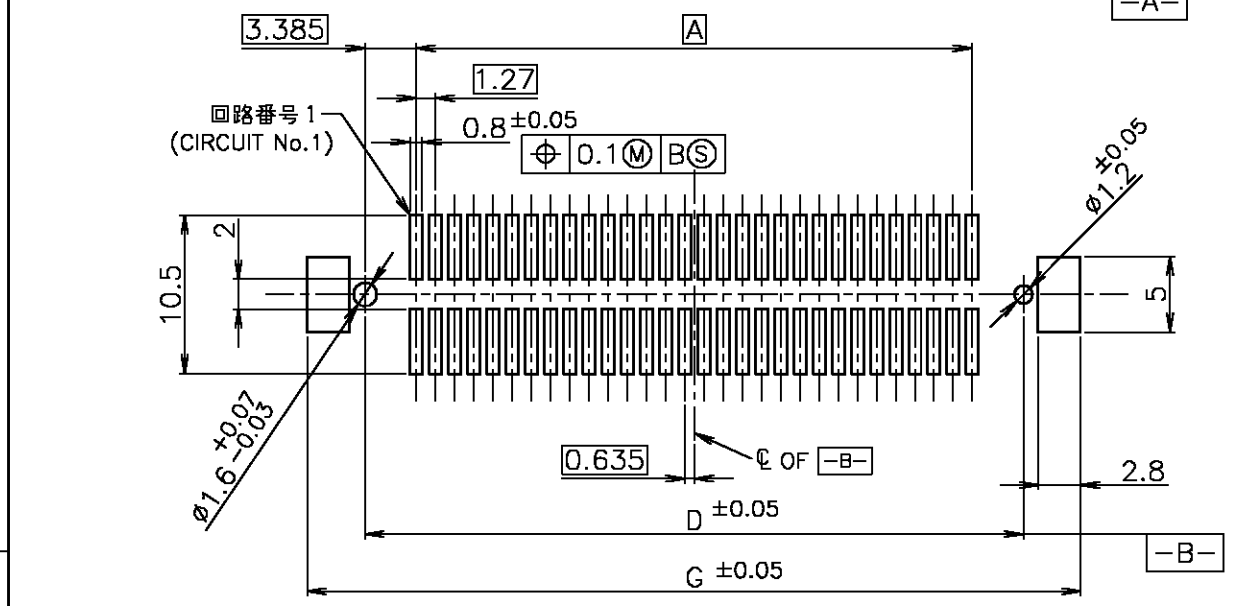
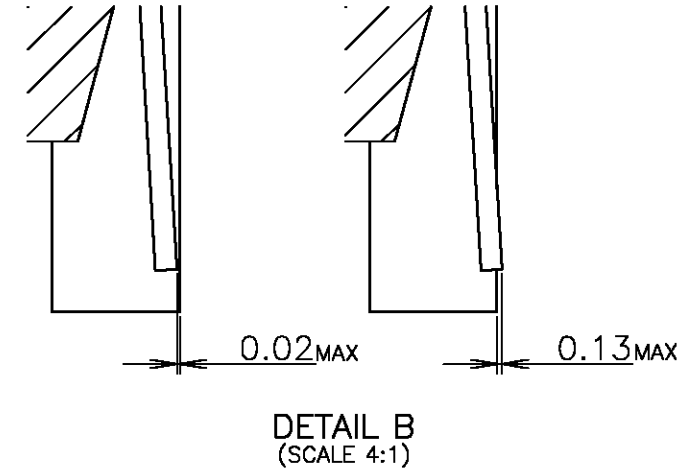
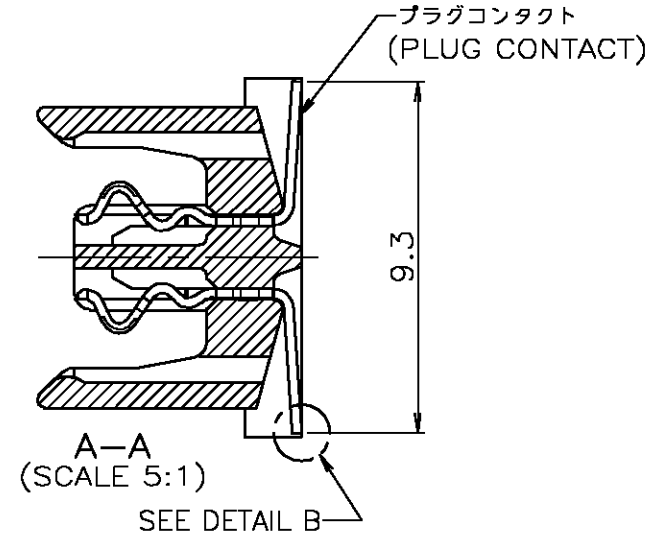
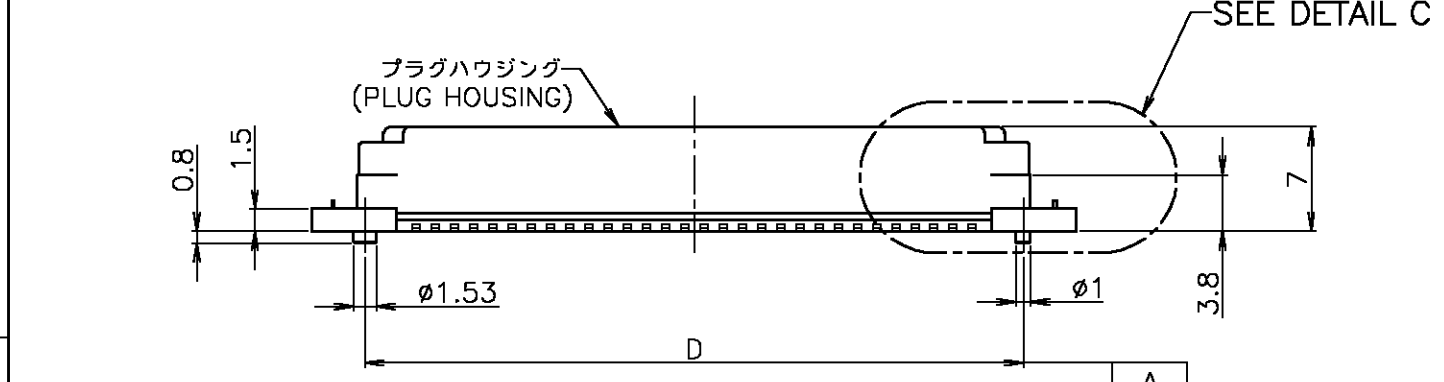


THIS DRAWING IS UNPUBLISHED. RELEASED FOR PUBLICATION  
 © COPYRIGHT BY TYCO ELECTRONICS CORPORATION. ALL RIGHTS RESERVED.

LOC	DIST	REVISIONS					
		P	LTR	DESCRIPTION	DATE	DWN	APVD
J			D	REVISED (FJBO-0191-03)	12MAR03	T.K	Y.Y



NOTE:  
 ① MATERIAL: HOUSING : THERMOPLASTIC (UL 94V-0) BLACK.  
 CONTACT : COPPER ALLOY  
 SOLDER PEG : COPPER ALLOY  
 ② FINISH: CONTACT: Au PL. CONTACT AREA.  
 TIN LEAD PL. AT TINE AREA, OVER Ni UNDER PL.  
 SOLDER PEG: TIN LEAD PL., OVER Ni UNDER PL.  
 注記:  
 ① 材料: ハウジング: 熱可塑性樹脂 (UL 94V-0) 色、黒。  
 コンタクト: 銅合金  
 ソルダーペグ: 銅合金  
 ② 表面仕上げ: コンタクト: ニッケル下地めっきに 接触部金めっき、脚部はんだめっき  
 ソルダーペグ: 全面ニッケル下地めっき上にはんだめっき



0.3 MIN.	63.9	63.3	57.3	56.3	54.77	51.33	49.53	39	80	179656-3
0.3 MIN.	51.2	50.6	44.6	43.6	42.07	38.63	36.83	29	60	179656-2
Au PL THICKNESS (#m)	G	F	E	D	C	B	A	n	POS	P/N

RECOMMENDED P.C.B LAYOUT  
(CONNECTOR MOUNT SIDE)

TOLERANCES UNLESS OTHERWISE SPECIFIED  
 一般公差  
 10 ≥ : ± 0.2  
 30 ≥ > 10 : ± 0.25  
 100 ≥ > 10 : ± 0.3  
 ANGLES ± 3°

THIS DRAWING IS A CONTROLLED DOCUMENT.

DIMENSIONS: MM	TOLERANCES UNLESS OTHERWISE SPECIFIED:
0 PLC ± -	1 PLC ± -
2 PLC ± -	3 PLC ± -
4 PLC ± -	ANGLES ± -
MATERIAL ①	FINISH ②

DWN T.KAWAMAE	20DEC02		Tyco Electronics AMP K.K.			
CHK H.SHIRAI	20DEC02		Kawasaki, Japan			
APVD Y.YAMAMOTO	20DEC02		AMP FH CONNECTOR			
PRODUCT SPEC			PLUG, SMT, WITH SOLDER PEG			
APPLICATION SPEC		108-5309	SIZE	CAGE CODE	DRAWING NO	RESTRICTED TO
WEIGHT		A3	00779	C=179656		
CUSTOMER DRAWING			SCALE NTS	SHEET 1 OF 1	REV D	

OBsolete NOT THE LATEST REVISION