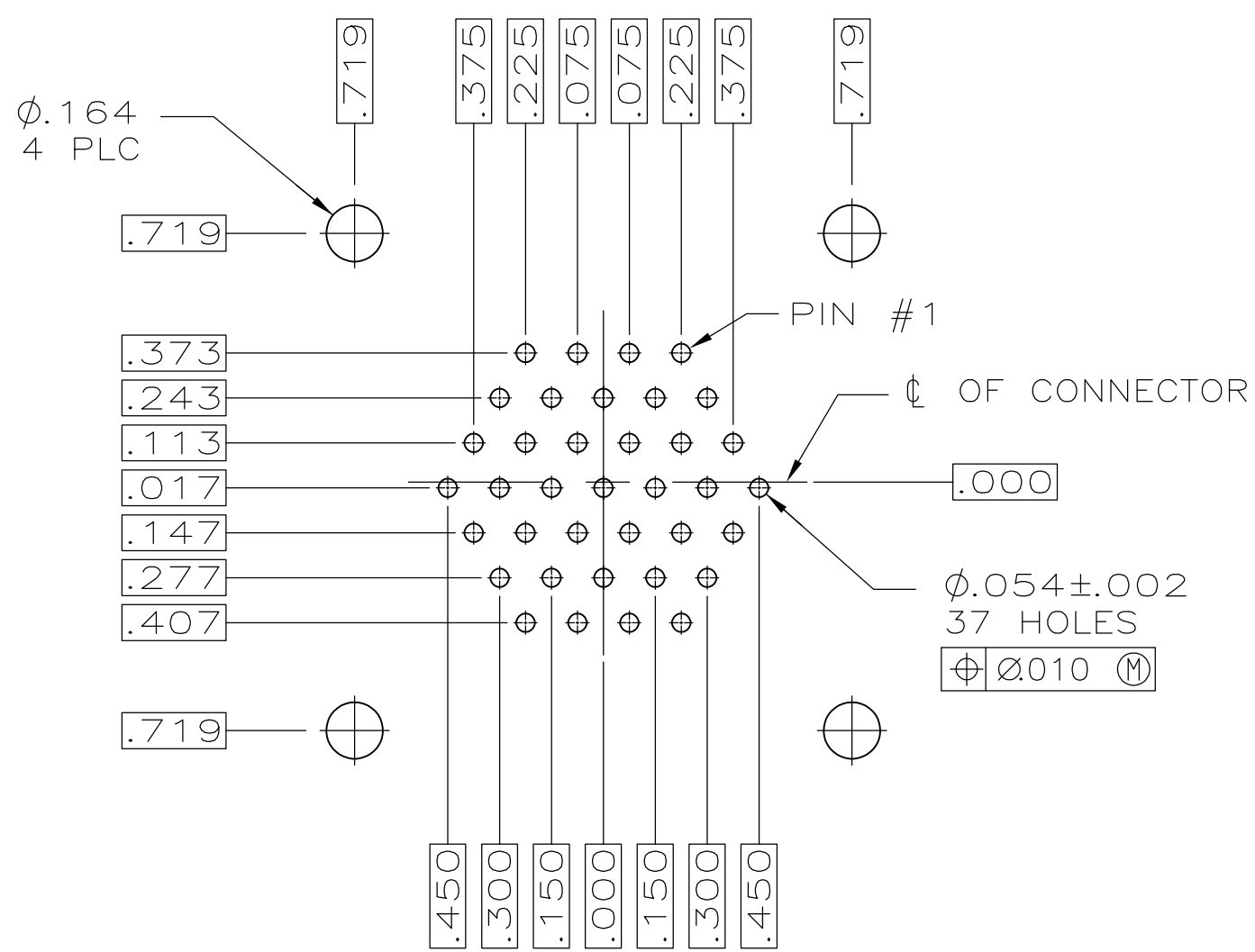
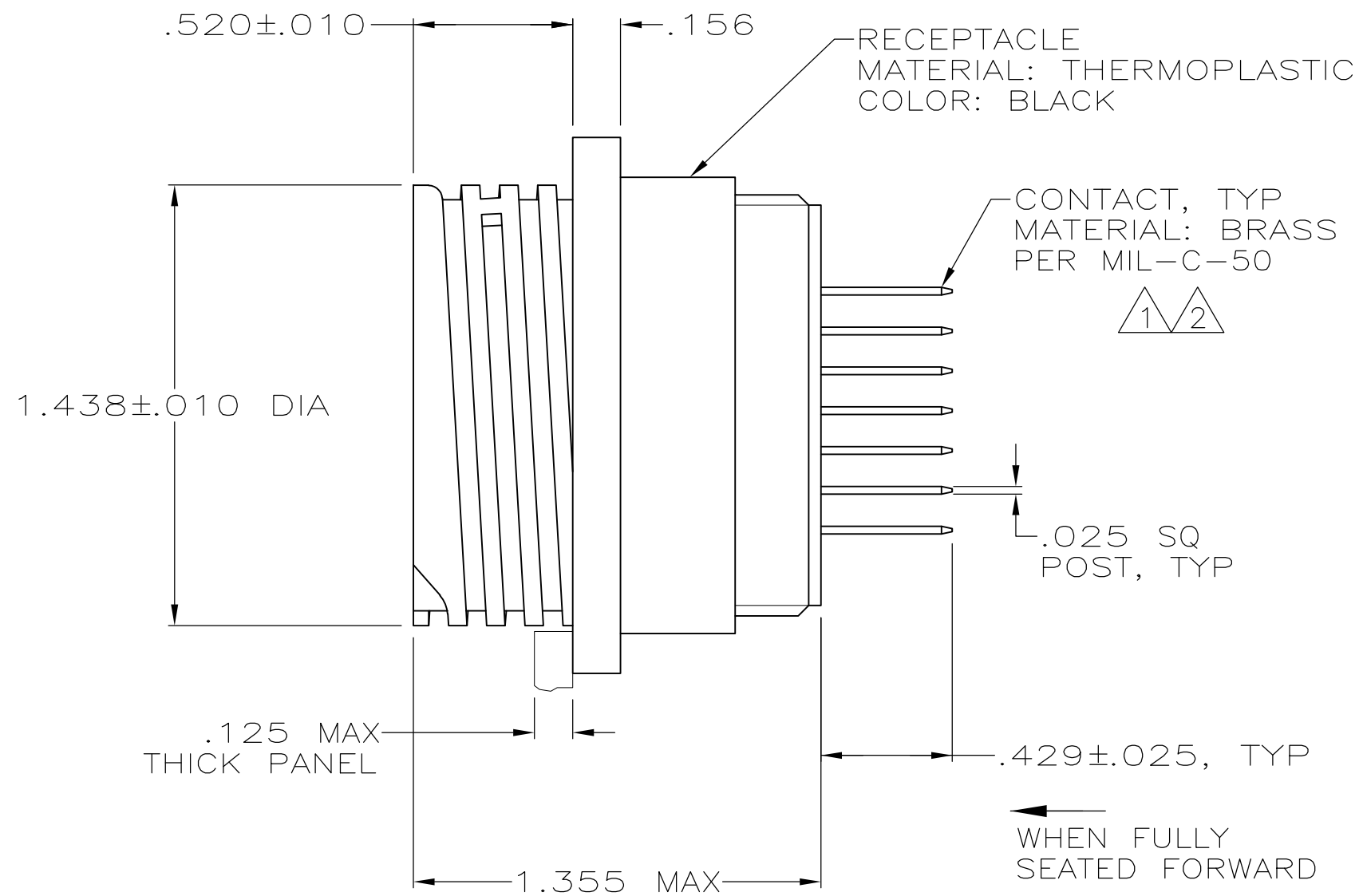
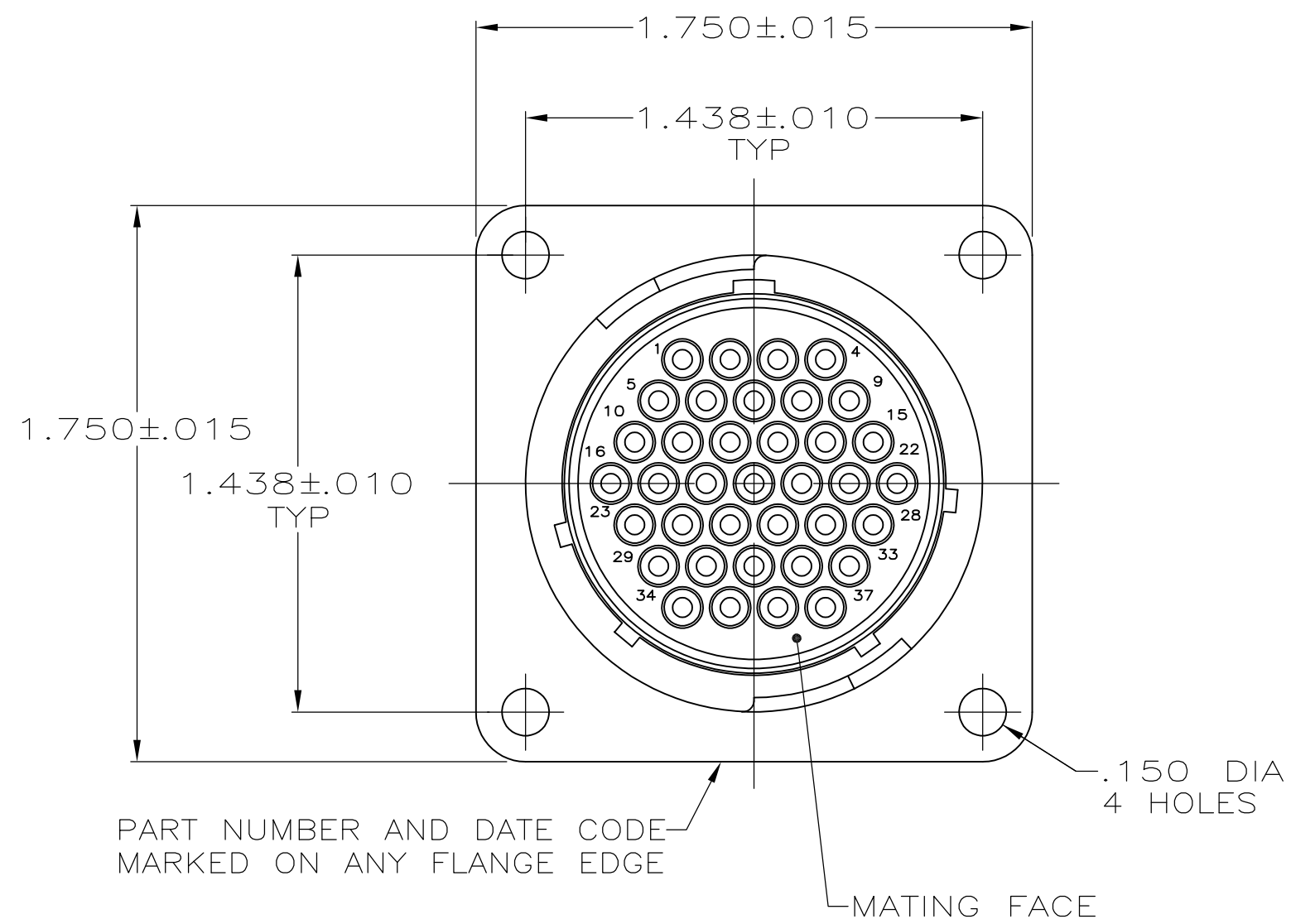


THIS DRAWING IS UNPUBLISHED. RELEASED FOR PUBLICATION
 © COPYRIGHT - By - ALL RIGHTS RESERVED.

REVISIONS				
P	LTR	DESCRIPTION	DATE	APVD
D1		REVISED PER ECO-16-004800	08SEP2016	NK MZ



- 1 CONTACTS, TYPE III+ PIN, PART NUMBER 66460-2.
- 2 CONTACTS, TYPE III+ PIN, PART NUMBER 6-66460-7.
- 3 CONTACTS TIN-LEAD PLATED PER MIL-T-10727.
- 4 CONTACTS TIN PLATED.

OBSOLETE	4	208132-2
	3	208132-1
	POST FINISH	PART NUMBER

RECOMMENDED P.C. BOARD LAYOUT

THIS DRAWING IS A CONTROLLED DOCUMENT.		DWN 5-30-91 J GALLUCCI BG	TE Connectivity	
DIMENSIONS: INCHES		CHK 4-14-92 W.G.LENKER	RECEPTACLE ASSEMBLY, POSTED, STD SEX, SERIES 1, 23-37, CPC	
TOLERANCES UNLESS OTHERWISE SPECIFIED:		APVD -	SIZE A2	CAGE CODE 00779
0 PLC ± -		PRODUCT SPEC 108-10024	DRAWING NO C-208132	RESTRICTED TO -
1 PLC ± -		APPLICATION SPEC -	SCALE 2:1	SHEET 1 of 1
2 PLC ± -		WEIGHT -	REV D1	
3 PLC ± .005		CUSTOMER DRAWING		
4 PLC ± -				
ANGLES ± -				
FINISH -				