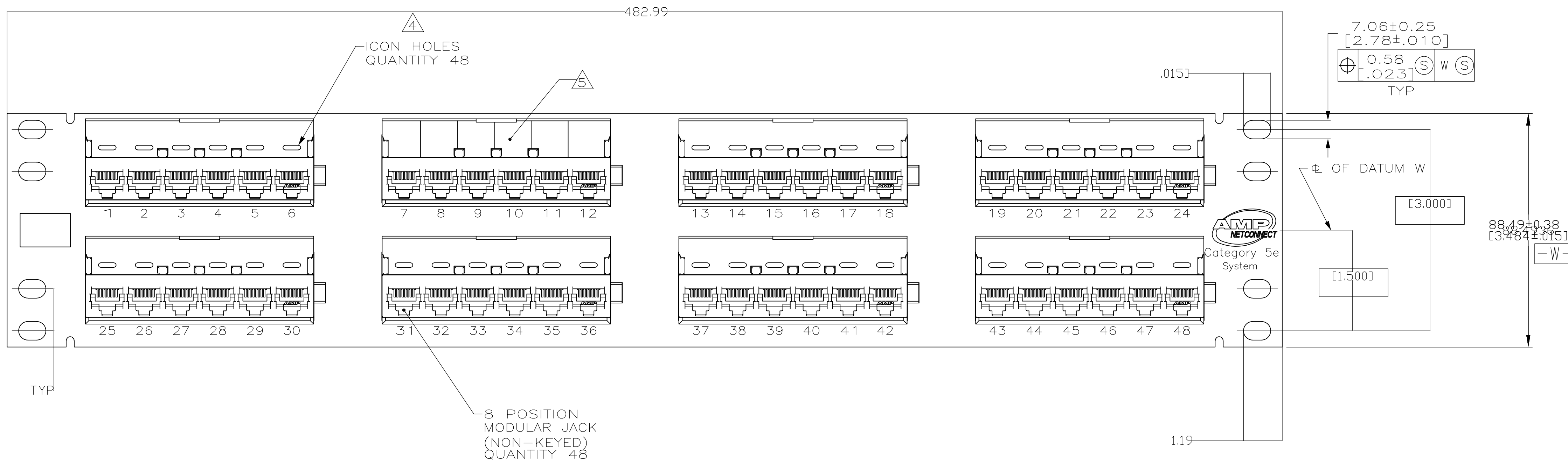
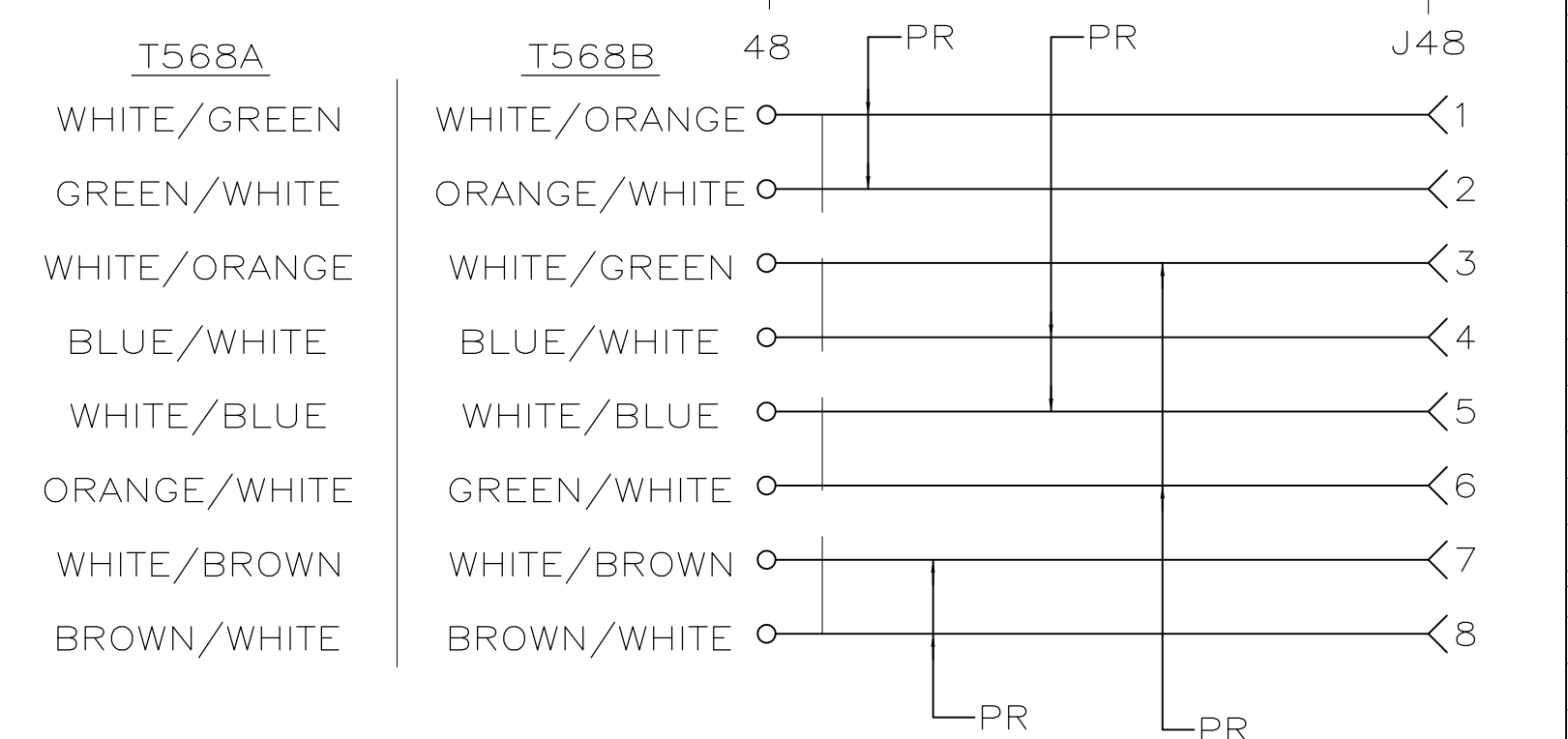
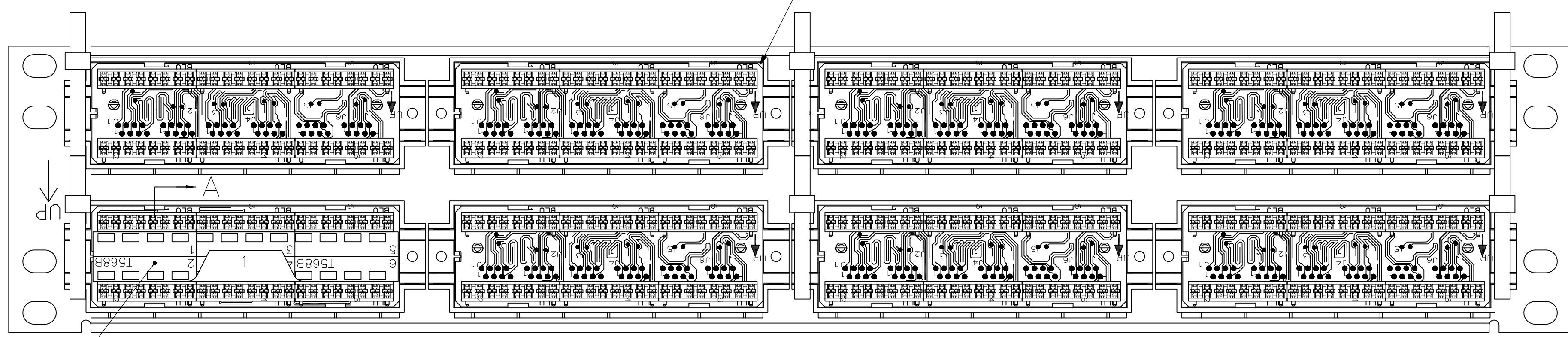
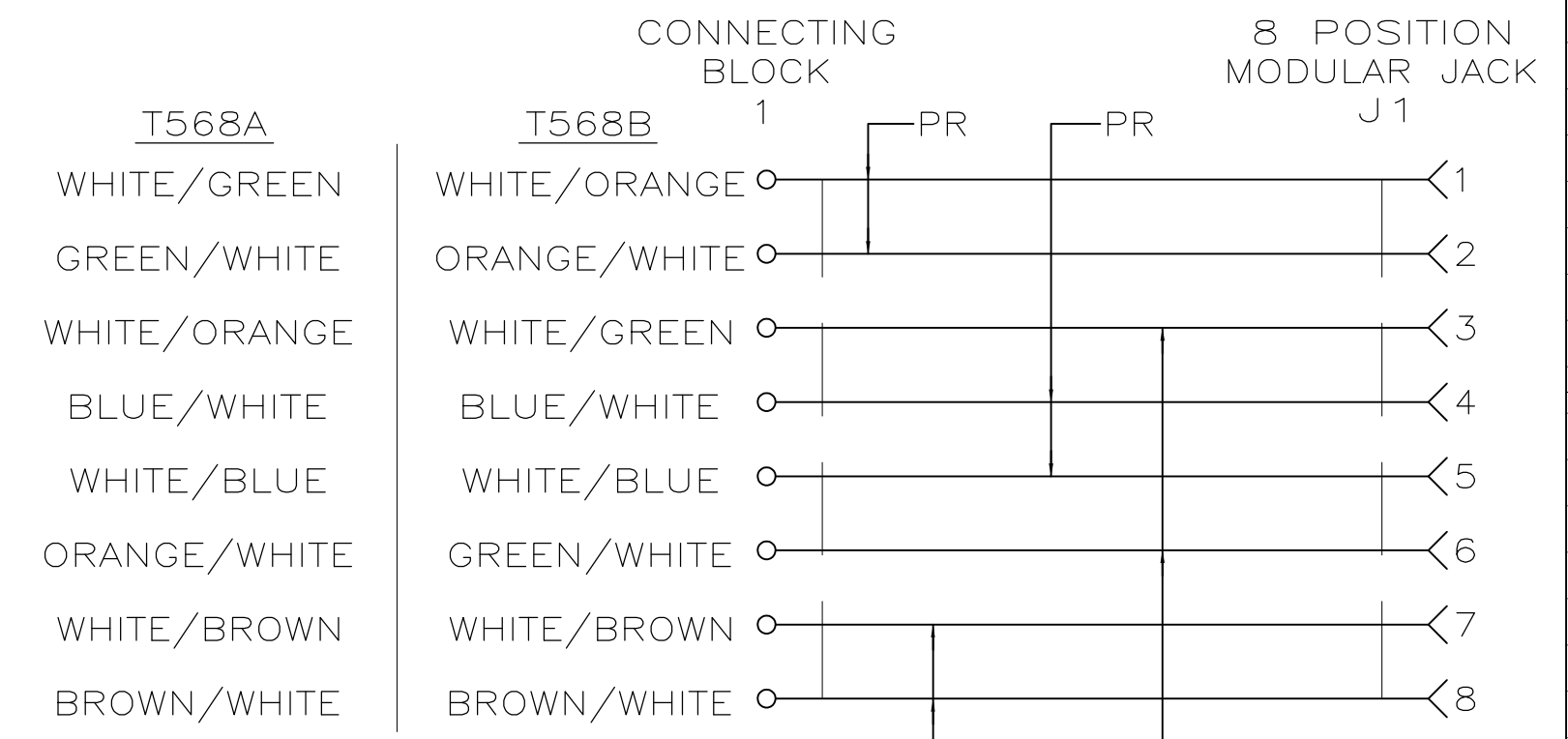
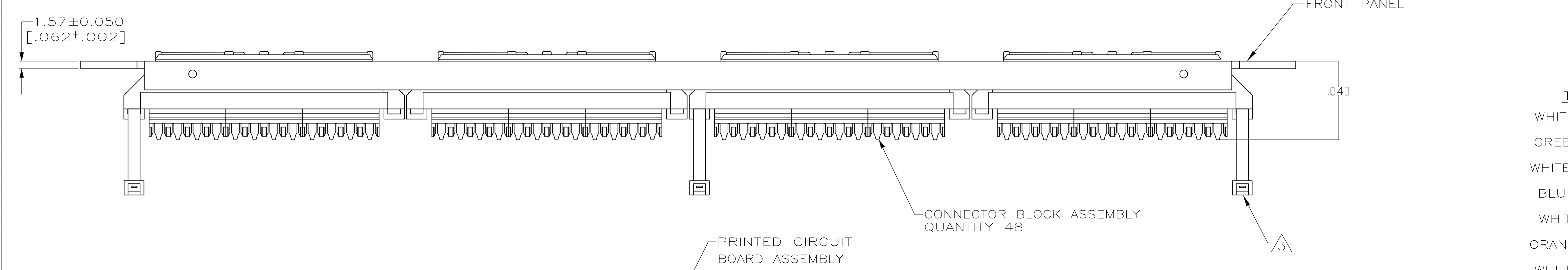


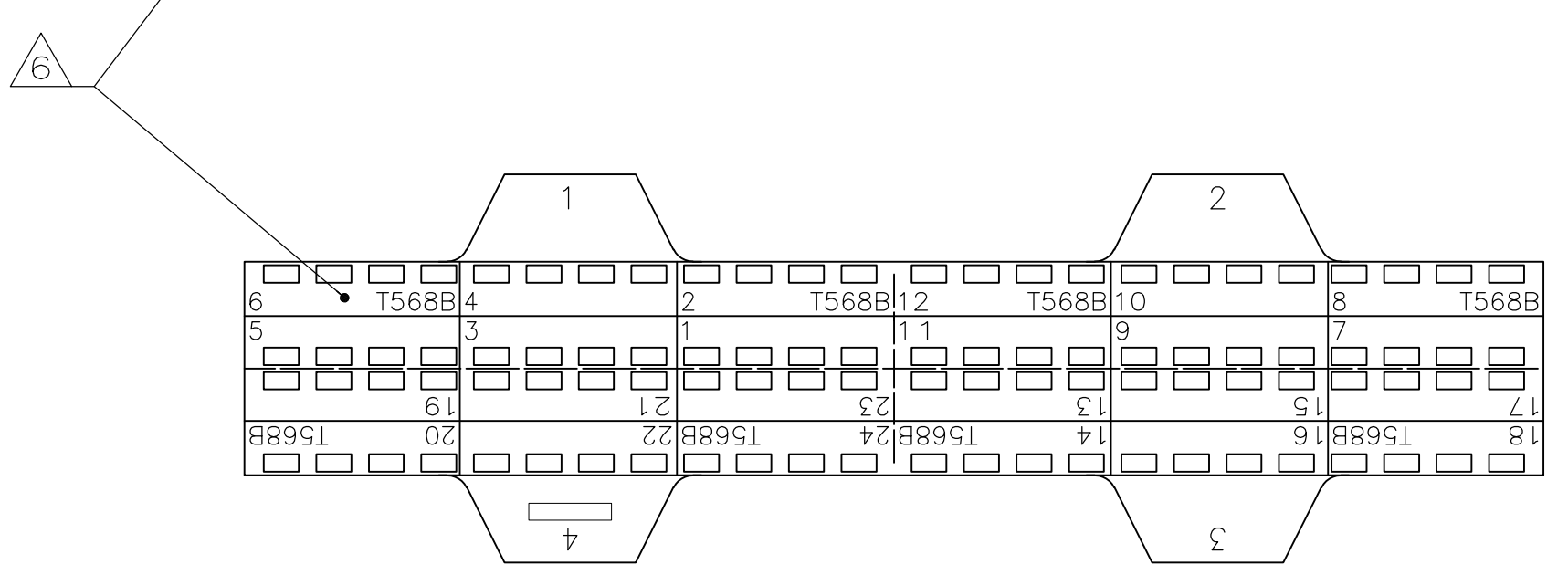
LOC	DIST	REVISIONS			
F	LTR	DESCRIPTION	DATE	DRN	APVD
E		ECO-08-012437	30MAY08	LDS	SH



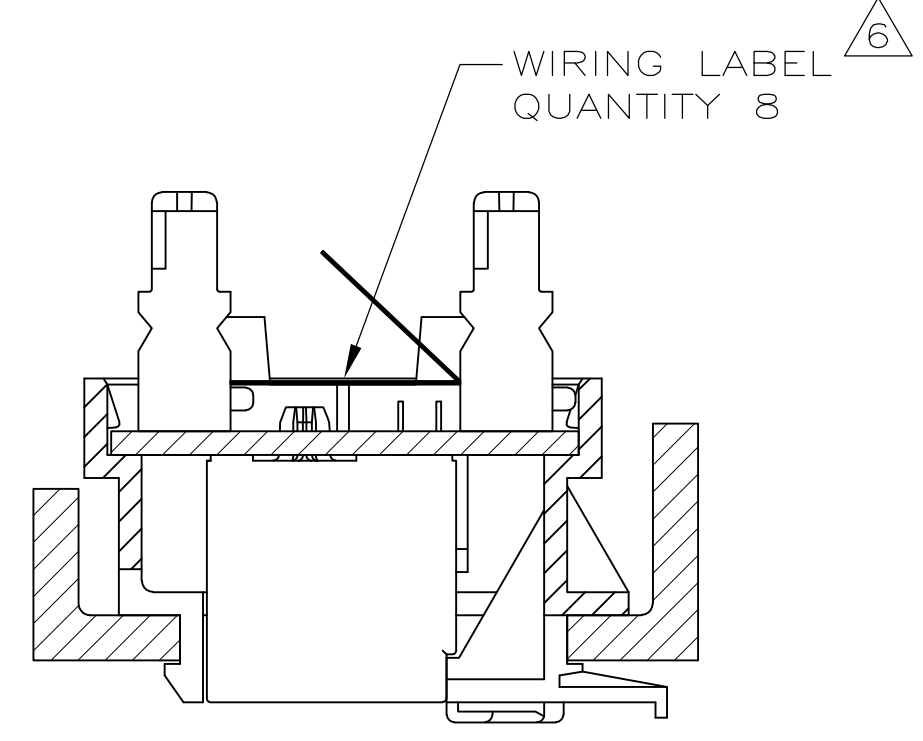
- 1 MATERIAL: PANEL - BLACK POWDER COAT STEEL WITH WHITE MARKINGS. PRINTED CIRCUIT BOARD - LAMINATED PLASTIC SUBSTRATE, 1.57[.062] THICK.
2. MOUNTING HARDWARE INCLUDED EACH ASSEMBLY: FOUR, 10-32X50 TRILOBULAR SCREWS W/CAPTIVE STARWASHER. FOUR, 12-24X50 TRILOBULAR SCREWS W/CAPTIVE STARWASHER.
- 3 SIX RELEASEABLE CABLE TIES, SHOWN ASSEMBLED, USED FOR CABLE ORGANIZATION/ROUTING ARE SHIPPED LOOSE.
- 4 ICONS MAY BE PURCHASED SEPARATELY.
- 5 ONE SHEET OF BEZEL LABELS AND TWO SHEETS OF CLEAR LABEL COVERS ARE SHIPPED LOOSE. ONE LABEL SHOWN INSTALLED AT LOCATION INDICATED.
- 6 TWO SHEETS OF FOUR 110 CONNECTOR UNIVERSAL WIRING LABELS ARE SHIPPED LOOSE. ONE SIDE IS FOR T568A WIRING AND THE OPPOSITE SIDE FOR T568B WIRING. ONE LABEL SHOWN INSTALLED AT LOCATION INDICATED.



ELECTRICAL SCHEMATIC
T568A OR T568B



T568B SIDE
110 CONNECTOR UNIVERSAL
WIRING LABELS



SECTION A-A
ROTATED 90° CCW
SCALE 2:1

406331-1
PART NUMBER

THIS DRAWING IS A CONTROLLED DOCUMENT.		DRN L HALL 14AUG00	Tyco Electronics Corporation Harrisburg, PA 17105-3608
DIMENSIONS: mm [INCHES]		CHK S. HERNDON 14AUG00	
TOLERANCES UNLESS OTHERWISE SPECIFIED:		NAME S. HERNDON 14AUG00	PRODUCT SPEC
0. PLC ± -		SIZE	PANEL ASSEMBLY, 48 PORT RJ45, UNIVERSAL WIRING, CATEGORY 5, ENHANCED
1. PLC ± -		CAGE CODE	DRAWING NO
2. PLC ± -		WEIGHT	A1 00779 ©=406331
3. PLC ± -		CUSTOMER DRAWING	SCALE 1:1 SHEET 1 OF 1 REV E
4. PLC ± -			
ANGLES ± -			
FINISH			