

NOTES:

1.0 MATERIALS:

- 1.1 HOUSING AND COUPLING NUT: STAINLESS STEEL PER QQ-S-764 AND ASTM-A-582, TYPE 303.
- 1.2 CENTER CONTACT: BERYLLIUM COPPER ROD ALLOY C172, PER QQ-C-530.
- 1.3 DIELECTRIC: PTFE FLUOROCARBON PER MIL-P-19468 AND L-P-403

2.0 PLATING:

- 2.1 HOUSING AND COUPLING NUT: PASSIVATED PER QQ-P-35 AND MIL-F-14072.
- 2.2 CENTER CONTACT: GOLD PER MIL-G-45204 TYPE II, CLASS 2

3.0 MECHANICAL:

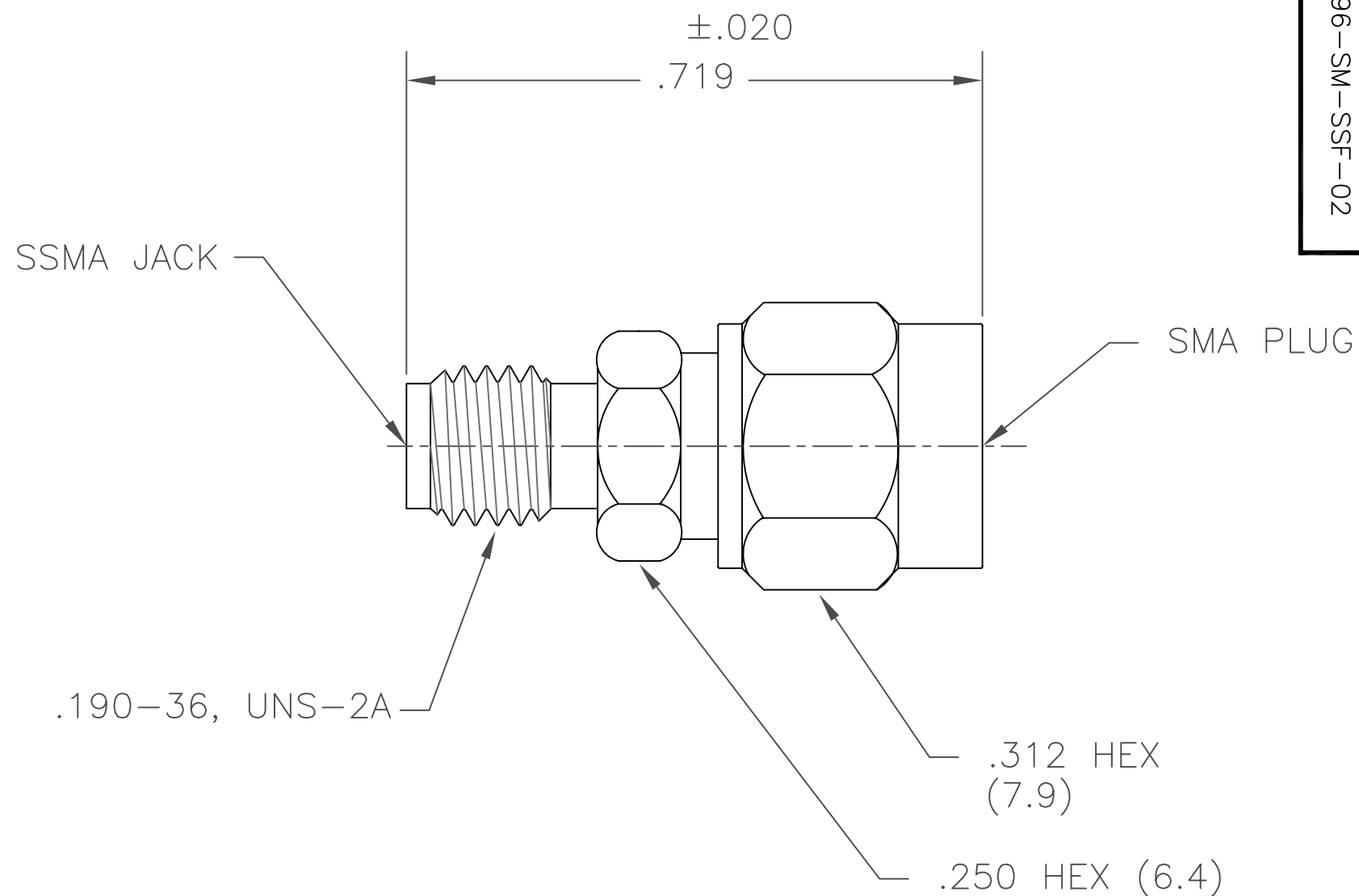
- 3.1 INTERFACE DIMENSIONS PER MIL-STD-348 FIGS 310-1 AND 319-2
- 3.2 CENTER CONTACT CAPTURED IN ACCORDANCE MIL-A-55339

4.0 DIMENSIONS IN PARENTHESIS ARE MILLIMETERS.

5.0 MAX V.S.W.R.:

- DC-12.4GHZ: 1.06+.009F GHZ
- 12.4-25.0GHZ: 1.05+.01F GHZ

ALL OTHER MECHANICAL, ELECTRICAL, AND ENVIRONMENTAL CHARACTERISTICS ARE IN ACCORDANCE WITH MIL-A-55339



DATE	2/25/91	3/15/05
DESCRIPTION	RELEASED	ADDED TITLEBLOCK
REV.	-	-1

<p>NOTICE: The information contained in this drawing is proprietary and must not be used without the permission of Emerson Network Power.</p> <p>UNLESS OTHERWISE NOTED DIMENSIONS ARE IN INCHES AND TOLERANCES ARE: 3 PLACE DECIMALS ±.005 2 PLACE DECIMALS ±.02 FRACTIONS ±1/64 PARALLELITY: T.I.R. _____ FLATNESS: T.I.R. _____ CONCENTRICITY: T.I.R. _____ ANGLES AND PERPENDICULARITY: ±1°</p>	<p>CAGE CODE</p> <p><b>34078</b></p>	<p><b>MIDWEST MICROWAVE</b></p>	
	<p><b>EMERSON</b> Network Power Connectivity Solutions</p>	<p>TITLE</p> <p>ADAPTER SSMA FEMALE TO SMA MALE OUTLINE DRAWING</p>	
<p>DRAWN/DATE R.FAWSON 2/20/91</p>	<p>ENG./DATE R.FAWSON 2/22/91</p>	<p>DRAWING NUMBER</p> <p>ADT-2696-SM-SSF-02-01</p>	<p>REV.</p> <p>-1</p>
<p>CHECKED/DATE A.BEATTY 2/22/91</p>	<p>APPROVED/DATE T.GORDON 2/22/91</p>	<p>SCALE: 5=1</p>	<p>SHEET 1 of 1</p>