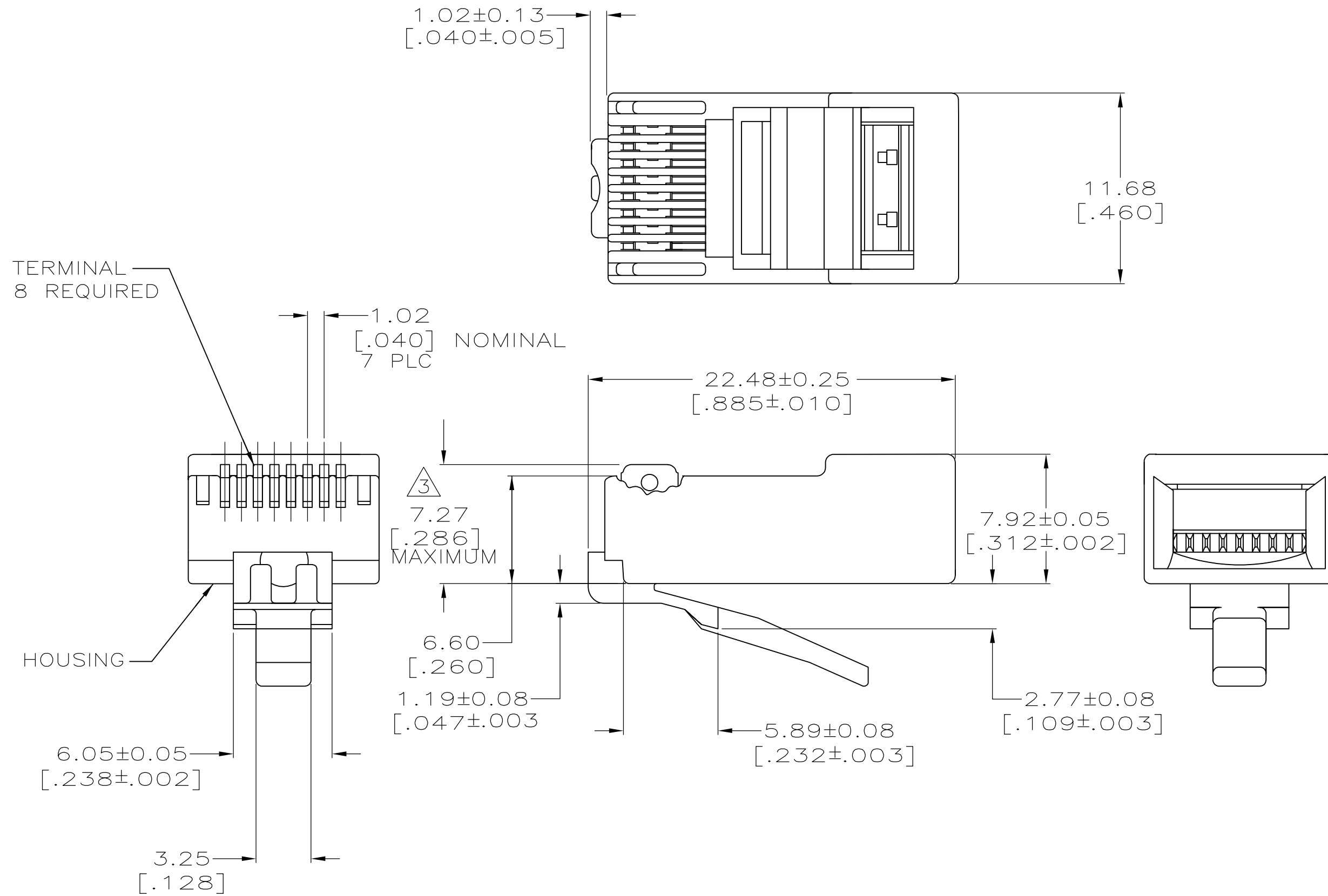


THIS DRAWING IS UNPUBLISHED. RELEASED FOR PUBLICATION
 © COPYRIGHT - By - ALL RIGHTS RESERVED.

LOC		DIST		REVISIONS			
P	LTR	DESCRIPTION		DATE	DWN	APVD	
HM	00	B		REV; ECO-12-012703	13JUL2012	GG	JG

- 1 MATERIAL: HOUSING- POLYCARBONATE, CLEAR
 TERMINAL- PHOSPHOR BRONZE, PLATED WITH
 1.27µm [.000050] MINIMUM THICK GOLD IN
 LOCALIZED GOLD PLATE AREA OVER 2.54µm [.000100]
 MINIMUM THICK NICKEL UNDERPLATE.
- 2. PLUG WILL ACCEPT 24 OR 26 AWG SOLID
 WIRE, 0.74-0.99 [.029-.039] DIAMETER.
 CABLE JACKET OUTSIDE DIAMETER 5.08 [.200]
 MAXIMUM.
- 3 TERMINATED DIMENSION 6.15 [.242] MAXIMUM.
- 5 500 ASSEMBLIES PER PACKAGE.



5	5-569215-2
PACKAGED	PART NO.

THIS DRAWING IS A CONTROLLED DOCUMENT.		DWN	B.SIMPSON	3-03-95		TE Connectivity		
DIMENSIONS: mm [INCHES]		CHK	C. WHITT	3-16-95		NAME		
TOLERANCES UNLESS OTHERWISE SPECIFIED:		APVD	E. LAURER	3-23-95		MODULAR PLUG ASSEMBLY, 8 POSITION, SMALL OPENING, ROUND CABLE, SOLID WIRE		
0 PLC ± -		PRODUCT SPEC	108-1163	SIZE		CAGE CODE	DRAWING NO	RESTRICTED TO
1 PLC ± -		APPLICATION SPEC	114-6016	A2	00779	C=569215	-	
2 PLC ± -		MATERIAL	△	WEIGHT	-	SCALE	4:1	
3 PLC ± 0.10[.004]		FINISH	△	CUSTOMER DRAWING	SHEET		1 OF 1	
4 PLC ± -				REV		B		
ANGLES ± -								
FINISH △								