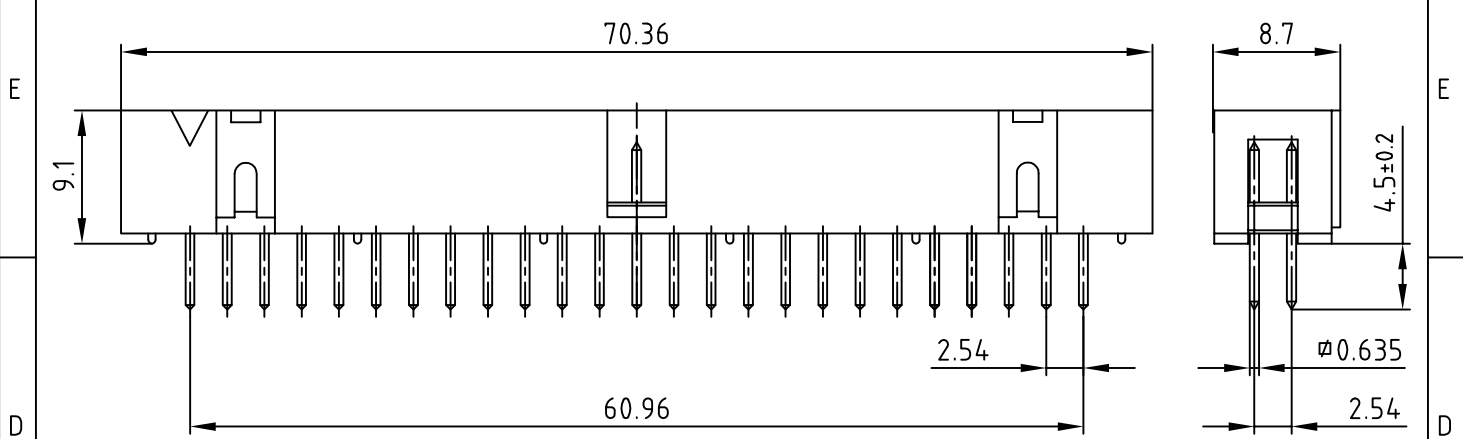
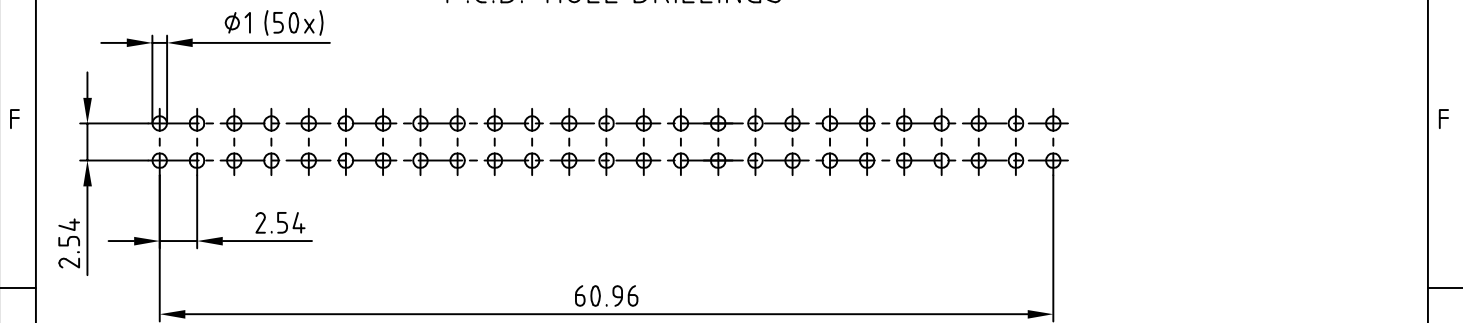


P.C.B.-HOLE DRILLINGS

used for: DIN 41651



NOTES:

1. PLASTIC HOUSING SPECIFICATION
 - PLASTIC MATERIAL: PBT 20% GF
 - PRODUCT RATING: UL-94 V-0
2. CONTACT SPECIFICATION
 - BASE MATERIAL: Cu Sn 5
 - PLATING: SELECTIVE PLATING:
 - GOLD 4µin
 - TIN 30µin
 - over 50µin NICKEL BASE
3. PERFORMANCE RATING
 - WITHSTANDING: 1000V DC or AC PEAK
 - CURRENT RATING: 1.0A
 - CONTACT RESISTANCE: 20mOhm
 - INSULATION RESISTANCE: 5000MOhm at 100V
 - NORMAL OPERATING TEMPERATURE:
 - 40 DEGREE TO +105 DEGREE CENTIGRADE

Directive 2002/95/EC
„RoHS“
Compliant

THIS DRAWING MAY NOT BE COPIED OR REPRODUCED IN ANY WAY, AND MAY NOT BE PASSED ON TO A THIRD PARTY WITHOUT WRITTEN PERMISSION. OWNERSHIP AND COPYRIGHT OF CONEC GmbH DO NOT ALTER CAD DRAWING BY HAND

tolerance		date		name	
		2008			
drawn		05.12.		Sonnenberg	
appd.		05.12.		Mickenbecker	
norm		DIN 41651			
d-old					
a	Origin				
rev.	description	date	name		



scale:	2:1	
material:	SEE DRAWING	
title:	LOW PROFILE HEADER 50pos. with straight solder pins	
dwg no:	AutoCAD 2006	DIN-A
	14K1A022	4
part no:	141A11799X	
		sh: 1/1