

LOC	DIST	REVISIONS					
A	00	P	LTR	DESCRIPTION	DATE	DWN	APVD
		R3		SEE PRODUCTION DRAWING	-	-	-


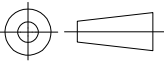
SEE PRODUCTION DRAWING
567142

RELEASED FOR PUBLICATION

ALL RIGHTS RESERVED.

THIS DRAWING IS UNPUBLISHED.

© COPYRIGHT - By -

DIMENSIONS: INCHES	DWN	M.YOUNGER	04JUN2012	MATERIAL	-	FINISH	-
	CHK	MY	04JUN2012	 TE Connectivity			
TOLERANCES UNLESS OTHERWISE SPECIFIED:	APVD	G. BAILEY	04JUN2012				
0 PLC ± -	PRODUCT SPEC	NAME SIDE FEED HDM APPLICATOR					
1 PLC ± -	APPLICATION SPEC						
2 PLC ± -	WEIGHT	-	SIZE	CAGE CODE	DRAWING NO	RESTRICTED TO	
3 PLC ± -			A4	00779	C-567142	-	
4 PLC ± -			CUSTOMER DRAWING				SCALE
ANGLES ± -						1:1	
						SHEET	
						1 OF 1	
						REV	
						R3	