

4

3

2

1

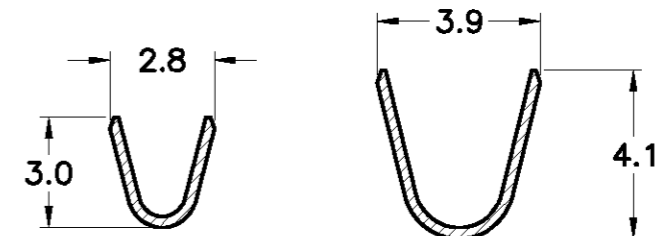
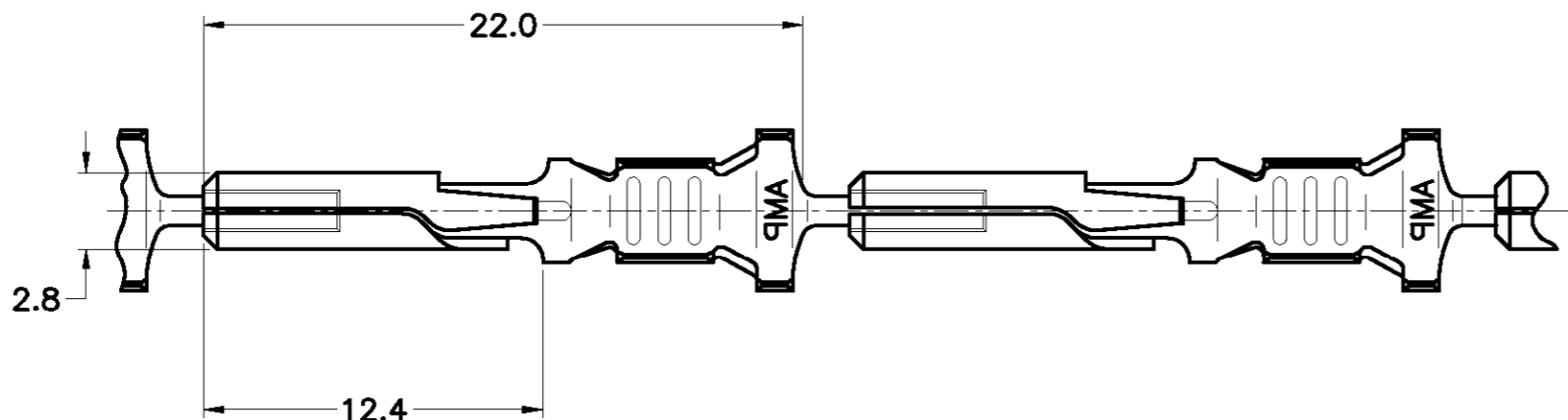
THIS DRAWING IS UNPUBLISHED. RELEASED FOR PUBLICATION .19
© COPYRIGHT 19 BY AMP INCORPORATED. ALL RIGHTS RESERVED.

CAD
DO NOT REVISE
EXCEPT BY CAD

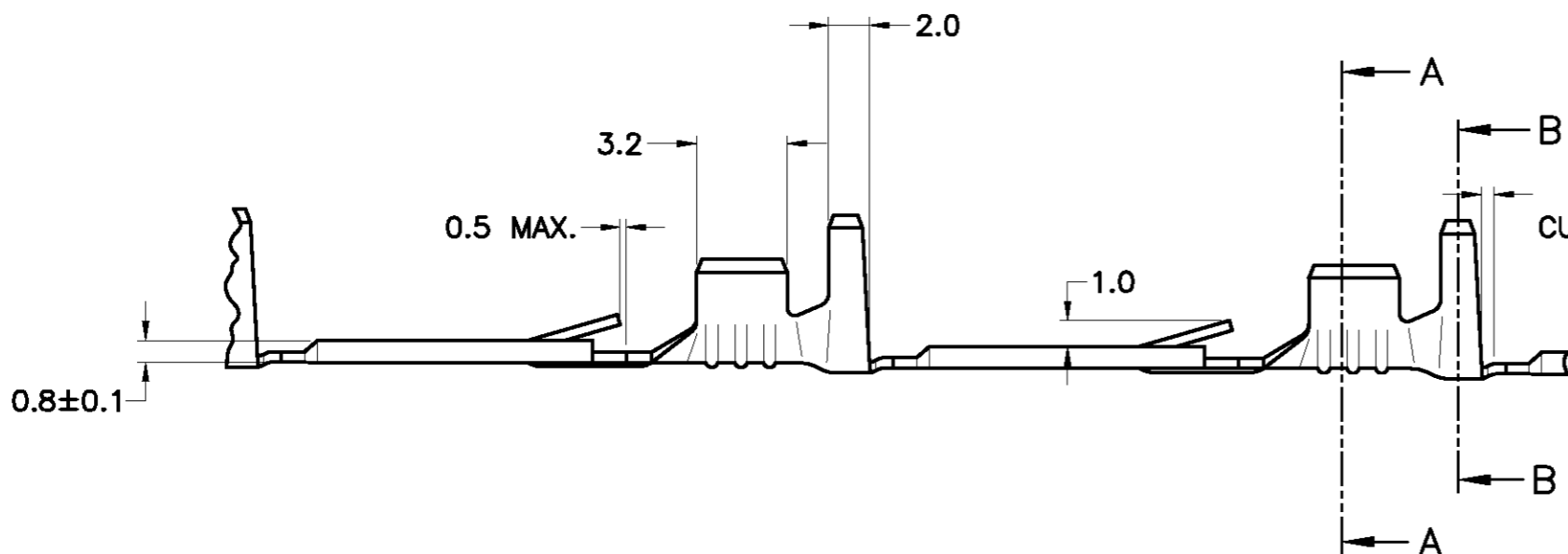
LOC AP DIST -

REVISIONS

P	LTR	DESCRIPTION	DATE	DWN	APVD
D		REDRAWN BY ECLB0230/00	31AUG00	HL	PLF
D1		REVISED PER ECO-09-026444	30NOV09	KK	AEG



CORTE A-A SECTION A-A CORTE B-B SECTION B-B



0.40 MAX.
DIM. DE CORTE PARA PEÇA SOLTA
CUT OFF TAB FOR LOOSE PIECE ONLY

1	OBSOLETE	---/---	ESTANHADO/ELECTRO-TIN	BRONZE FOSF./PHOS BRONZE	881719-5
		---		BRONZE FOSF./PHOS BRONZE	881719-4
1	OBSOLETE	881719-8	PRÉ-ESTANHADO/PRE-TIN	LATÃO / BRASS	881719-3
		881719-7	ESTANHADO/ELECTRO-TIN	LATÃO / BRASS	881719-2
		881719-6	---/---	---/---	881719-1
		LOOSE PIECE PART NUMBER	ACABAMENTO/FINISH	MATERIAL	PART NUMBER

1 OBSOLETE PARTS: OBSOLETE CIS STREAMLINING PER D.RENAUD/D.SINISI

THIS DRAWING IS A CONTROLLED DOCUMENT.

DIMENSIONS: MM	TOLERANCES UNLESS OTHERWISE SPECIFIED:
	0 PLC ± -
	1 PLC ± 0.3
	2 PLC ± -
	3 PLC ± -
	4 PLC ± -
	ANGLES ± 0°30'
MATERIAL	FINISH
VER TABELA SEE TABLE	VER TABELA SEE TABLE

INSULATION RANGE	1.40-2.70mm
WIRE RANGE	0.5 - 1.0mm ²

DWN H.LIVERARO 01SEP00	AMP AMP DO BRASIL Ltda. BRASIL SÃO PAULO		
CHK P.L.FARIA 01SEP00	NAME .110 SERIES FASTIN-ON TAB		
APVD J.M.M.NETO 01SEP00	PRODUCT SPEC 108-37015	APPLICATION SPEC 114-2065	RESTRICTED TO -
WEIGHT -	SIZE A3	CAGE CODE 00779	DRAWING NO C-881719
CUSTOMER DRAWING	SCALE 1:1	SHEET 1 OF 1	REV D1