

Model No: SBS-160F35CP01-04
 Product Line: Tymphany

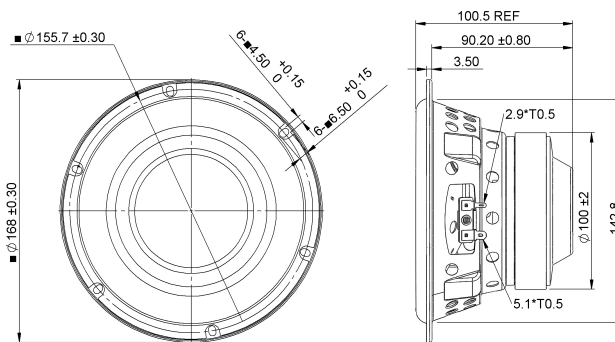
Rev: 1
 Last Update: 2017-04-21 12:39:42

Product Description

This is a 6.5 inch 4 ohm woofer features a paper cone, rubber surround, high power voice coil suspended in a ferrite magnet motor, and a steel basket. Designed to be a cost-effective high performance driver.



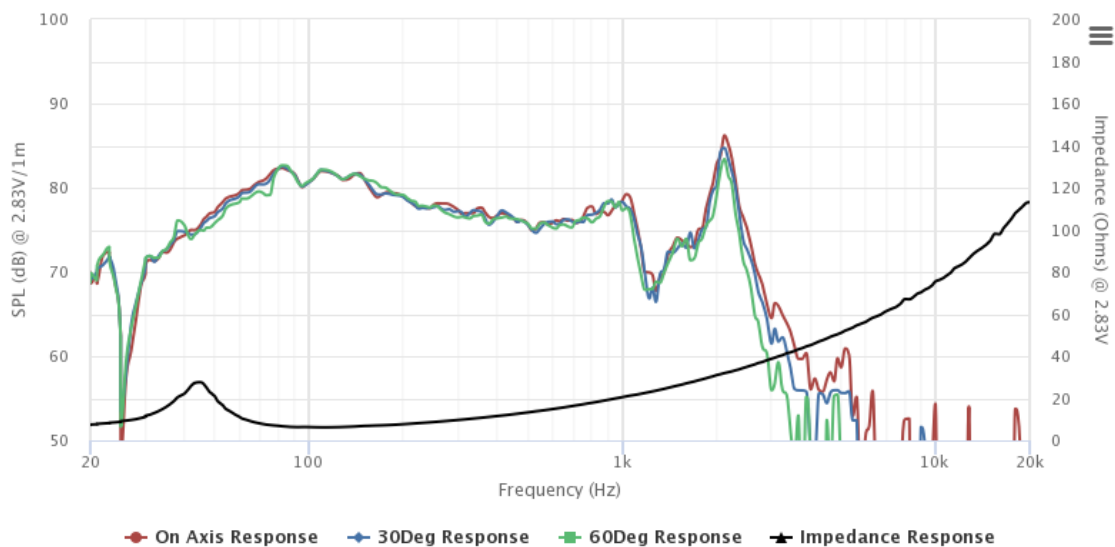
Mechanical Drawing



Specifications

| | | | | | | | |
|-------------------------------|-------------|--------|-------|-----------|----------------------------|---------|--------------------------|
| DC Resistance | Revc | Ohms | 4.1 | 5.0% | Energy Bandwidth Product | EBP | (1/Qes)*fs |
| Minimum Impedance | Zmin | Ohms | 6.21 | 7.5% | Moving Mass | Mms | g |
| Voice Coil Inductance | Le | mH | 0.93 | | Suspension Compliance | Cms | um/N |
| Resonant Frequency | Fs | Hz | 48.54 | 15% | Effective Cone diameter | D | cm |
| Mechanical Q Factor | Qms | | 3.57 | | Effective Piston Area | Sd | cm ² |
| Electrical Q Factor | Qes | | 0.75 | | Effective Volume | Vas | L |
| Total Q Factor | Qts | | 0.62 | | Motor Force Factor | BL | Tm |
| Ratio Fs/Qts | F | Fs/Qts | 78.16 | | Motor Efficiency Factor | β | (T*M ²)/Ohms |
| Half Space Sensitivity @2.83V | db@2.83V/1M | dB | 81.84 | +/- 1.0db | Voice coil former Material | VCfm | ASV |
| Half Space Sensitivity @1W/1M | db@1W/1M | dB | 80.7 | +/- 1.0db | Voice coil inner diameter | VCd | mm |
| Gap Height | Gh | mm | 6 | | Rated Noise Power | P | W |
| Maximum Linear Excursion | Xmax | mm | 8.5 | | Test Spectrum Bandwidth | | 40Hz-500Hz |
| Ferrofluid Type | FF | | | | Driver Size | Inch | 6 in |
| Driver Mass | Kg | | 1.96 | | | | |

Frequency and Impedance Response



Highcharts.com