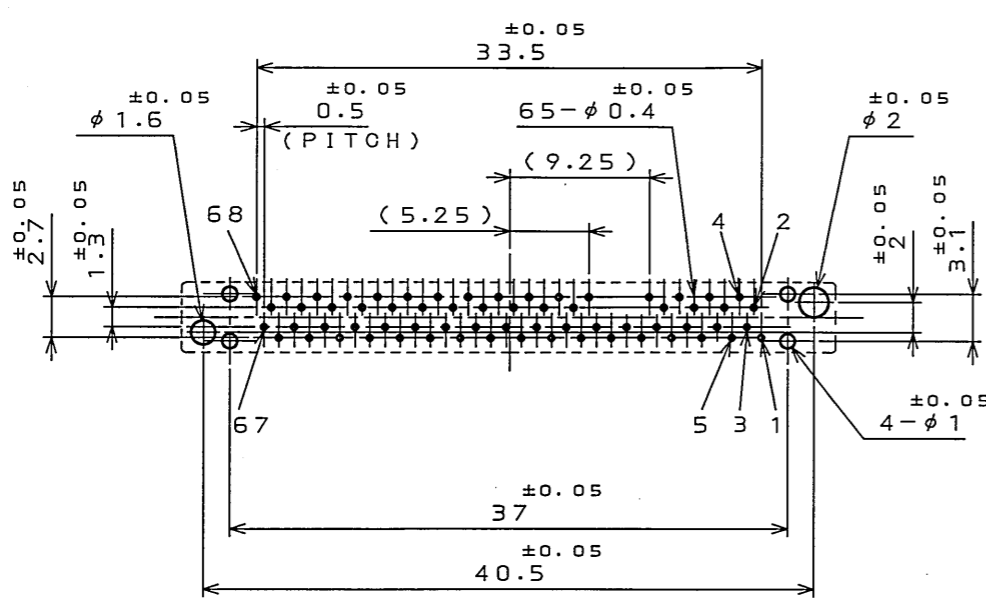
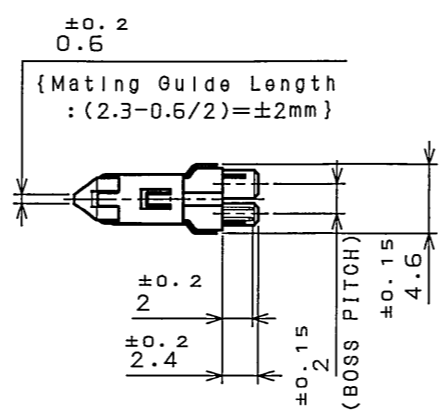
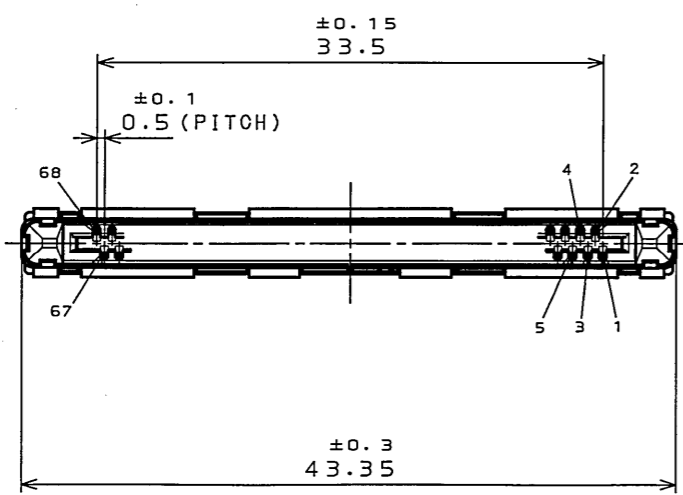
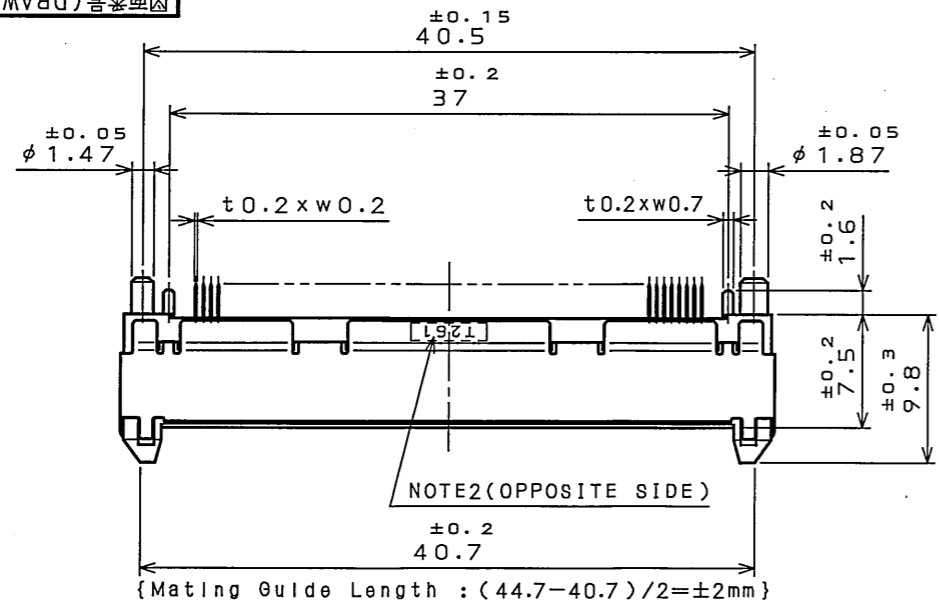
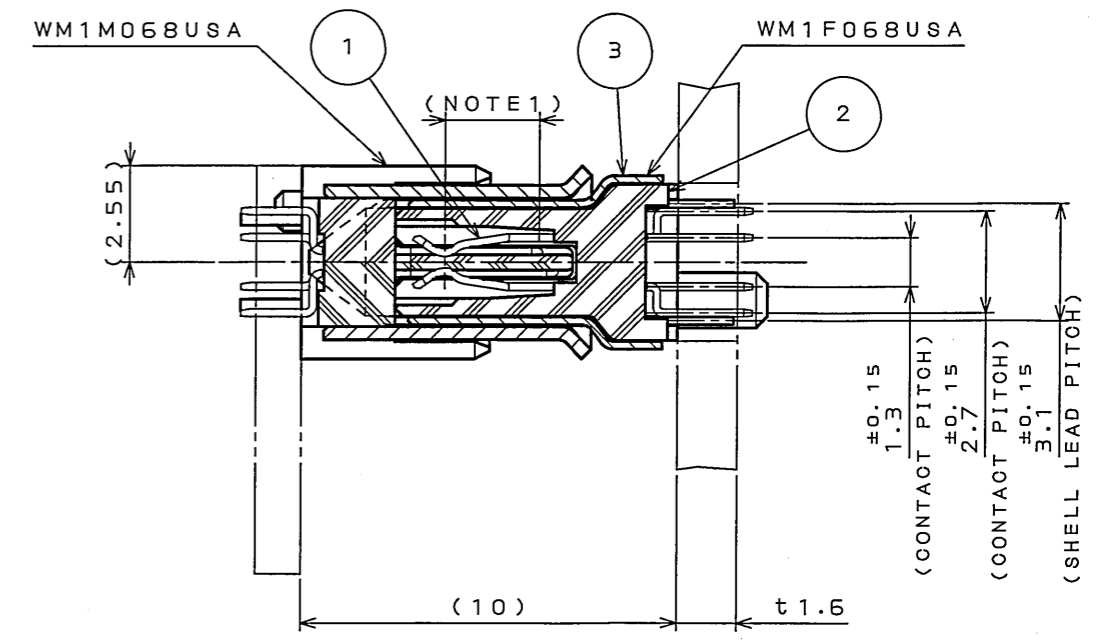


651101RS  
(DRAWING NO.)

版数 REV.	年月日 DATE	DGN NO.	変更内容 DESCRIPTION	製図 DR.	担当 CHK.	査閲 APPD.	承認 APPD.
2	5.May.2004	055013	CORRECTED TITLE		K.KAWASE	—	S. Kashiwagi



APPLICABLE P.C.B. DIMENSION (REF.)  
適合基板寸法 (参考)

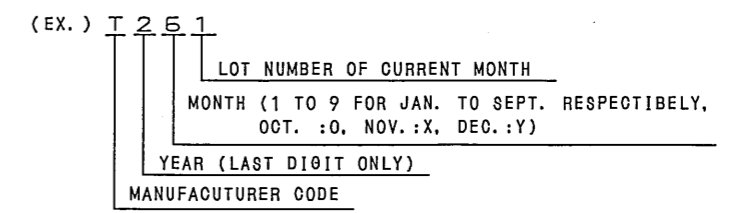


MATED CONDITION (REF.)  
嵌合状態図 (参考)

NOTE1. Sequential terminals (1st mating terminals) are placed on the other side of connector

CONTACT STROKE #1, #3-#16 : 2.9  
#2, #17-#68 : 2.5

NOTE2. PRODUCTION LOT NUMBER AS INDICATED.



NOTE3. #18, #20, #22 CONTACTS ARE NOT ASSEMBLED.

3	SHELL	1	STAINLESS STEEL	NI PLATING	
2	INSULATOR	1	GLASS FILLED LCP		UL94V-0 BLACK
1	CONTACT	65	COPPER ALLOY	TERMINAL: (LEAD FREE) TIN/TIN ALLOY CONTACT AREA: Au 0.76 $\mu$ m MIN OVER NI	
符号 NO.	名称 DESCRIPTION	個数 QTY.	材料 MATERIAL	仕上 FINISH	備考 REMARKS
仕様書 (SPECIFICATION)		第1版 (ORIGINAL DATE) 19.Apr.2004		尺 (SCALE) 2:1	
公差 (GENERAL TOLERANCE)		製図 DR.		名称 (TITLE) Reference Only	
寸法 (DIMENSION) 角度 (ANGLES)		担当 CHK. K.KAWASE		WM1F068USA	
. $\pm 0.8$ X° ±		査閲 APPD.		(Socket Straight)	
.X $\pm 0.4$ X°X' ±		承認 APPD. s.KASHIWA01		重量 (WEIGHT)	
.XX $\pm 0.1$				図面番号 (DRAWING NO.) SJ101159	
.XXX ±				版数 (REV.) 2	

LEAD FREE この製品は鉛フリーです

JAE CONNECTOR DIV. PROPRIETARY.  
COPYRIGHT (C) 2004, JAPAN AVIATION ELECTRONICS INDUSTRY, LTD.

DOF-0-212E(03.08)

