

- NOTES:
- MATERIAL:  
METAL SHELL: BRASS  
HOUSING: POLYAMIDE, GLASS FIBER FILLED, UL94-0,COLOR BLACK  
INSERT: POLYAMIDE, GLASS FIBER FILLED, UL94-0,COLOR BLACK  
TERMINAL: PHOSPHOR BRONZE
  - PLATING:  
TERMINAL:  
CONTACT AREA: GOLD(Au),THICKNESS=50 MICROINCH/1.27 MICROMETER  
SOLDER TAIL: TIN(Sn),THICKNESS=100 MICROINCH MINIMUM  
UNDER PLATE: NICKEL (Ni).  
METAL SHELL:  
SOLDER TAIL: TIN(Sn),THICKNESS=100 MICROINCH MINIMUM  
UNDER PLATE: NICKEL (Ni),(SOLDERING AVAILABLE)  
SURFACE APPEARANCE: BRIGHT.
  - RECOMMENDED PCB THICKNESS: 1.60±0.05
  - PRODUCT SPECIFICATION REFER TO PS-48025-005
  - TEST SUMMARY REFER TO TS-48025-009
  - PACKAGING SPECIFICATION REFER TO PK-48025-001
  - LEAD FREE AND RoHS COMPLIANT PRODUCT.

| P/N        | LED COLOR |        |
|------------|-----------|--------|
|            | LEFT      | RIGHT  |
| 48025-1090 | GREEN     | GREEN  |
| 48025-1190 | GREEN     | YELLOW |

|  |                               |
|--|-------------------------------|
| ADDING THE DIMENSION MISSED ON PCB LAYOUT<br>EC NO: SH2012-0381<br>DRW:RL109 2012/05/10<br>CHKD:<br>APPR:RZHANG 2012/06/22 | QUALITY SYMBOLS<br>▽=0<br>▽=0 |
|--|-------------------------------|

|  | GENERAL TOLERANCES (UNLESS SPECIFIED) |        |
|--|---------------------------------------|--------|
|  | mm                                    | INCH   |
| 4 PLACES   | ± .10                                 | ± .004 |
| 3 PLACES   | ± .15                                 | ± .005 |
| 2 PLACES   | ± 0.25                                | ± .010 |
| 1 PLACE  | ± 0.25                                | ± .010 |
| 0 PLACE  | ±                                     | ±      |
| ANGULAR ± 3 °  |                                       |        |
| DRAFT WHERE APPLICABLE MUST REMAIN WITHIN DIMENSIONS |                                       |        |

| DIMENSION STYLE |            | SCALE   | DESIGN UNITS | THIRD ANGLE PROJECTION |
|-----------------|------------|---|--------------|------------------------|
| MM ONLY         |            |   | METRIC       |                        |
| DRAWN BY        | DATE       | TITLE   |              |                        |
| LINDA           | 2006/08/08 | MODULAR JACK WITH INTEGRATED MAGNETICS WITH LED |              |                        |
| CHECKED BY      | DATE       | <b>molex</b>                                    |              |                        |
| ALLEN LIN       | 2006/08/10 |   |              |                        |
| APPROVED BY     | DATE       | MATERIAL NO.                                    | DOCUMENT NO. | SHEET NO.              |
| ERICK LAN       | 2006/08/10 |   | SD-48025-009 | 1 OF 2                 |

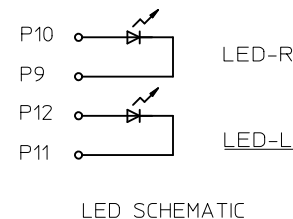
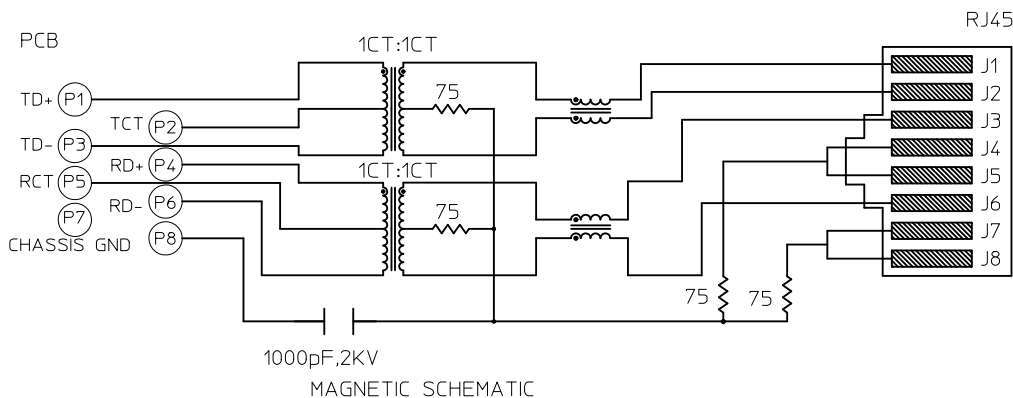
|           |  |   |  |
|-----------|--|---|--|
| SEE TABLE |  | THIS DRAWING CONTAINS INFORMATION THAT IS PROPRIETARY TO MOLEX INCORPORATED AND SHOULD NOT BE USED WITHOUT WRITTEN PERMISSION |  |
|-----------|--|---|--|

MAGNETIC ELECTRICAL SPECIFICATIONS:

- 1.0 TURNS RATIO:(P4-P5-P6):(J3-J6):1CT:1CT  
(P3-P2-P1):(J1-J2):1CT:1CT
- 2.0 INDUCTANCE:(P4-P6):350uH MIN. @0.1V,100KHz,8mA DC Bias.  
(P3-P1):350uH MIN. @0.1V,100KHz,8mA DC Bias.
- 3.0 LEAKAGE INDUCTANCE:P6-P5-P4(WITH J6 AND J3 SHORT):0.3 MAX.@1MHz.  
P3-P2-P1(WITH J2 AND J1 SHORT):0.3 MAX.@1MHz.
- 4.0 INTERWINDING CAPACITANCE:(P6,P5,P4) TO (J6,J3):30pf MAX @1MHz.  
(P3,P2,P1) TO (J2,J1):30pf MAX @1MHz.
- 5.0 DC RESISTANCE:(J6-J3)=(J2-J1):1.3 ohms Max.
- 6.0 RETURN LOSS:(P4-P6)(P1-P3)  
1MHz TO 30MHz:18dB min.  
30MHz TO 80MHz:12dB min.  
NOTE:100 OHMS CONNECTED TO (J2-J1) OR (J3-J6).
- 7.0 HI-POT:(J1,J2) TO (P1,P3):1500 VAC OR 2250 VDC.  
(J3,J6) TO (P4,P6):1500 VAC OR 2250 VDC.
- 8.0 INSERTION LOSS:1.1 dB MAX.  
100KHz TO 100MHz.
- 9.0 CROSS TALK:1-100 MHz:30 dB MIN.
- 10.0 COMMON TO COMMON MODE REJECTION:1MHz TO 100MHz:35 dB MIN.

LED ELECTRICAL SPECIFICATION

| PARAMETER         | YELLOW (TYP.) | GREEN (TYP.) | UNITS | TEST CONDITIONS |
|-------------------|---------------|--------------|-------|-----------------|
| POWER DISSIPATION | 105           | 105          | mW    |                 |
| REVERSE VOLTAGE   | 5             | 5            | V     |                 |
| PEAK WAVELENGTH   | 585           | 565          | nm    | IF=20mA         |
| FORWARD VOLTAGE   | 2.1 MAX.=2.5  | 2.2 MAX.=2.5 | V     | IF=20mA         |



|  |  |                                       |                      |   |              |   |
|--|--|---------------------------------------|----------------------|---|--------------|---|
| SEE SHEET 1<br>EC NO: SH2012-0381<br>DRAWN:RL109 2012/05/10<br>CHKD:<br>APPR:RZHANG 2012/06/22 | QUALITY SYMBOLS                                      | GENERAL TOLERANCES (UNLESS SPECIFIED) | DIMENSION STYLE      | SCALE   | DESIGN UNITS | THIRD ANGLE PROJECTION                          |
|  | ▽=0<br>▽=0   | mm INCH                               | MM ONLY              | 1:1   | METRIC       |   |
|  |  | 4 PLACES ± --- ± ---                  | DRAWN BY DATE        |   |              | MODULAR JACK WITH INTEGRATED MAGNETICS WITH LED |
|  |  | 3 PLACES ± --- ± ---                  | LINDA 2006/08/08     |   |              |   |
|  |  | 2 PLACES ± 0.25 ± ---                 | CHECKED BY DATE      |   |              | molex   |
|  |  | 1 PLACE ± 0.25 ± ---                  | ALLEN LIN 2006/08/10 |   |              |   |
|  |  | 0 PLACE ± ±                           | APPROVED BY DATE     |   |              | SD-48025-009                                    |
|  |  | ANGULAR ± 3 °                         | ERICK LAN 2006/08/10 |   |              |   |
|  | DRAFT WHERE APPLICABLE MUST REMAIN WITHIN DIMENSIONS |                                       | MATERIAL NO.         | SEE TABLE   | DOCUMENT NO. | SHEET NO. 2 OF 2                                |
|  |  |                                       | SIZE A3              | THIS DRAWING CONTAINS INFORMATION THAT IS PROPRIETARY TO MOLEX INCORPORATED AND SHOULD NOT BE USED WITHOUT WRITTEN PERMISSION |              |   |