

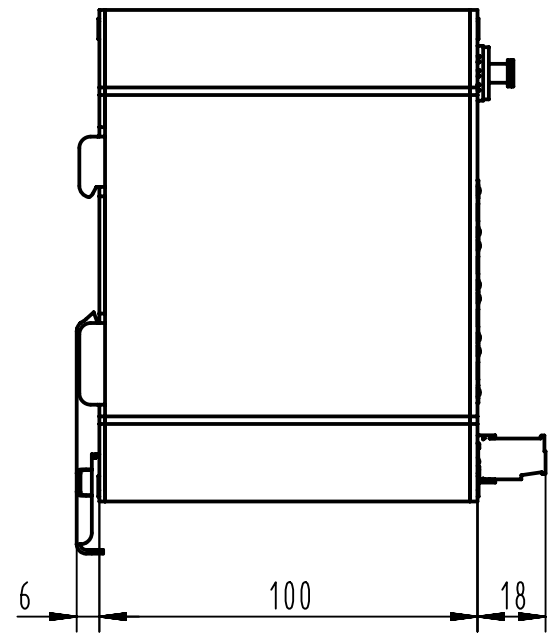
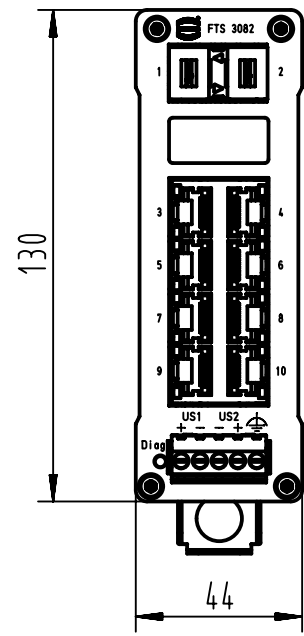
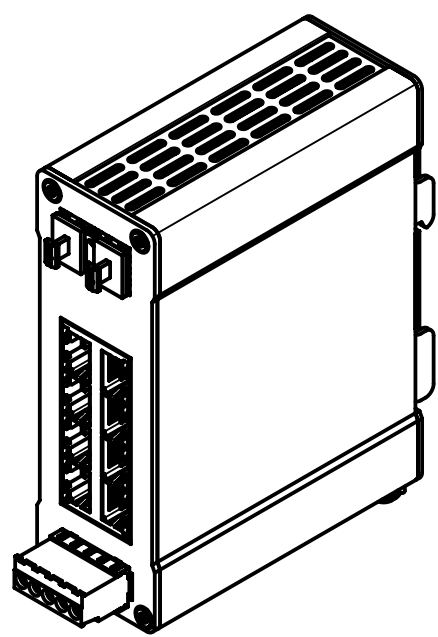
1 2 3 4 5 6

A


B

C

D



for mounting rail acc.to DIN EN 60715

	All Dimensions in mm Original Size DIN A4		Scale 1:2		Free size tol.		Ref. Sub. TB 20 78 110 4300 v. 24.01.11			
	All rights reserved Department EL PD - DE		Created by ILJIN		Inspected by LOETKEMANN		Standardisation SCHMIDTM			
HARTING Electric GmbH & Co. KG D-32339 Espelkamp		Title HA-VIS FTS 3082-ASFP					Date 2012-12-17		State Final Release	
		Type TB					Number 20 78 110 4300		Doc-Key / ECM-Nr. 100204396/UGD/005/A 500000057643	
							Rev. A		Page 1/1	