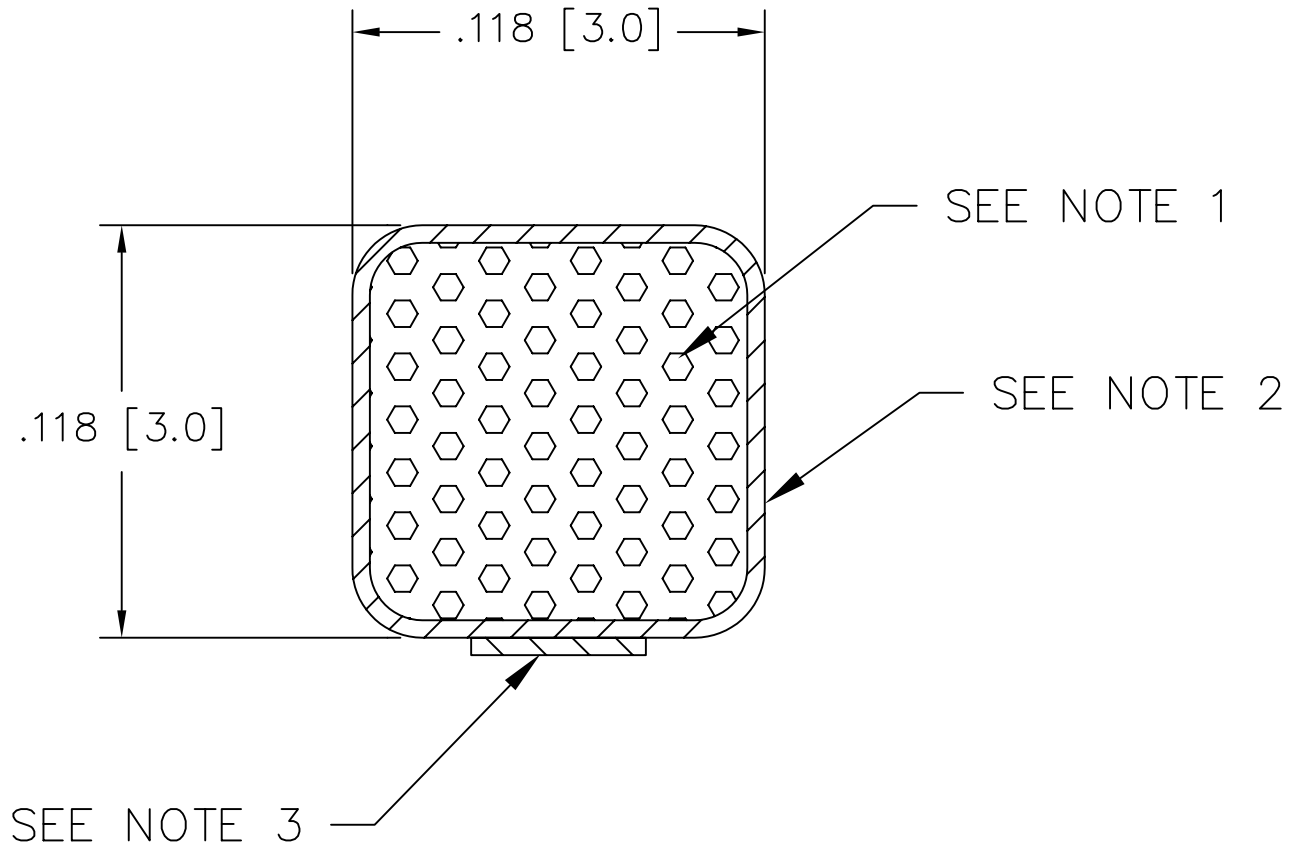


THIS INFORMATION IS CONFIDENTIAL AND PROPRIETARY TO LAIRD TECHNOLOGIES. IT MAY NOT BE DISCLOSED TO ANYONE, OTHER THAN LAIRD TECHNOLOGIES PERSONNEL, WITHOUT WRITTEN AUTHORIZATION FROM LAIRD TECHNOLOGIES.



NOTES:

1. FOAM: POLYURETHANE
2. FABRIC: NICKEL PET TAF FR EcoGreen.
3. TAPE: 0.050" TAPE HI-TEMP
4. LINER: NO EXTENDED RELEASE LINER
5. FABRIC SEAM LOCATION MAY VARY.
6. CARRIER: NO CARRIER
7. THIS PART IS RoHS COMPLIANT

REVISIONS:	TITLE:		DRAWN	DATE	SCALE:	DIMENSIONS ARE IN INCHES. UNLESS OTHERWISE SPECIFIED, TOLERANCES ARE AS FOLLOWS:	DECIMALS      LENGTH .XX ± .03      0" - 6" ± .030" .XXX ± .020    6" - 11" ± .050" .                    11" - 48" ± .100" ANGLES        48" - 70" ± .187" ± 1/2"         70" - 144" ± .250"
	SHIELDING GASKET		GIBILTERRA	10/02/07	1/1		
	Dwg. or Part No.		CHECKED BY:	DATE			
	4046-PA-51H		FJG	10/02/07			
	REV.	RELEASED BY:	DATE				
	0	FJG	10/02/07				

