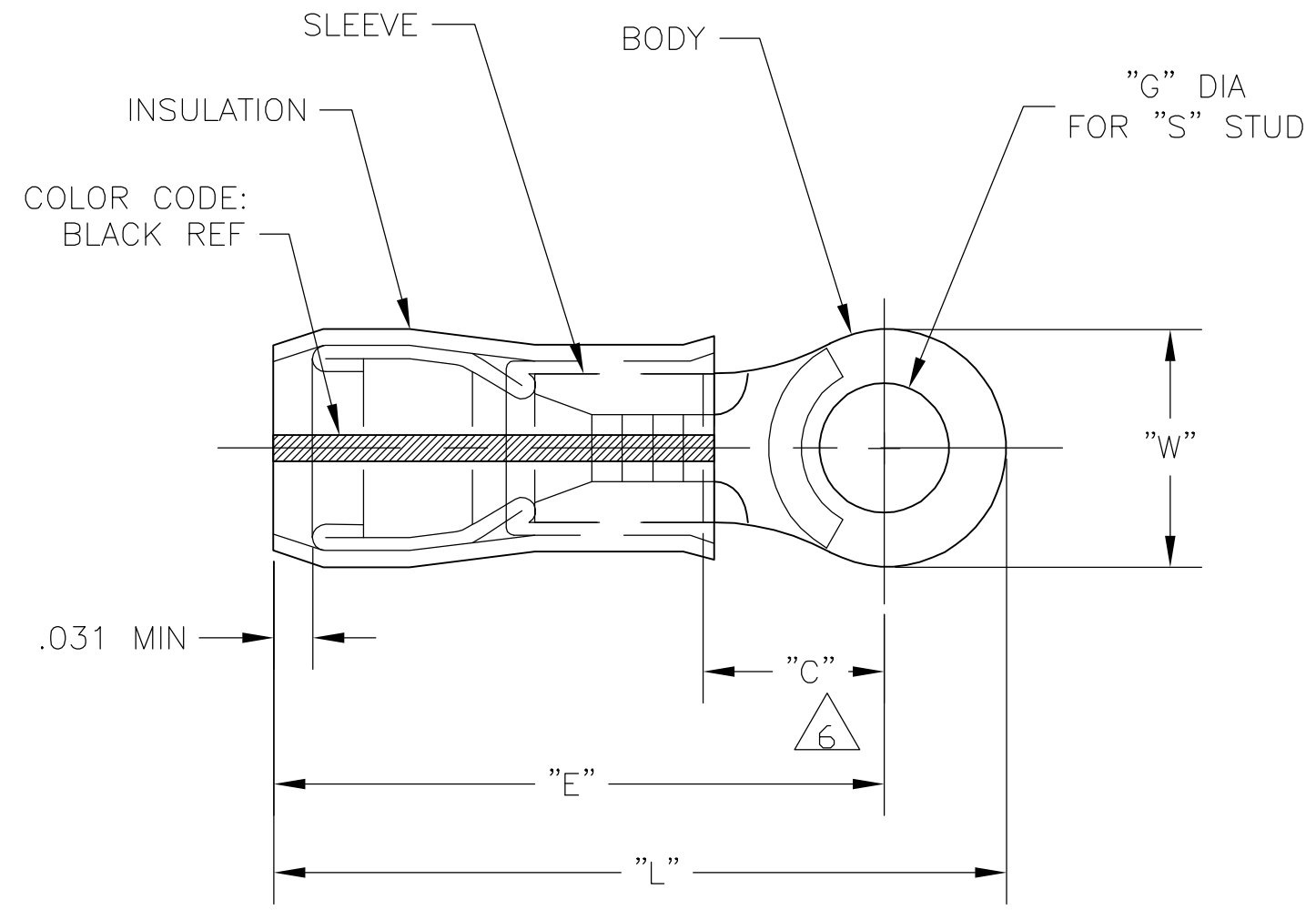


THIS DRAWING IS UNPUBLISHED. RELEASED FOR PUBLICATION
 © COPYRIGHT BY TYCO ELECTRONICS CORPORATION. ALL RIGHTS RESERVED.

LOC	DIST	REVISIONS					
		P	LTR	DESCRIPTION	DATE	DWN	APVD
G	14		A	DRAWN	01NOV05	JR	TM



- 1 STAMP AMP 16-14HD, APPROX AS SHOWN
- 2 WIRE INSULATION DIA: .150-.230
- 3 TONGUE MATERIAL THK: .050 MAX
- 4 BODY & SLEEVE: TIN PLATE PER ASTM B545,
- 5 BODY & SLEEVE- CU PER ASTM B152 INSULATION - PVF2, COLOR - NATURAL
- 6 APPLIES FROM EDGE OF METAL WIRE BARREL TO CENTER OF STUD HOLE.

.750	.625 MIN	1.221 MAX	.515±.005	1/2"	1.599 MAX	500	LOOSE PIECE	1-696430-0
.531	.437 MIN	1.033 MAX	.390±.005	3/8"	1.301 MAX	500	LOOSE PIECE	696430-9
.531	.437 MIN	1.033 MAX	.328±.005	5/16"	1.301 MAX	500	LOOSE PIECE	696430-8
.531	.437 MIN	1.033 MAX	.265±.005	1/4"	1.301 MAX	500	LOOSE PIECE	696430-7
.343	.281 MIN	.877 MAX	.197±.003	#10	1.051 MAX	500	LOOSE PIECE	696430-6
.343	.281 MIN	.877 MAX	.171±.003	#8	1.051 MAX	500	LOOSE PIECE	696430-5
.343	.281 MIN	.877 MAX	.145±.003	#6	1.051 MAX	500	LOOSE PIECE	696430-4
.281	.219 MIN	.815 MAX	.119±.003	#4	.960 MAX	500	LOOSE PIECE	696430-2
"W"	"C"	"E"	"G" DIA	"S"	"L"	QTY	PACKAGE TYPE	PART NO

AMP INCORPORATED CUSTOMER SERVICE SYSTEMS		MAX RECOMMENDED OPERATING TEMPERATURE: 150°C MAX	THIS DRAWING IS A CONTROLLED DOCUMENT.		DWN JR RUTH 01NOV05	Tyco Electronics Corporation Harrisburg, PA 17105-3608			
FOR ADDITIONAL PRODUCT INFORMATION OR COPIES OF DRAWINGS AND TECHNICAL DOCUMENTS	PRODUCT INFORMATION CENTER 1-800-522-6752	VOLTAGE RATING: -	DIMENSIONS: INCHES	TOLERANCES UNLESS OTHERWISE SPECIFIED:	CHK T MICHIELUTTI 01NOV05	NAME T MICHIELUTTI			
FOR APPLICATION TOOLING INFORMATION	TOOLING ASSISTANCE CENTER 1-800-722-1111	CIRCULAR MIL AREA: 1.04-2.62mm ² [2,050-5,180] STRANDED		0 PLC ± - 1 PLC ± - 2 PLC ± - 3 PLC ± - 4 PLC ± - ANGLES ± -	APVD T MICHIELUTTI 01NOV05	PRODUCT SPEC -			
FOR ORDER ENTRY	1-800-526-5142	THIS DRAWING IS A CONTROLLED DOCUMENT FOR AMP INCORPORATED. IT IS SUBJECT TO CHANGE AND THE CONTROLLING ENGINEERING ORGANIZATION SHOULD BE CONTACTED FOR THE LATEST REVISION.	MATERIAL -	FINISH -	APPLICATION SPEC -	SIZE A3	CAGE CODE 00779	DRAWING NO C-696430	RESTRICTED TO -
CUSTOMER DRAWING					WEIGHT -	SCALE 4:1	SHEET 1 OF 1	REV A	