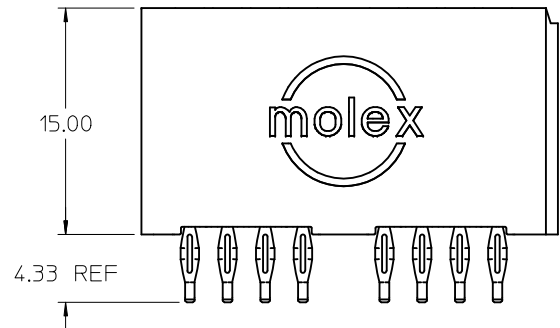
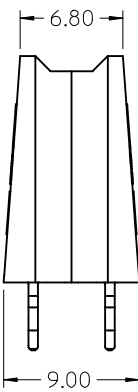
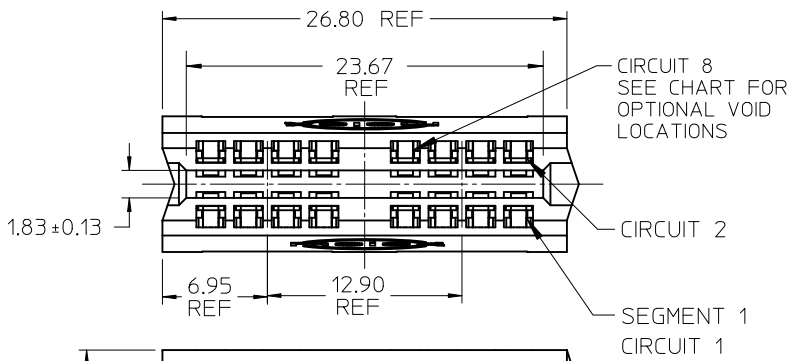


D

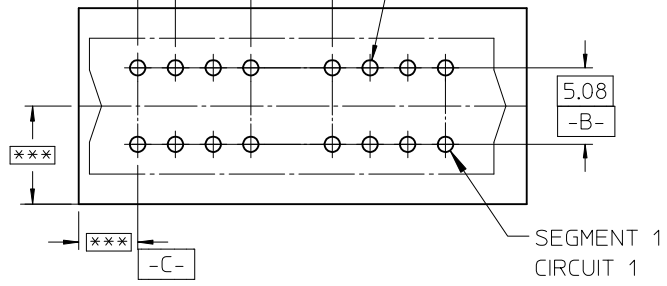
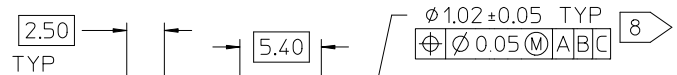
C

B

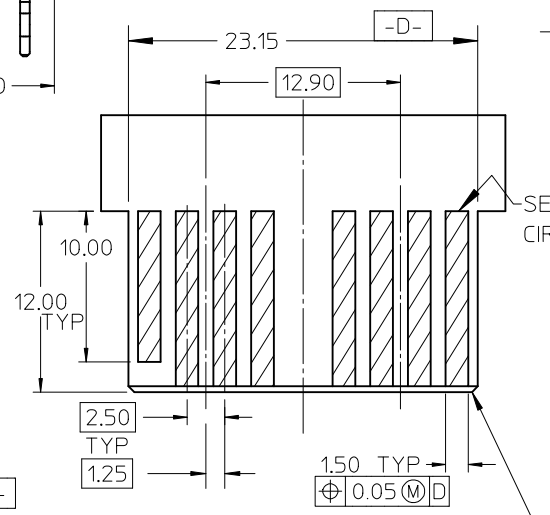
A



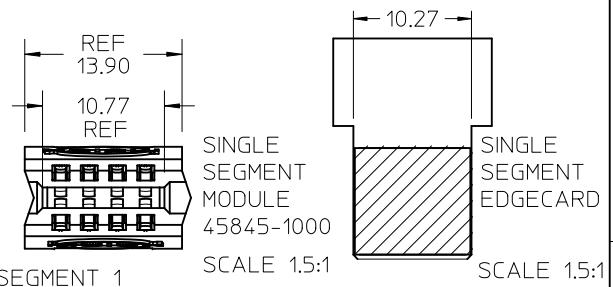
- NOTES:
- MATERIAL: HOUSING 30% GF LCP, UL94V-0, BLACK  
MATERIAL: TERMINAL C5210 ALLOY
  - FINISH: SELECT GOLD 30 μ IN MIN IN CONTACT AREA  
100 μ IN MIN IN PC TAIL AREA  
BOTH OVER NICKEL 50 μ IN OVERALL
  - PRODUCT SPECIFICATION: PS-45719-001.
  - PACKAGING SPECIFICATION: ES-45714-001.
  - THIS PART MATES WITH 1.60 ± 0.16 THICK PCB OR BUSBAR
  - DIMENSIONS GIVEN ACROSS CENTERLINES ARE SYMMETRICAL ABOUT THOSE CENTERLINES WITHIN HALF THE TOTAL TOLERANCE.
  - PCB THICKNESS: 2.36 MIN  
EDGE CARD THICKNESS: 1.57 ± 0.15  
PCB HOLE SPECIFICATION: SEE PS-45719-001.
  - 0.50 X 45° CHAMFER ON LEADING EDGE, TYP 4 SIDES.
  - THIS PART IS RoHS COMPLIANT. SEE ES-45482-999 FOR LABEL REQUIREMENTS.



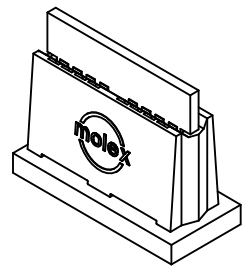
PCB LAYOUT: COMPONENT SIDE  
\*\*\* = TO BE DETERMINED BY CUSTOMER



RECOMMENDED EDGE CARD LAYOUT  
TOLERANCE: ± 0.05



TOOLING STATUS	MATERIAL NUMBER	SEGMENTS	FINISH (SHT 2)	VOID LOCATIONS
N/T	45845-1000	1	1	NONE
TOOLED	45845-0001	2	1	NONE
TOOLED	45845-0002	3	1	NONE
TOOLED	45845-0003	4	1	NONE
TOOLED	45845-1001	2	1	SEG 1 CKT 7, 8
TOOLED	45845-1003	3	1	SEGS 1, 2 CKTS 5,6,15,16
TOOLED	45845-3001	2	1	SEG 1 CKTS 3,4,7,8



ADD SHTS 4, 5	DESCRIPTION
EC NO: UCP2012-2806	2012/06/01
DRWN: JSCHAFFER	2012/02/23
CHKD:	
APPR: APATEL	
REV	

GENERAL TOLERANCES (UNLESS SPECIFIED)	
	mm INCH
4 PLACES	± --- ± ---
3 PLACES	± --- ± ---
2 PLACES	± 0.25 ± ---
1 PLACE	± --- ± ---
ANGULAR ± 1/2°	
DRAFT WHERE APPLICABLE MUST REMAIN WITHIN DIMENSIONS	

DIMENSION STYLE	
MM ONLY	
DRAWN BY	DATE
MARGULIS	2004/08/05
CHECKED BY	DATE
MARGULIS	2004/08/05
APPROVED BY	DATE
MARGULIS	2004/08/05
MATERIAL NUMBER	SEE CHART
SIZE	A

SCALE	2:1	DESIGN UNITS	METRIC	THIRD ANGLE PROJECTION
TITLE				
POWER EDGE ASSEMBLY SIGNAL VERTICAL CPI				
molex MOLEX INCORPORATED				
DOCUMENT NO.			SHEET NO.	
SD-45845-001			1 OF 5	
THIS DRAWING CONTAINS INFORMATION THAT IS PROPRIETARY TO MOLEX INCORPORATED AND SHOULD NOT BE USED WITHOUT WRITTEN PERMISSION				

6

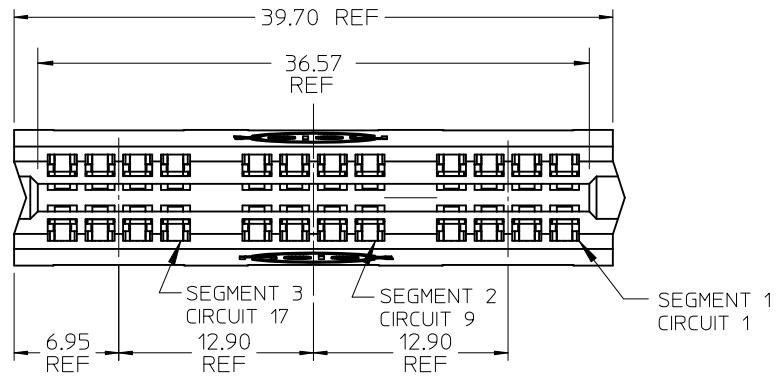
5

4

3

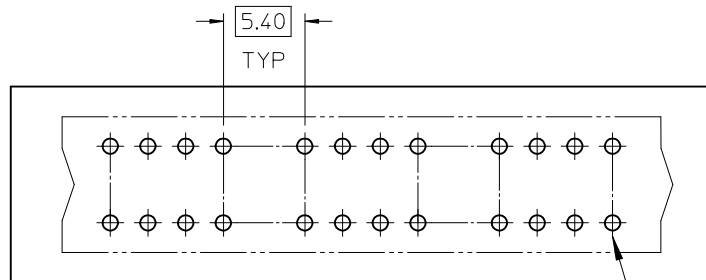
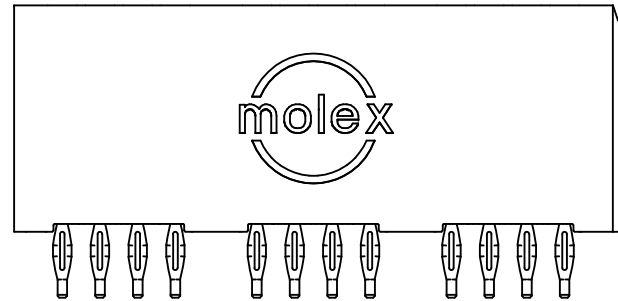
2

1

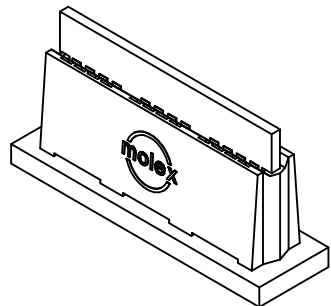
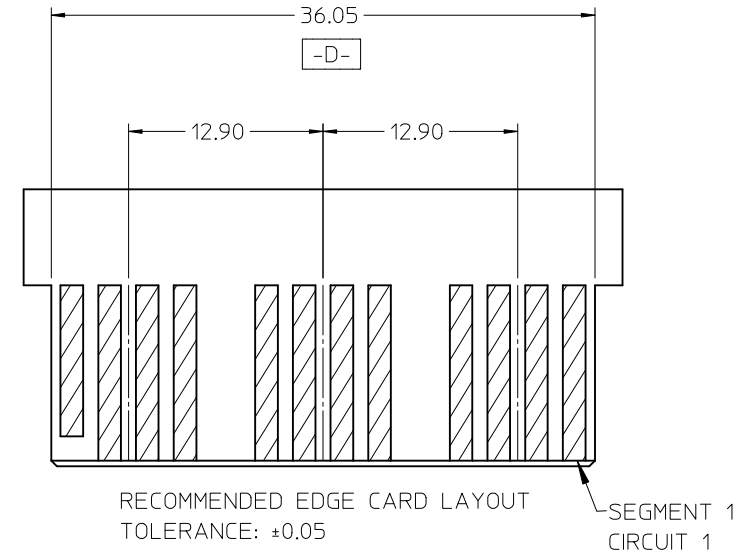


## NOTES

1. FOR NOTES AND DIMENSIONS NOT SHOWN SEE SHEET 1



PCB LAYOUT: COMPONENT SIDE

SEGMENT 1  
CIRCUIT 1

EC NO: UCP2012-2806	DRWN: JSCHAFFER	2012/02/23	CHKD: APATEL	2012/06/01	DESCRIPTION
	APPR: APATEL				
	REV				

GENERAL TOLERANCES  
(UNLESS SPECIFIED)

	mm	INCH
4 PLACES	± ---	± ---
3 PLACES	± ---	± ---
2 PLACES	± 0.25	± ---
1 PLACE	± ---	± ---

ANGULAR ±1/2°

DRAFT WHERE APPLICABLE  
MUST REMAIN  
WITHIN DIMENSIONSDIMENSION STYLE  
MM ONLY

DRAWN BY	DATE
MARGULIS	2004/08/05
CHECKED BY	DATE
MARGULIS	2004/08/05
APPROVED BY	DATE
MARGULIS	2004/08/05

MATERIAL NUMBER  
SEE CHARTSIZE  
ASCALE  
2:1DESIGN UNITS  
METRICTHIRD ANGLE  
PROJECTION

TITLE

POWER EDGE ASSEMBLY  
SIGNAL VERTICAL  
CPI

MOLEX INCORPORATED

DOCUMENT NO.

SD-45845-001

SHEET NO.

2 OF 5

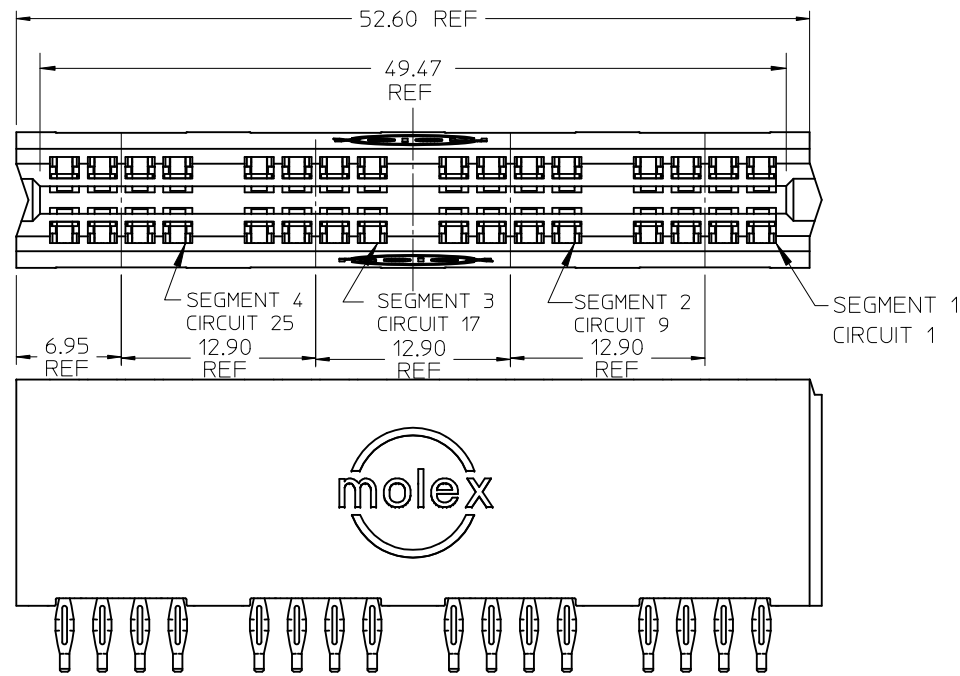
5

4

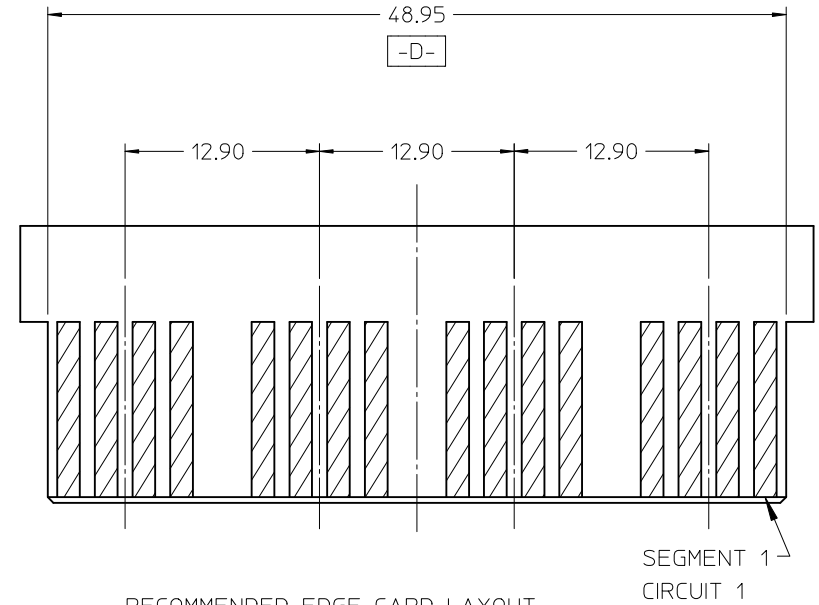
3

2

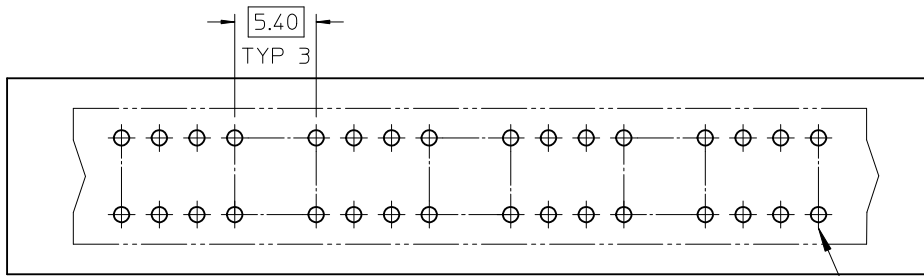
1



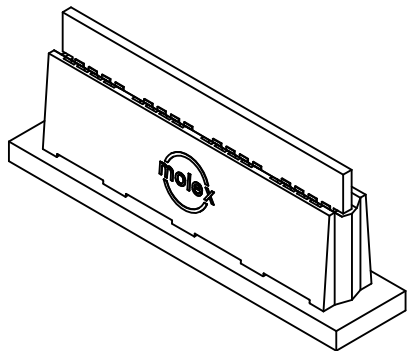
NOTE  
FOR ALL OTHER DIMENSIONS AND NOTES SEE SHEET 1.



RECOMMENDED EDGE CARD LAYOUT  
TOLERANCE: ±0.05



PCB LAYOUT: COMPONENT SIDE



EC NO: UCP2012-2806	DRWN: JSCHAFFER	2012/02/23	CHKD: APATEL	2012/06/01	DESCRIPTION
	APPR: APATEL				
	REV				

GENERAL TOLERANCES (UNLESS SPECIFIED)		
	mm	INCH
4 PLACES	± ---	± ---
3 PLACES	± ---	± ---
2 PLACES	± 0.25	± ---
1 PLACE	± ---	± ---
ANGULAR ±1/2°		
DRAFT WHERE APPLICABLE MUST REMAIN WITHIN DIMENSIONS		

DIMENSION STYLE		SCALE	DESIGN UNITS	THIRD ANGLE PROJECTION
MM ONLY		2:1	METRIC	
DRAWN BY	DATE	TITLE		
MARGUL IS	2004/08/05	POWER EDGE ASSEMBLY SIGNAL VERTICAL CPI		
CHECKED BY	DATE	MOLEX INCORPORATED		
MARGUL IS	2004/08/05	DOCUMENT NO. SD-45845-001		
APPROVED BY	DATE	SHEET NO. 3 OF 5		
MARGUL IS	2004/08/05			
MATERIAL NUMBER	SEE CHART	THIS DRAWING CONTAINS INFORMATION THAT IS PROPRIETARY TO MOLEX INCORPORATED AND SHOULD NOT BE USED WITHOUT WRITTEN PERMISSION		
SIZE	A			

6

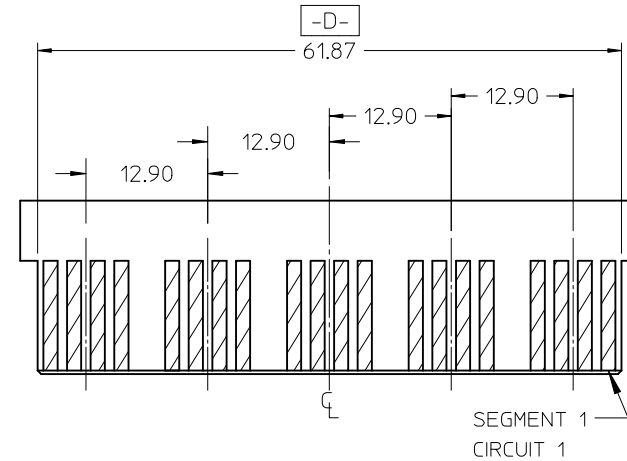
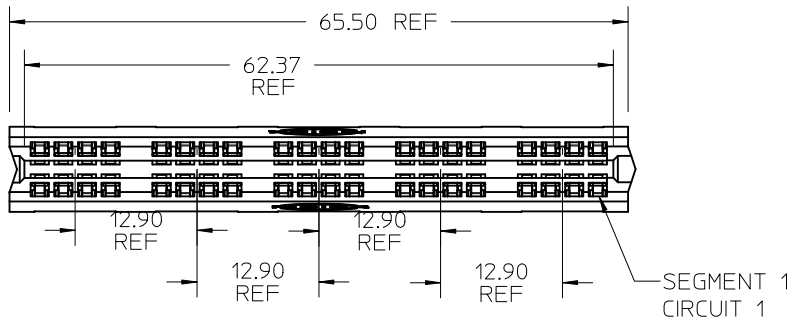
5

4

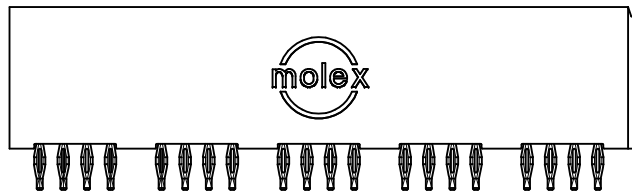
3

2

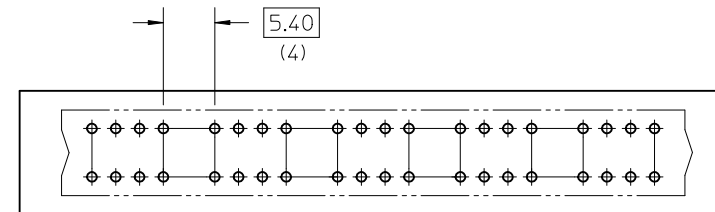
1



RECOMMENDED EDGE CARD LAYOUT  
TOLERANCE:  $\pm 0.05$



2.50  
(15)



TOOLING STATUS	MATERIAL NUMBER	SEGMENTS	FINISH	VOID LOCATIONS
NOT TOOLED	45845-0004	5	1	NONE

5-SEGMENT ASSEMBLIES

ENTER DESCRIPTION EC NO: UCP2012-2806 DRWN: JSCHAFFER 2012/02/23 CHKD: APPR: APATEL 2012/06/01	QUALITY SYMBOLS $\nabla = 0$ $\nabla = 0$ $\nabla = 0$	GENERAL TOLERANCES (UNLESS SPECIFIED)		DIMENSION STYLE MM ONLY		SCALE 1.25:1	DESIGN UNITS METRIC	THIRD ANGLE PROJECTION	
		mm	INCH	DRAWN BY	DATE	TITLE	POWER EDGE ASSEMBLY SIGNAL VERTICAL CPI		
DRAFT WHERE APPLICABLE MUST REMAIN WITHIN DIMENSIONS	4 PLACES	$\pm$ ---	$\pm$ ---	MARGUL IS	2004/08/05	Molex			
	3 PLACES	$\pm$ ---	$\pm$ ---	CHECKED BY	DATE				
	2 PLACES	$\pm 0.25$	$\pm$ ---	MARGUL IS	2004/08/05				
	1 PLACE	$\pm$ ---	$\pm$ ---	APPROVED BY	DATE				
		ANGULAR $\pm 1/2^\circ$		MARGUL IS	2004/08/05				
				MATERIAL NO. SEE CHART		DOCUMENT NO. SD-45845-001			SHEET NO. 4 OF 5
				SIZE A		THIS DRAWING CONTAINS INFORMATION THAT IS PROPRIETARY TO MOLEX INCORPORATED AND SHOULD NOT BE USED WITHOUT WRITTEN PERMISSION			

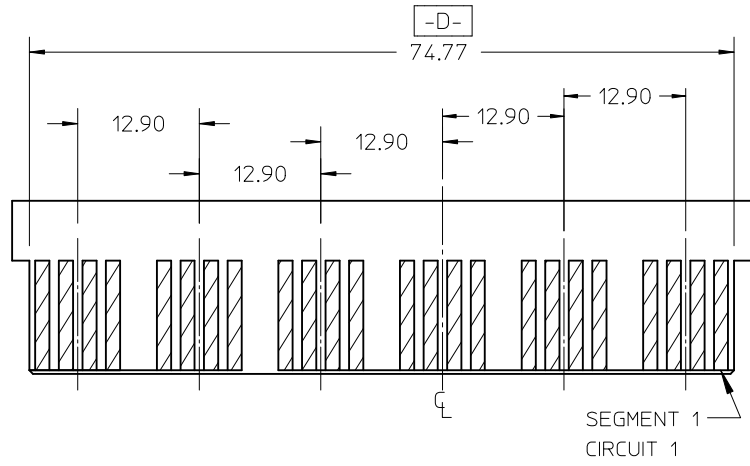
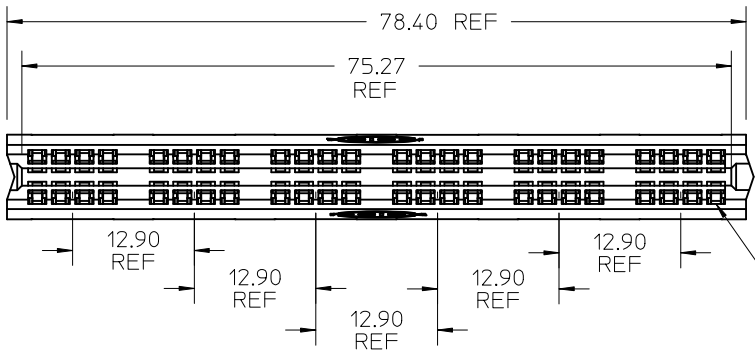
5

4

3

2

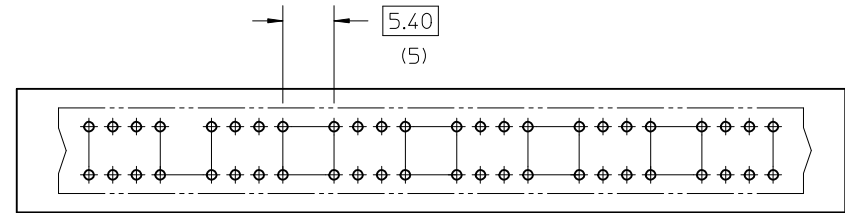
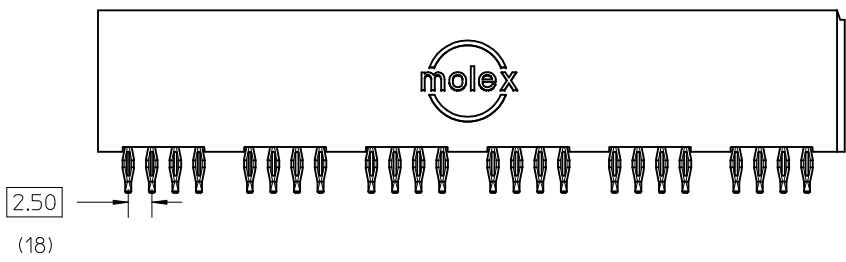
1



SEGMENT 1  
CIRCUIT 1

SEGMENT 1  
CIRCUIT 1

RECOMMENDED EDGE CARD LAYOUT  
TOLERANCE: ±0.05



TOOLING STATUS	MATERIAL NUMBER	SEG-MENTS	FINISH	VOID LOCATIONS
NOT TOOLED	45845-0005	6	1	NONE

6-SEGMENT ASSEMBLIES

ENTER DESCRIPTION EC NO: UCP2012-2806 DRWN: JSCHAFFER 2012/02/23 CHKD: APPR: APATEL 2012/06/01	QUALITY SYMBOLS 	GENERAL TOLERANCES (UNLESS SPECIFIED)		DIMENSION STYLE <b>MM ONLY</b>		SCALE <b>1.25:1</b>	DESIGN UNITS <b>METRIC</b>	THIRD ANGLE PROJECTION	
			mm	INCH	DRAWN BY MARGULIS	DATE 2004/08/05	TITLE <b>POWER EDGE ASSEMBLY SIGNAL VERTICAL CPI</b>		
		4 PLACES	± ---	± ---	CHECKED BY MARGULIS	DATE 2004/08/05			
		3 PLACES	± ---	± ---	APPROVED BY MARGULIS	DATE 2004/08/05	<b>MOLEX INCORPORATED</b> DOCUMENT NO. <b>SD-45845-001</b>		
			1 PLACE	± 0.25	± ---	MATERIAL NO. <b>SEE CHART</b> SHEET NO. <b>5 OF 5</b>			
		ANGULAR ±1/2°		DRAFT WHERE APPLICABLE MUST REMAIN WITHIN DIMENSIONS		THIS DRAWING CONTAINS INFORMATION THAT IS PROPRIETARY TO MOLEX INCORPORATED AND SHOULD NOT BE USED WITHOUT WRITTEN PERMISSION			