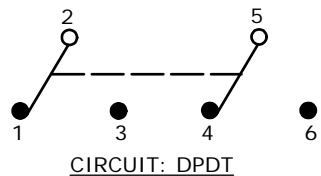
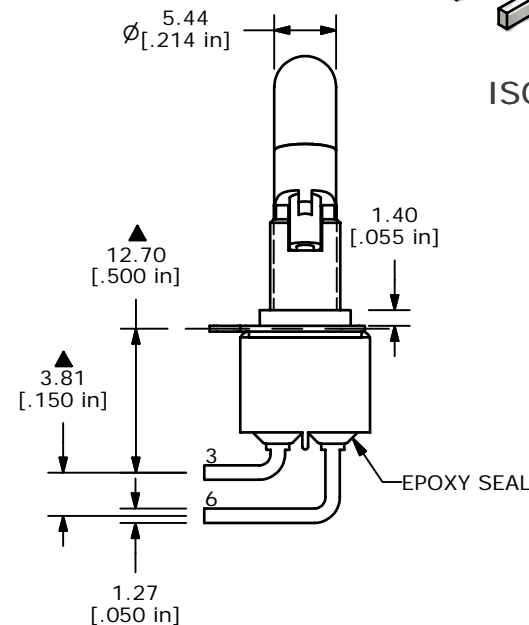
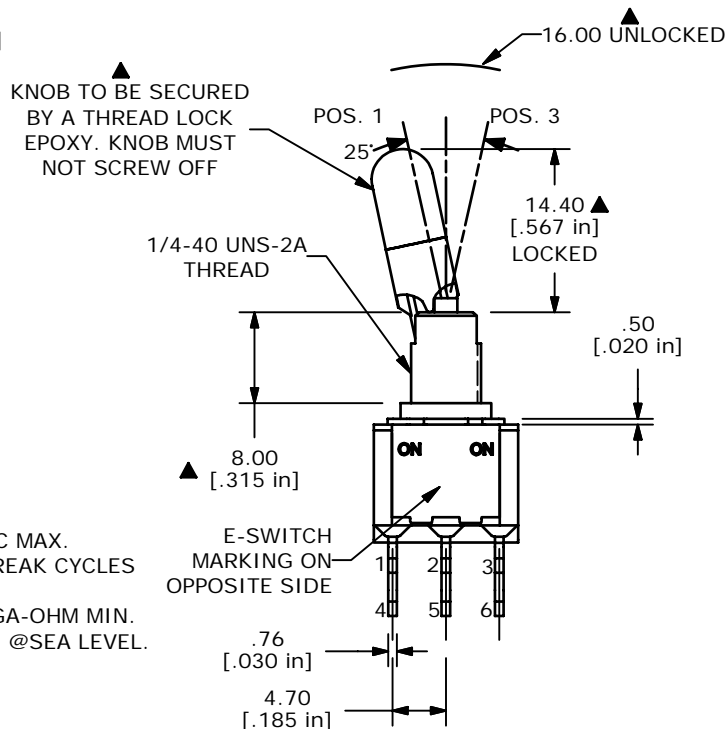
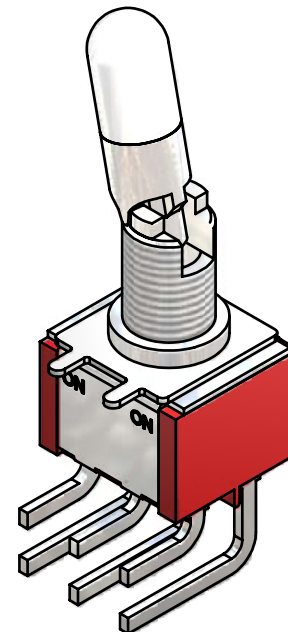


SWITCH FUNCTION		
POS. 1	POS. 2	POS. 3
ON	NONE	ON
2-3, 5-6	N/A	2-1, 5-4



- NOTE:
1. ALL DIMENSIONS IN MM [INCH]
  2. GENERAL TOLERANCE: X.X=±0.4  
X.XX=±0.25
  3. TERMINAL NUMBERS FOR REF ONLY
  - ▲ 4. PLATING MATERIAL: GOLD
  5. RATING: 0.4VA MAX @ 20VAC OR VDC MAX.
  6. ELECTRIC LIFE: 40,000 MAKE-AND-BREAK CYCLES AT FULL LOAD.
  7. INSULATION RESISTANCE: 1,000 MEGA-OHM MIN.
  8. DIELECTRIC STRENGTH: 1,000 V RMS @SEA LEVEL.
  9. OPERATING TEMP.: -30°C to 85°C
  10. ▲ DENOTES CRITICAL PARAMETER.
  11. 2002/95/EC (ROHS) COMPLIANT.
  12. HARDWARE TO BE SHIPPED BULK  
T100011-LOCK WASHER, QTY 1  
T100015-LOCK RING, QTY 1  
T100000-HEX NUT, QTY 2

**E-SWITCH®**

B	17045	FIXED TERMINAL NUMBERS	2/28/07	TN
A	16275	RELEASED FOR PRODUCTION	8/3/06	BO
REV	PCR NO	DESCRIPTION	DATE	BY

TITLE 100DP1K1B25M6REH				
SCALE	DATE	DR	DWG	REV
1.5:1	2/28/2007	TN	ST121079	B

THE INFORMATION CONTAINED IN THIS DOCUMENT IS PROPRIETARY TO E-SWITCH AND IS NOT TO BE COPIED OR TRANSFERRED