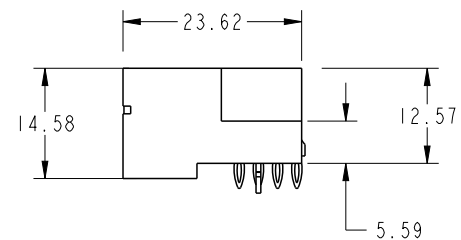
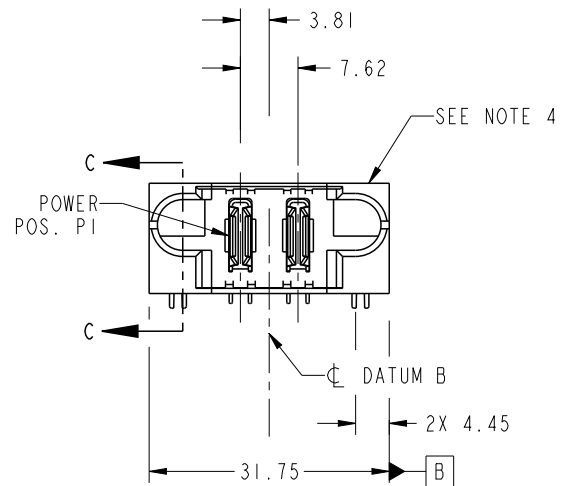


PRODUCT NO.	POWER			
	E1	P1	P2	E2
51939-929-- NOTE 3				

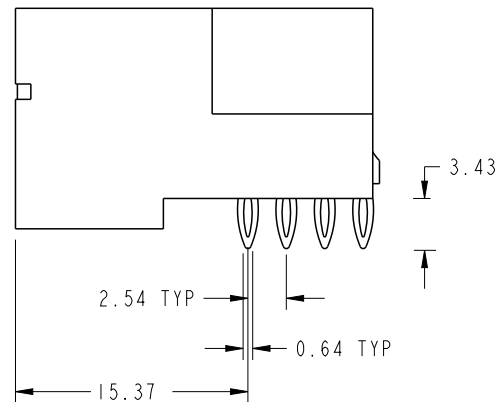


CODE	DIM "M" MATING LENGTH	CONTACT TYPE
HA	[N/A]	HOLD-DOWN
PX	[N/A]	POWER

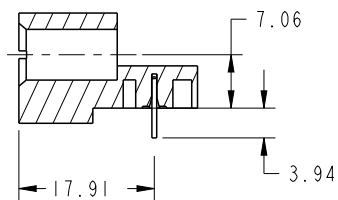
spec ref	*	dr	Luo Weller	2014/11/03	projection 	MM ←→	size	A4	scale	1:1
tolerance std	TOLERANCES UNLESS OTHERWISE SPECIFIED	eng	Luo Weller	2014/11/17			ecn no	-		
		chr	-	-						
surface ✓	linear	0.X	±0.5	FCI www.fci.com	title	2ACP RIGHT ANGLE PF HEADER	dwg no	51939-929	rel level	Released
		0.XX	±0.25							
		0.XXX	±0.1							
	angular	0°	±2°	cat. no.	&model_name	Product - Customer Drw	sheet 1 of 4	rev	A	

PRODUCT NUMBER

51939-929__
NOTE: 3



SCALE 2:1

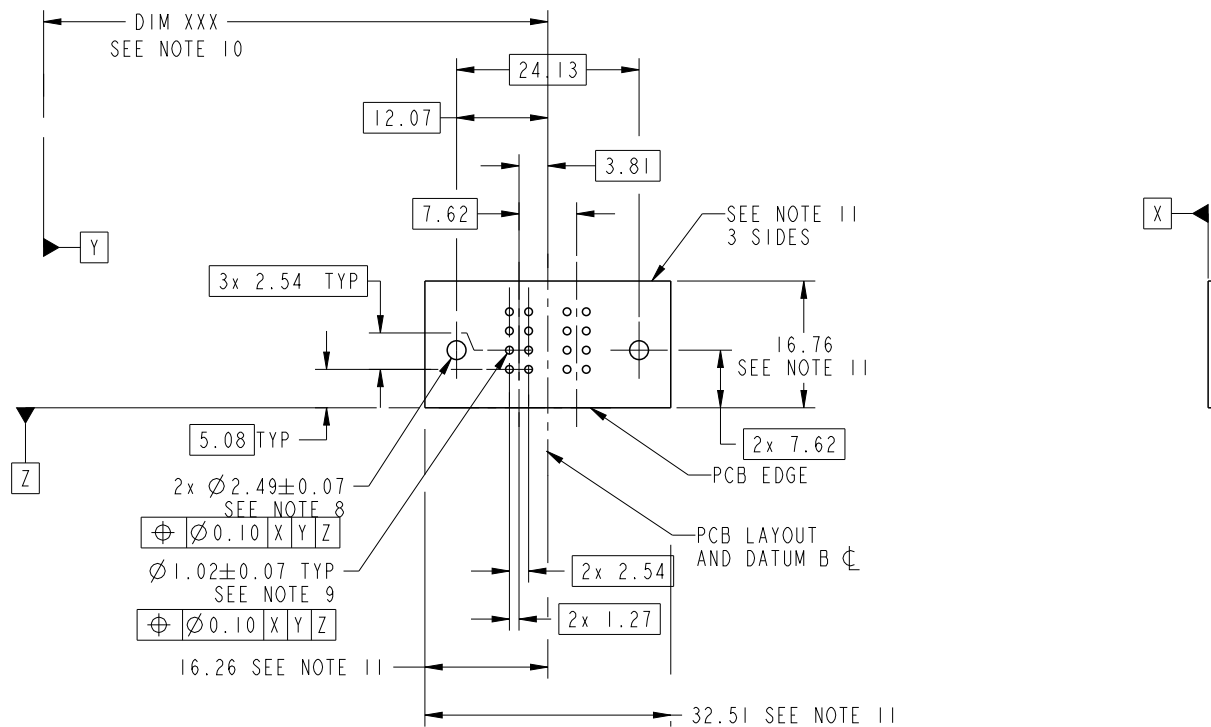


SECTION C-C

dr	Luo Weller	2014/11/03	projection 	MM 	size	A4	scale	1:1
eng	Luo Weller	2014/11/17			ecn no	-		
chr	-	-			rel level	Released		
appr	Pei-Ming Zheng	2014/11/14	product family	PwrBlade	rev	A		
	title	2ACP RIGHT ANGLE PF HEADER		dwg no	51939-929			
www.fci.com	cat. no.	&model_name	Product - Customer Drw		sheet 2 of 4			

PRODUCT NUMBER

51939-929__
NOTE: 3



RECOMMENDED PCB LAYOUT

dr	Luo Weller	2014/11/03	projection 	MM 	size	A4	scale	1:1
eng	Luo Weller	2014/11/17			ecn no	-		
chr	-	-			rel level	Released		
appr	Pei-Ming Zheng	2014/11/14	product family	PwrBlade				
	title	2ACP RIGHT ANGLE PF HEADER		dwg no	51939-929		rev	A
www.fci.com	cat. no.	&model_name	Product - Customer Drw		sheet 3 of 4			

PRODUCT NUMBER

51939-929__
NOTE: 3

NOTES:

1. DIMENSIONS AND TOLERANCES ARE IN ACCORDANCE WITH ASME Y14.5M, 1994 UNLESS OTHERWISE SPECIFIED.

CONNECTOR NOTES:

- 2. HOUSING MATERIAL: UL 94 V-0 GLASS FILLED HIGH-TEMP THERMOPLASTIC
POWER CONTACT MATERIAL: COPPER ALLOY
SIGNAL PIN MATERIAL: COPPER ALLOY
- 3. SEE ITEM 3 & 4 IN PRINT 10064183 FOR PLATING SPEC OF 51939-929 AND 51939-929LF RESPECTIVELY.
- 4. MANUFACTURER'S NAME, P/N, AND DATE CODE TO APPEAR ON THIS SURFACE.
- 5. PRODUCT SPECIFICATION GS-12-149.
APPLICATION SPECIFICATION BUS-20-067.
- 6. PACKAGED IN TRAYS.

PCB NOTES:

- 7. ALL HOLE DIAMETERS ARE FINISHED HOLE SIZE.
- 8. MOUNTING HOLES, WHERE APPLICABLE, ARE UNPLATED.
- 9. $\varnothing 1.151 \pm 0.025$ DRILLED HOLES PLATED WITH
0.008 MIN SnPb OR Sn OVER 0.03
TO 0.08 Cu PLATING TO ACHIEVE
 $\varnothing 1.02 \pm .07$ HOLE.
- 10. "DIM XXX" TO BE DETERMINED BY THE CUSTOMER.
- 11. CONNECTOR KEEP-OUT ZONE.



Copyright FCI.

dr	Luo Weller	2014/11/03	projection 	MM 	size	A4	scale	1:1
eng	Luo Weller	2014/11/17			ecn no	-		
chr	-	-						
appr	Pei-Ming Zheng	2014/11/14	product family	PwrBlade	rel level	Released		
	title	2ACP RIGHT ANGLE PF HEADER		dwg no	51939-929		rev	A
www.fci.com	cat. no.	&model_name	Product - Customer Drw			sheet 4 of 4		