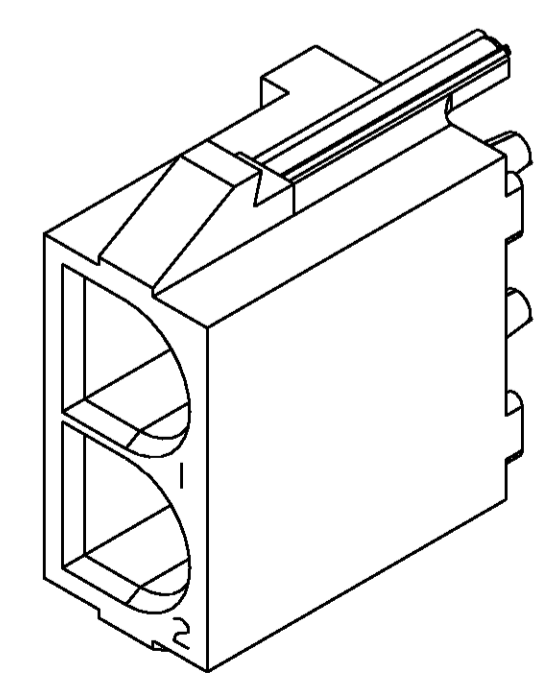
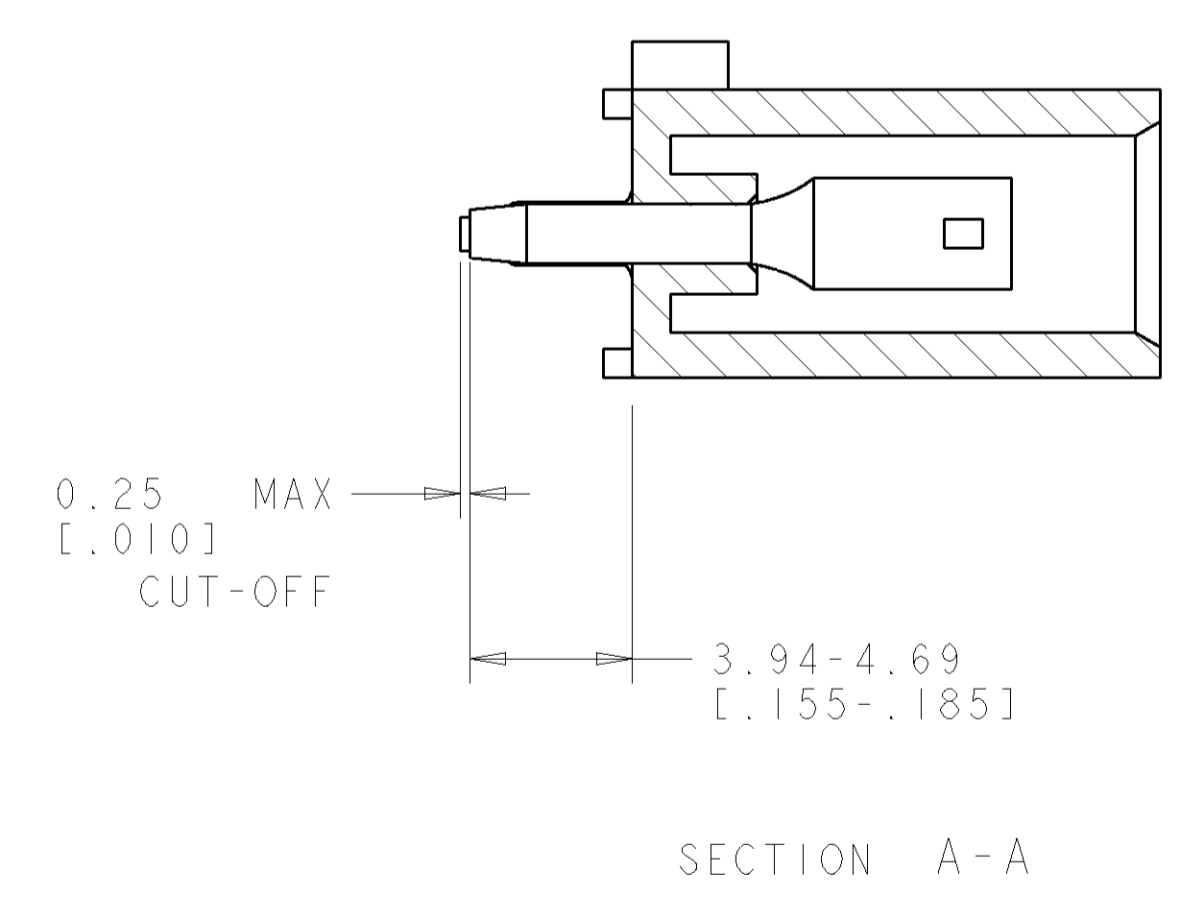
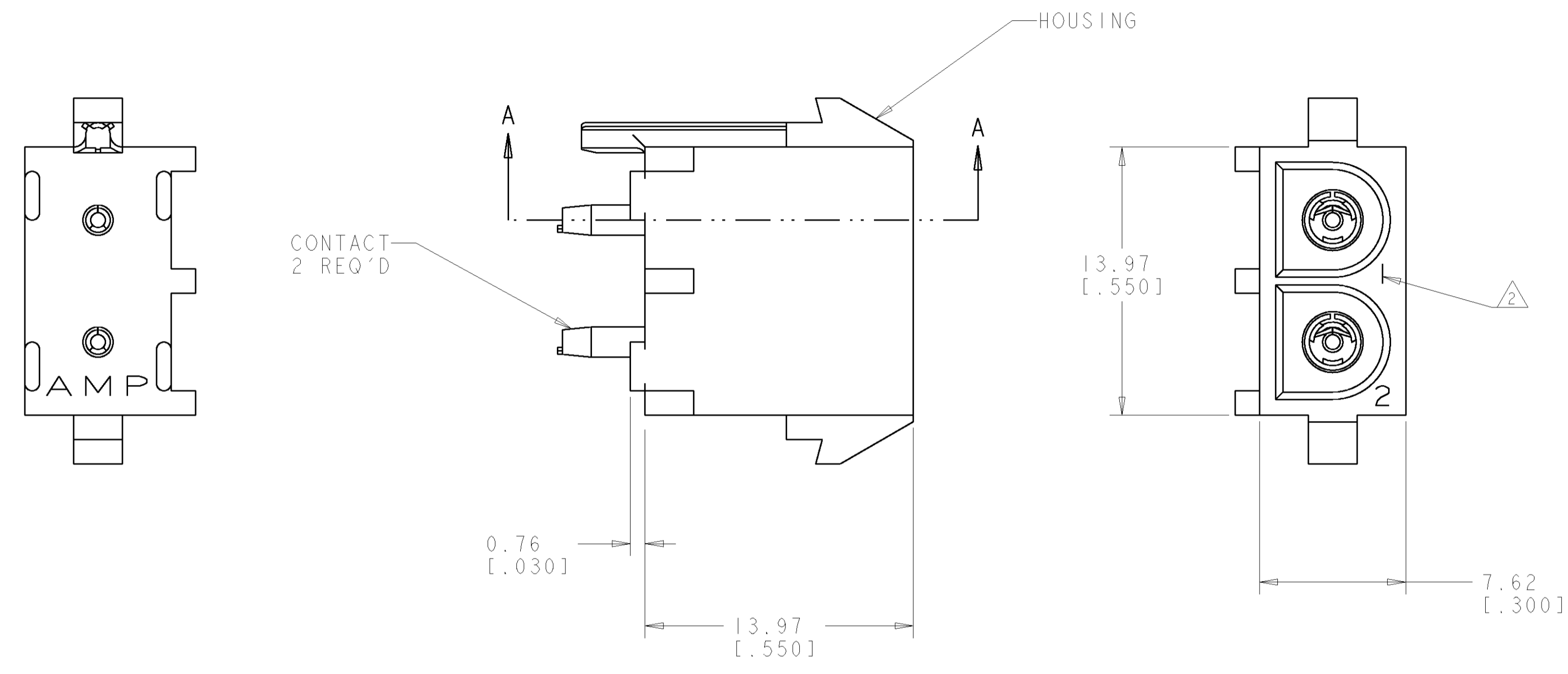
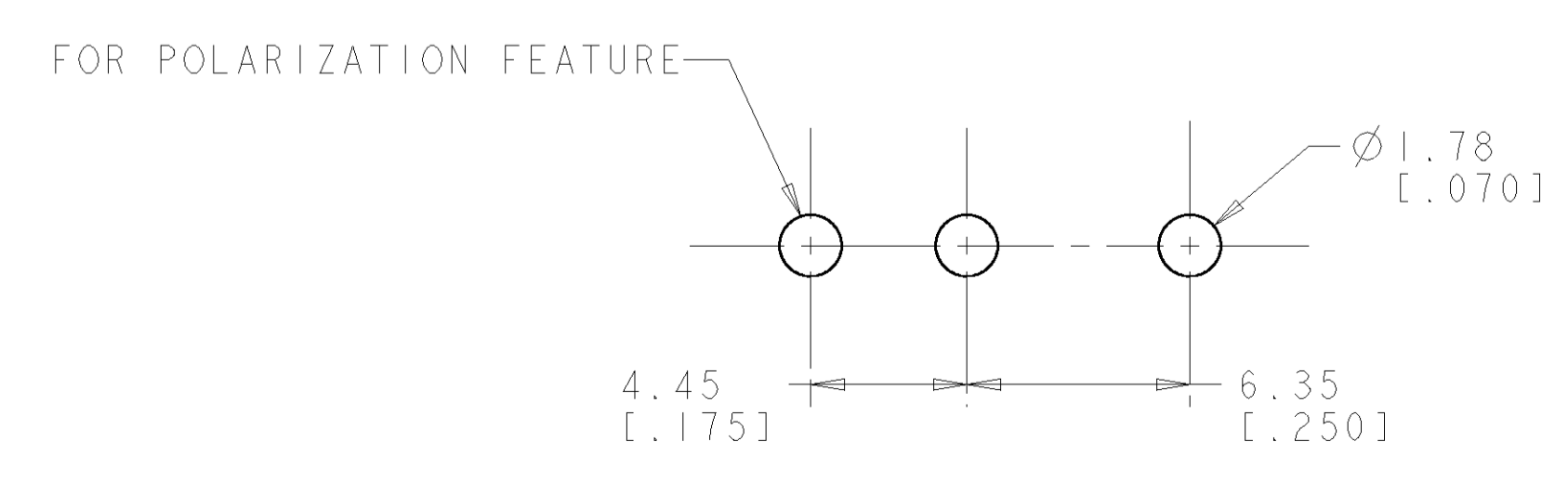


LOC		DIST		REVISIONS			
CM	00	P	LTR	DESCRIPTION	DATE	DWN	APVD
		0		REVISED PER 0638-0439-03	21-NOV-03	KW	SR

- PARTS COMPLY TO AMP SOLDERABILITY SPECIFICATION 109-11-3.
- CIRCUIT IDENTIFICATION CHARACTERS ARE ADJACENT TO THE INDICATED CAVITIES, BUT LOCATION AND ORIENTATION MAY DIFFER FROM PRINT.
- DIMENSIONS IN BRACKETS ARE IN INCHES.



3 DIMENSIONAL VIEW  
SCALE 4:1



RECOMMENDED MOUNTING HOLE PATTERN  
FOR 1.57 [.062] THICK P.C. BOARD

PHOSPOR BRONZE, PRE-TIN CONTACT MATERIAL AND FINISH		NYLON, UL94V-2, NATURAL HOUSING MATERIAL AND COLOR		1586208-1 PART NUMBER
<small>THE DIMENSIONS OF DIMENSIONED FEATURES SHALL BE TO THE INDICATED TOLERANCE UNLESS OTHERWISE SPECIFIED. DIMENSIONS ARE TO BE TAKEN TO THE CENTER OF THE HOLE UNLESS OTHERWISE SPECIFIED.</small>		DWN R. WHITAKER 21-NOV-03	Tyco Electronics Harrisburg, PA 17105-3608	
DIMENSIONS: mm [ INCHES ]		CHK S. RIDGILL 21-NOV-03	NAME A. RIDGILL	
TOLERANCES UNLESS OTHERWISE SPECIFIED: 0 PLC ± 1 PLC ± 2 PLC ±0.13(.005) 3 PLC ± 4 PLC ± ANGLES ±0°30'		APVD S. RIDGILL 21-NOV-03	PRODUCT SPEC APPLICATION SPEC WEIGHT CUSTOMER DRAWING	
MATERIAL SEE TABLE		FINISH SEE TABLE		SIZE CAGE CODE DRAWING NO. RESTRICTED TO A 00779 C-1586208 SCALE 5:1 SHEET 1 OF 1 REV 0

