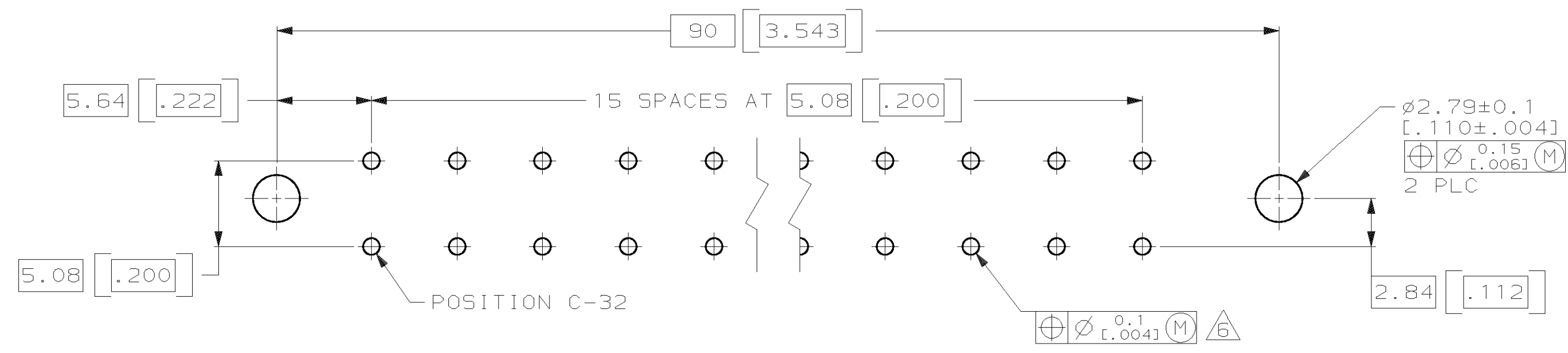
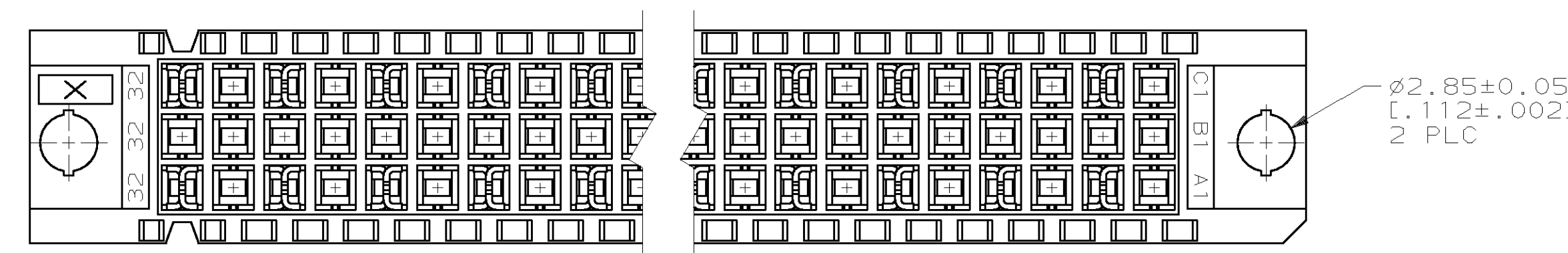
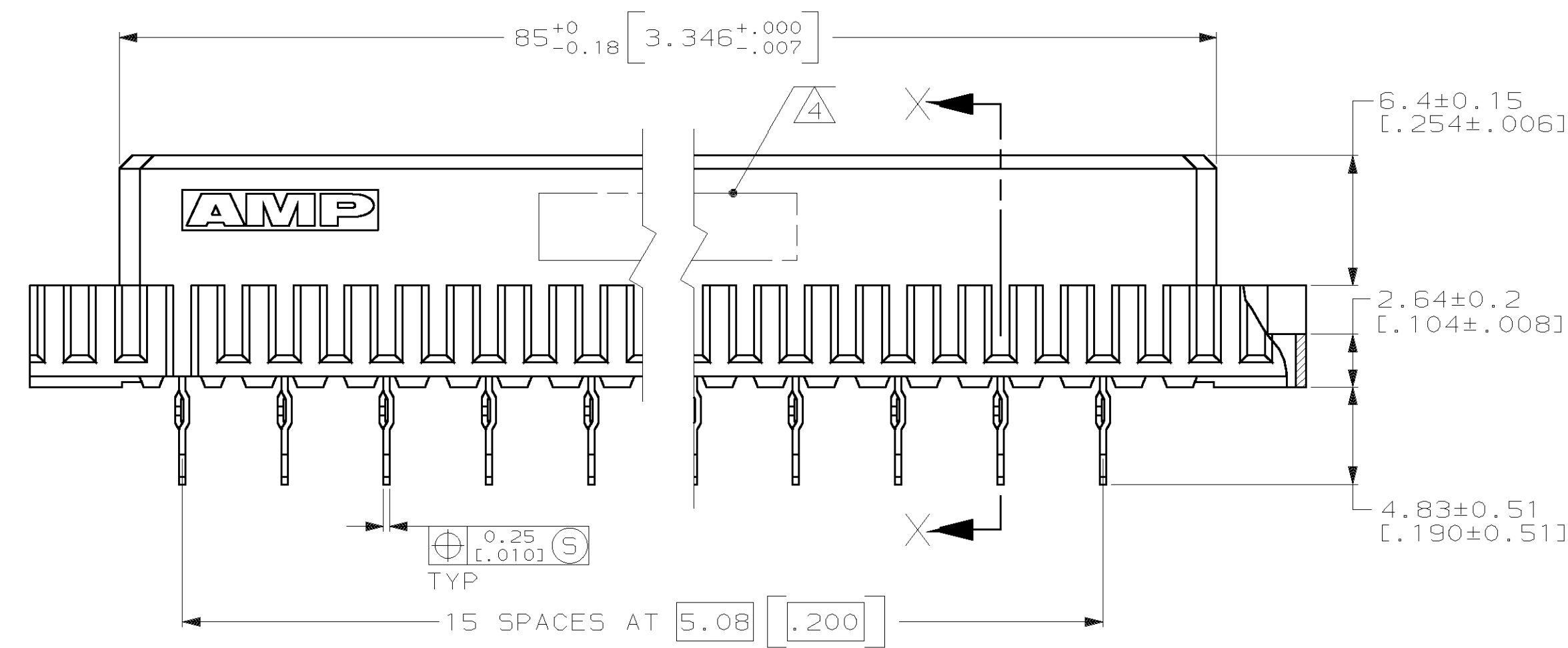
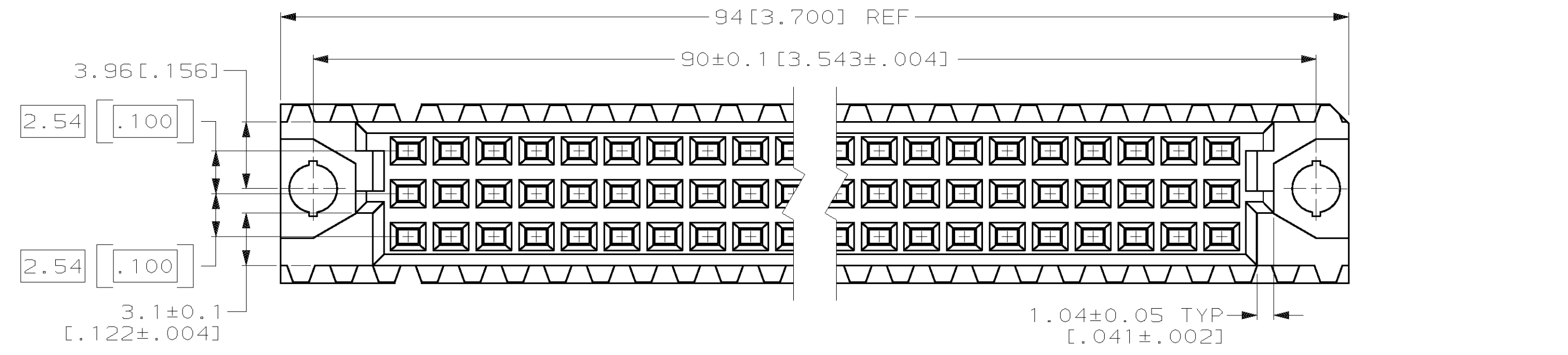
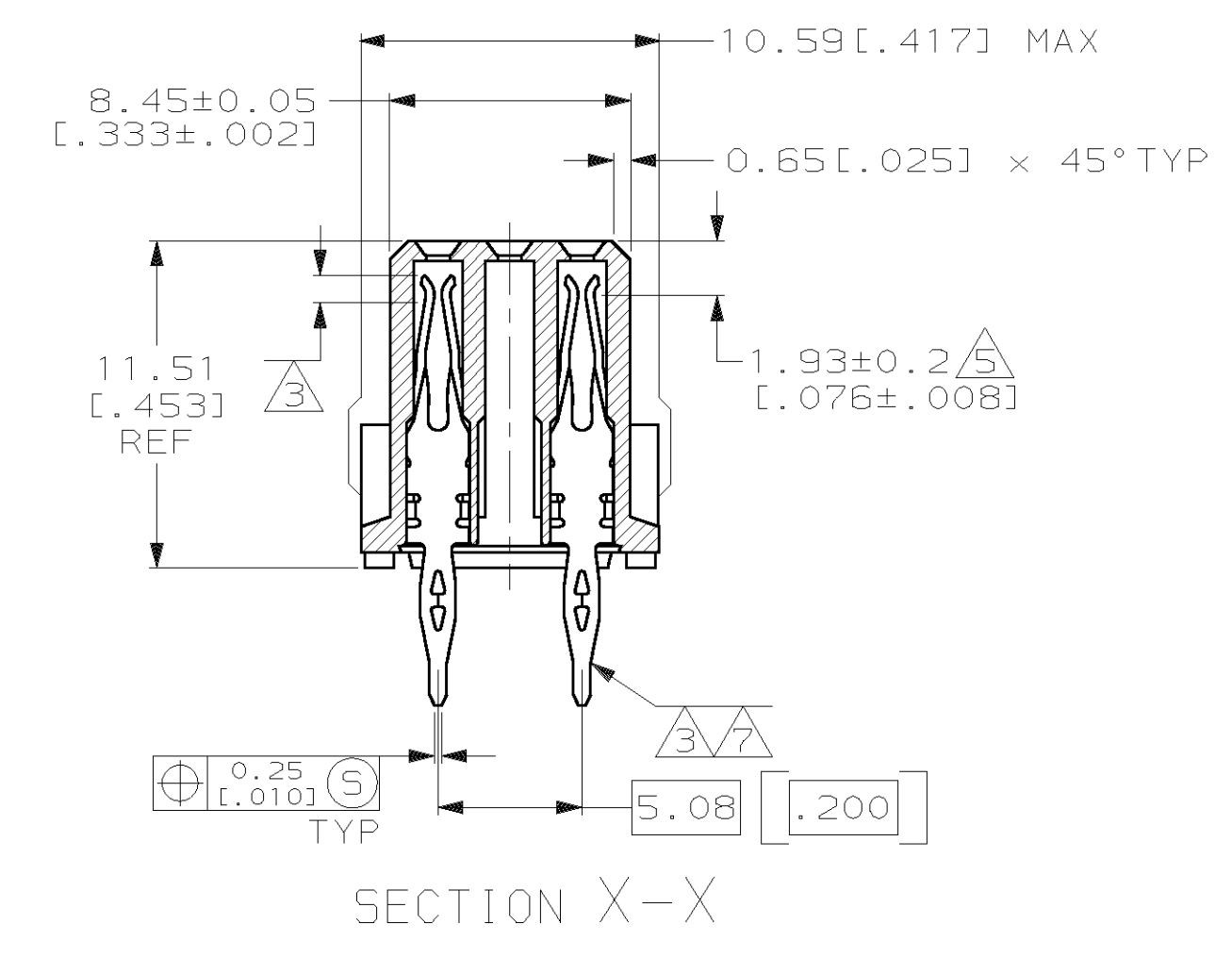


LOC		DIST		REV		REVISIONS		DATE	APPD
AD	25	P	F	ZONE	LTR	DESCRIPTION			
					E	EC 0010-1434-95		1/18/96	RAP
					F	EC 0010-1486-95		4/1/96	CR
					G	REV PER EC OUTB-0367-00		09 JAN 01	CR



- 1 HOUSING MATERIAL: GLASS-FILLED POLYESTER. COLOR: GRAY.
- 2 CONTACT MATERIAL: PHOSPHOR BRONZE.
- 3 CONTACT FINISH: 0.000762 [0.000030] GOLD IN CONTACT AREA. 0.00127 [0.000050] NICKEL UNDERPLATE ALL OVER. TIN-LEAD ON POSTS.
- 4 PART NUMBER, DATE CODE IDENTIFICATION, CSA LOGO IN THIS APPROXIMATE AREA, ON REVERSE SIDE.
- 5 POINT OF MEASUREMENT FOR GOLD.
- 6 ACTION PIN POSTS REQUIRE 1.57 [0.062] MINIMUM THICK PC BOARD. RECOMMENDED PC BOARD HOLES ARE Ø1.151 ± 0.02 [0.0453 ± 0.001] DRILLED HOLE WITH 0.02-0.08 [0.001-0.003] COPPER AND 0.008 [0.0003] MINIMUM TIN-LEAD PLATING. FINISHED HOLE AFTER PLATING, Ø0.94-1.09 [0.037-0.043].
- 7 CONTACT FINISH: DIN 41612 CLASS 2 IN CONTACT AREA. TIN-LEAD ON POSTS.



SUPERSEDED BY 650850-5	2,4,6,8...30,32	X	-	X	32	650850-5
	2,4,6,8...30,32	X	-	X	32	650850-4
POSITIONS LOADED		C	B	A	NO. OF LOADED POSITIONS	ASSY PART NUMBER

DO NOT SCALE PRINT. UNLESS SPECIFIED DIMENSIONS IN mm [INCHES]. TOLERANCES ON: 1 PLC DEC ± - 2 PLC DEC ± 0.13 [0.005] ANGLES ± -	DR L. BRINER 6/1/90 CHK N. DRASHER 12/31/91 APPD N. DRASHER 12/31/91 APPD K.R. PARMER 12/31/91	AMP INCORPORATED Harrisburg, Pa. 17105	
HOUSING: 1 CONTACT: 2	MATERIAL	NAME	
FINISH	APPLICATION SPEC	RECEPTACLE ASSEMBLY, EUROCARD, TYPE "C"	
CONTACT: 3, 7	WEIGHT	SIZE D	FSCM NO 00779
		DRAWING NO	650850
		SCALE	4:1
		SHEET	1 OF 1