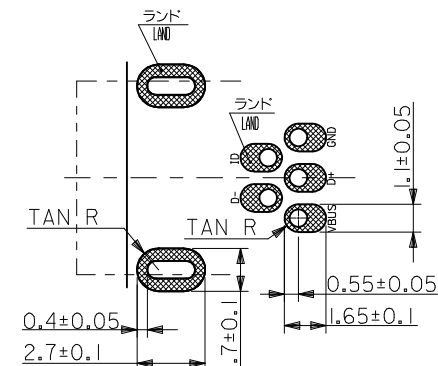
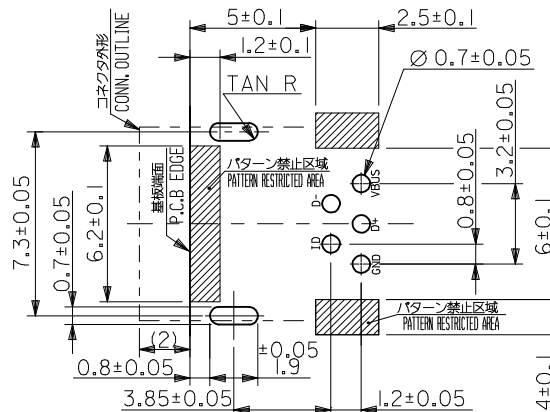
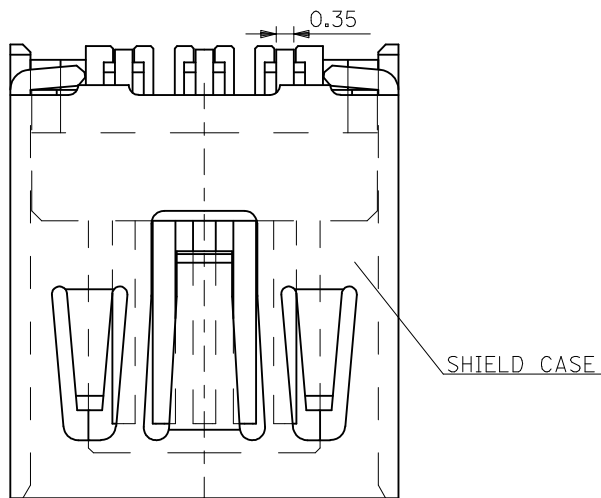
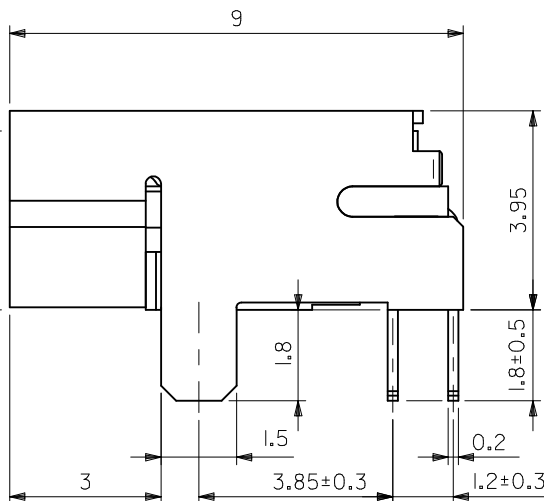
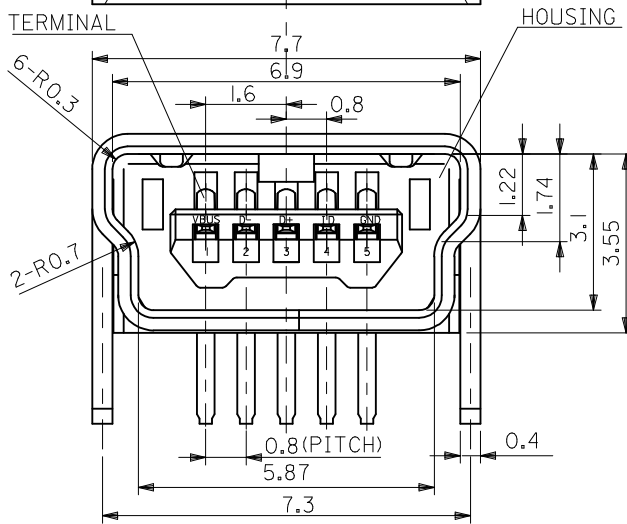


コネクタ実装側 (CONNECTOR MOUNT SIDE)

逆側 (REVERSE SIDE)



推奨基板寸法  
RECOMMENDED P.C.B. PATTERN LAYOUT

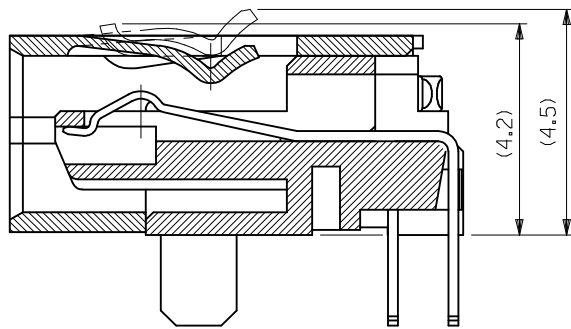


- 注記 1. 材質  
NOTES MATERIAL  
ハウジング: PA, ガラス充填, 黒色, UL94V-0  
HOUSING: PA, GLASS FILLED, BLACK, UL94V-0  
ターミナル: 銅合金 (t=0.2)  
TERMINAL: COPPER ALLOY (t=0.2)  
シールド ケース: 銅合金 (t=0.4)  
SHIELD CASE: COPPER ALLOY (t=0.4)
2. メッキ仕様  
PLATING  
ターミナル  
TERMINAL  
接点部: 金メッキ 0.76MICRO METER MIN.  
CONTACT AREA: GOLD 0.76MICRO METER MIN.  
半田付カ部: 錫メッキ 1.0MICRO METER MIN.  
SOLDER TAIL AREA: TIN 1.0MICRO METER MIN.  
下地部: ニッケルメッキ 1.0MICRO METER MIN.  
UNDER PLATING: NICKEL 1.0MICRO METER MIN.  
シールド ケース  
SHIELD CASE  
: 錫メッキ 1.0 MICROMETER MIN.  
: TIN 1.0MICRO METER MIN.  
下地部: ニッケルメッキ 1.0MICRO METER MIN.  
UNDER PLATING: NICKEL 1.0MICRO METER MIN.
3. 本製品は54819-0511の鉛フリー品である。  
THIS PRODUCT IS LEAD FREE OF 54819-0511.

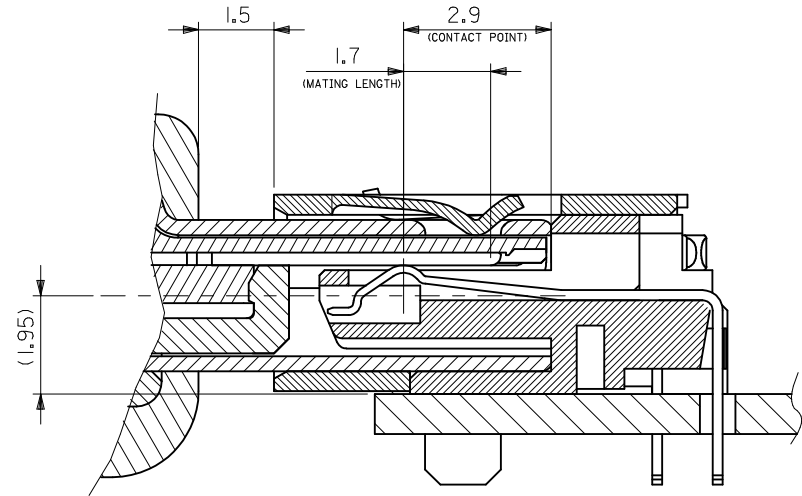
54819-0519  
MATERIAL No.

MODEL No.54819-\*\*-19

REVISED EC NO: J2009-1533 DRW: NESATO 2009/06/25 CHKD: MATSUMOTO 2009/06/25 APPR: NUKITA 2009/06/25	GENERAL TOLERANCES (UNLESS SPECIFIED)		DIMENSION STYLE	SCALE	DESIGN UNITS	THIRD ANGLE PROJECTION	
			MM ONLY	10:1	METRIC		
	DESCRIPTION	10 UNDER	±0.2	DRAWN BY	DATE	TITLE	USB SERIES MINI-B RECEPTACLE ASS'Y -LEAD FREE- MOLEX INCORPORATED
		10 OVER 30 UNDER	±0.25	M. NAGATA	2004/04/28		
	30 OVER	±0.3	K. TOJO	2004/04/28			
	ANGULAR ±3 °		APPROVED BY	DATE			
	DRAFT WHERE APPLICABLE MUST REMAIN WITHIN DIMENSIONS		M. SASAO	2004/04/28			
REV			MATERIAL NO.	SEE TABLE		DOCUMENT NO.	
A				SD-54819-026		SHEET NO.	
			SIZE	THIS DRAWING CONTAINS INFORMATION THAT IS PROPRIETARY TO MOLEX INCORPORATED AND SHOULD NOT BE USED WITHOUT WRITTEN PERMISSION		1 OF 2	
			A3				



SECTION



MATING

MODEL NO. 54819-\*\*\*19

REVISED EC NO: J2009-1533 DRW: NESATO 2009/06/25 CHK'D: MATSUMOTO 2009/06/25 APPR: NUKITA 2009/06/25	DESCRIPTION A	GENERAL TOLERANCES (UNLESS SPECIFIED)		DIMENSION STYLE MM ONLY		SCALE 10:1	DESIGN UNITS METRIC	THIRD ANGLE PROJECTION		
		10 UNDER	±0.2	DRAWN BY M. NAGATA	DATE 2004/04/28	TITLE USB SERIES MINI-B RECEPTACLE ASS'Y -LEAD FREE-				
		10 OVER 30 UNDER	±0.25	CHECKED BY K. TOJO	DATE 2004/04/28	MOLEX INCORPORATED				
		30 OVER	±0.3	APPROVED BY M. SASAO	DATE 2004/04/28	MATERIAL NO. SEE SHEET 1	DOCUMENT NO. SD-54819-026	SHEET NO. 2 OF 2		
ANGULAR ±3 ° DRAFT WHERE APPLICABLE MUST REMAIN WITHIN DIMENSIONS		THIS DRAWING CONTAINS INFORMATION THAT IS PROPRIETARY TO MOLEX INCORPORATED AND SHOULD NOT BE USED WITHOUT WRITTEN PERMISSION								