

MATERIALS AND FINISHES

J BODY, RING BRASS
PLATED SEE TABLE

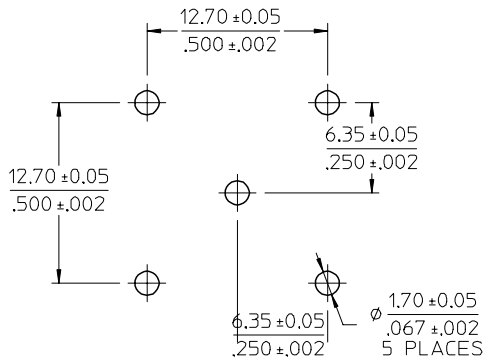
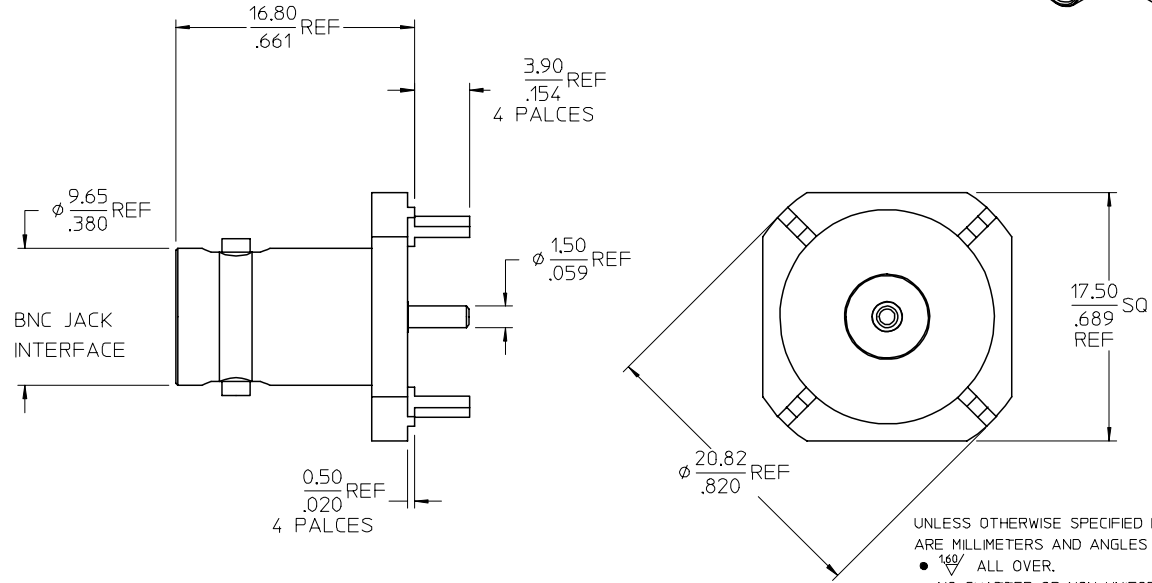
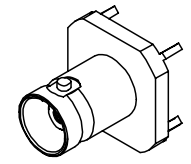
I CENTER CONTACT PHOSPHOR BRONZE
PLATED SEE TABLE

H INSULATOR TEFLON

CHARACTERISTICS:

A. ELECTRICAL - IMPEDANCE: 50 OHM
FREQUENCY RANGE: 4 GHz
TYPICAL VSWR: 1.30 UP TO 4 GHz
PROOF VOLTAGE: 2000 VOLTS
WORKING VOLTAGE: 500 VOLTS

B. ENVIRONMENTAL - -55° TO +155° C



- UNLESS OTHERWISE SPECIFIED DIMS ARE MILLIMETERS AND ANGLES ARE DEGREES.
- ~~16~~ ALL OVER.
 - NO CHATTER OR NON-UNIFORM SURFACE FINISH ALLOWED.
 - PARTS TO BE FREE OF BURRS & SHARP EDGES 0.13(.005) MAX BREAK.
 - EXTERNAL THREADS TO BE ROLLED OR SINGLE POINT.
 - DIAMETERS TO BE CONCENTRIC WITHIN 0.08(.003) TIR.

73133-5005	BODY: SILVER(200 MICROINCHES MIN)/CONTACT: SILVER(200 MICROINCHES MIN)
73133-5003	BODY: NICKEL(70 MICROINCHES MIN)/CONTACT: GOLD(10 MICROINCHES MIN)
73133-5001	BODY: NICKEL(70 MICROINCHES MIN)/CONTACT: SILVER(200 MICROINCHES MIN)

MIL-STD-348A, FIG. 301.2	INTERFACE
SPECIFICATION	DESCRIPTION

PART NO.	PLATING
----------	---------

CHG: REDREW IN SD CHANGED ALL DIMS FROM IN/MM TO MM/IN ADDED PLATING THICKNESSES ADDED INTERFACE SPEC TABLE ADDED DIM 0.150 REF EC NO: URF2005-0716 DRWN: FLAHERT 2004/10/08 CHKD: SHAH 2004/10/08 APPR: WILNER 2004/10/08	QUALITY SYMBOLS	GENERAL TOLERANCES (UNLESS SPECIFIED)	DIMENSION STYLE	SCALE	DESIGN UNITS	THIRD ANGLE PROJECTION	
		mm INCH	MM/IN	DRAWN BY DATE	METRIC		
		4 PLACES ± --- ± ---	± ---	CHECKED BY DATE	BNC VERTICAL PCB RECEPTACLE, 50 OHMS EWR-2604 BNC-J/PCB MOLEX INCORPORATED		
		3 PLACES ± --- ± ---	± ---	APPROVED BY DATE			
	2 PLACES ± --- ± ---	± ---	MATERIAL NO. SEE TABLE DOCUMENT NO. SD-73133-500 SHEET NO. 1 OF 1				
	1 PLACE ± --- ± ---	± ---	DRAFT WHERE APPLICABLE MUST REMAIN WITHIN DIMENSIONS SIZE C THIS DRAWING CONTAINS INFORMATION THAT IS PROPRIETARY TO MOLEX INCORPORATED AND SHOULD NOT BE USED WITHOUT WRITTEN PERMISSION				
	ANGULAR ± 2 °						