

THIS DRAWING IS UNPUBLISHED.

RELEASED FOR PUBLICATION

© COPYRIGHT 20

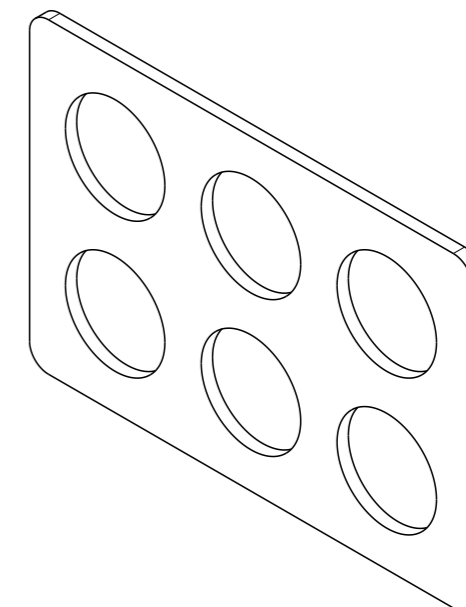
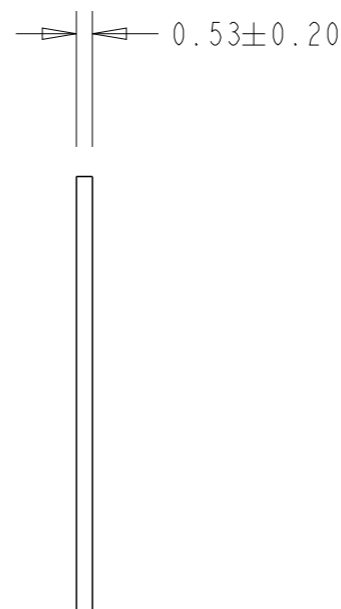
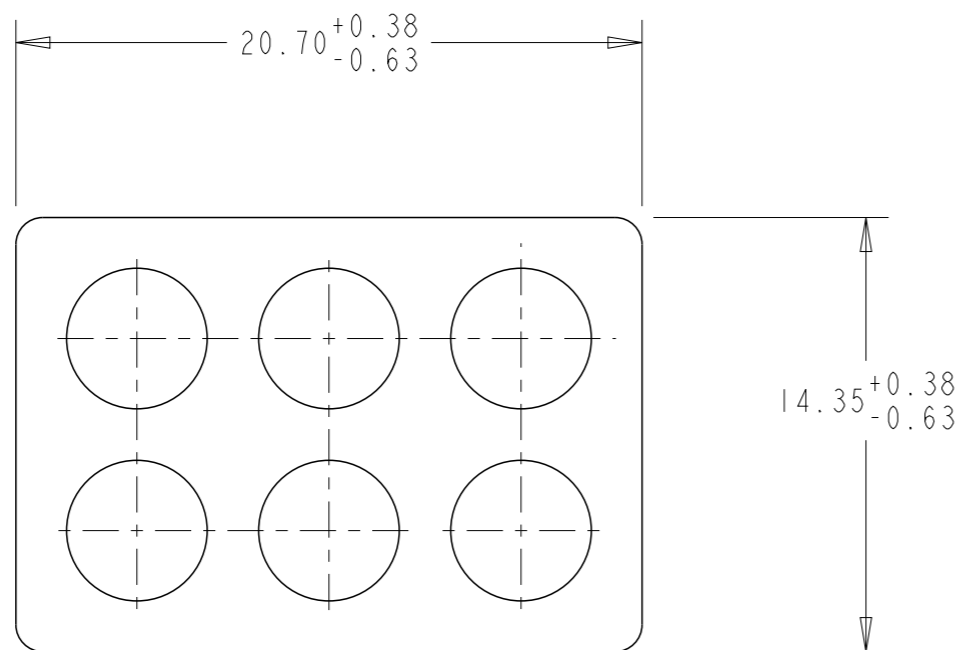
ALL RIGHTS RESERVED.

LOC
CM DIST
45

REVISIONS

P	LTR	DESCRIPTION	DATE	DWN	APVD
	A1	RELEASED PER ECR-12-016071	13SEP2012	KH	TM

1 MATERIAL: CLOSED CELL SILICON FOAM, BLACK
 2. SUPPLIED ON MYLAR TAPE.



2029442-1
PART NUMBER

THIS DRAWING IS A CONTROLLED DOCUMENT.

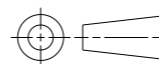
DWN JR RUTH 20JUN12
 CHK THOMAS MICHIELUTTI 20JUN12
 APVD THOMAS MICHIELUTTI 20JUN12
 PRODUCT SPEC



NAME
 TPA SPACER,
 6 CIRCUIT,
 UNIVERSAL MATE-N-LOK-11

DIMENSIONS:
mm

TOLERANCES UNLESS OTHERWISE SPECIFIED:



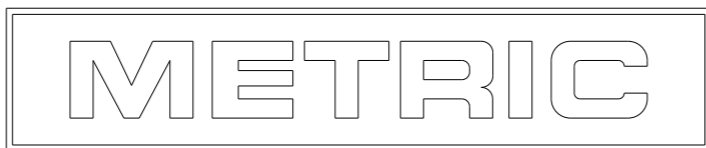
0 PLC ±-
 1 PLC ±-
 2 PLC ±0.51
 3 PLC ±-
 4 PLC ±-
 ANGLES ±-
 FINISH -

MATERIAL



APPLICATION SPEC -
 WEIGHT -

SIZE A3 CAGE CODE 00779 DRAWING NO C-2029442 RESTRICTED TO -



Customer Drawing SCALE 4:1 SHEET 1 OF 1 REV A1