

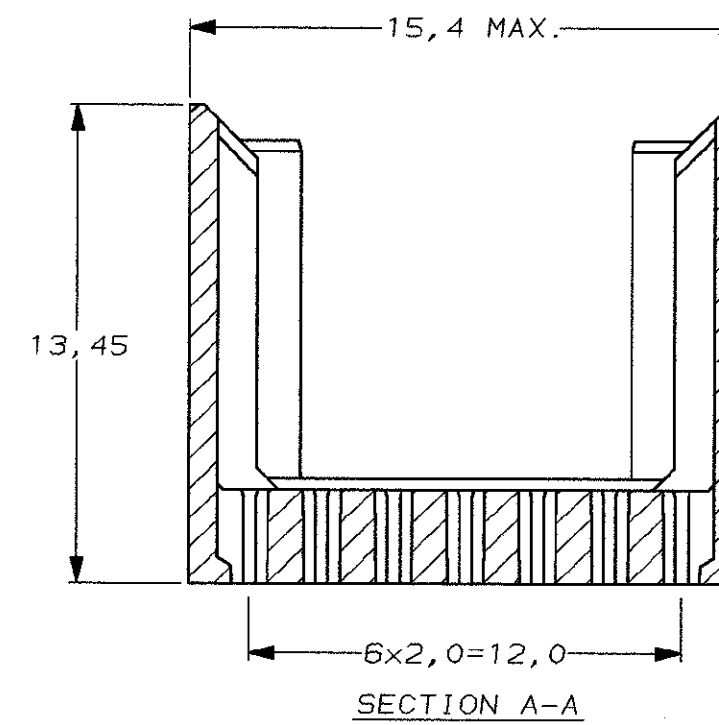
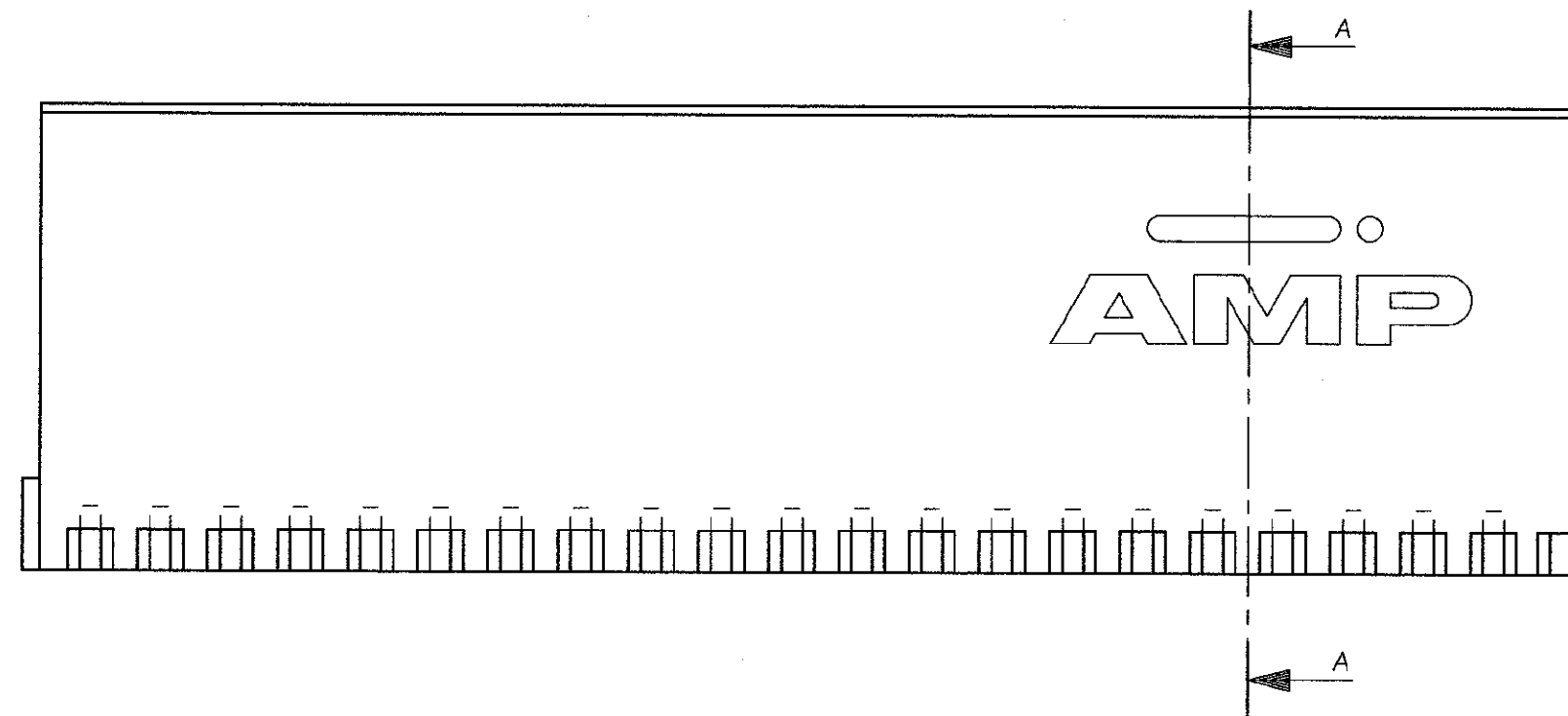
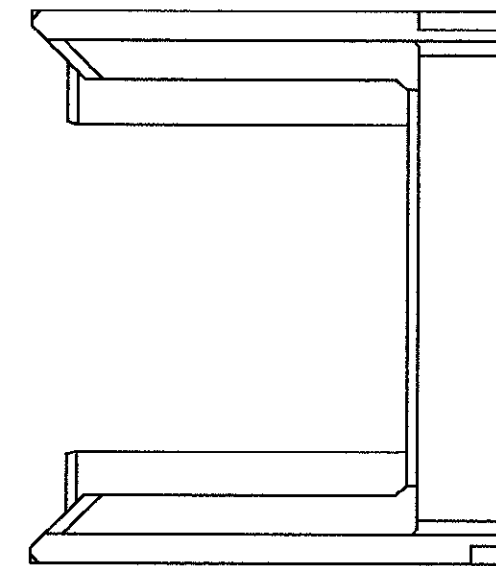
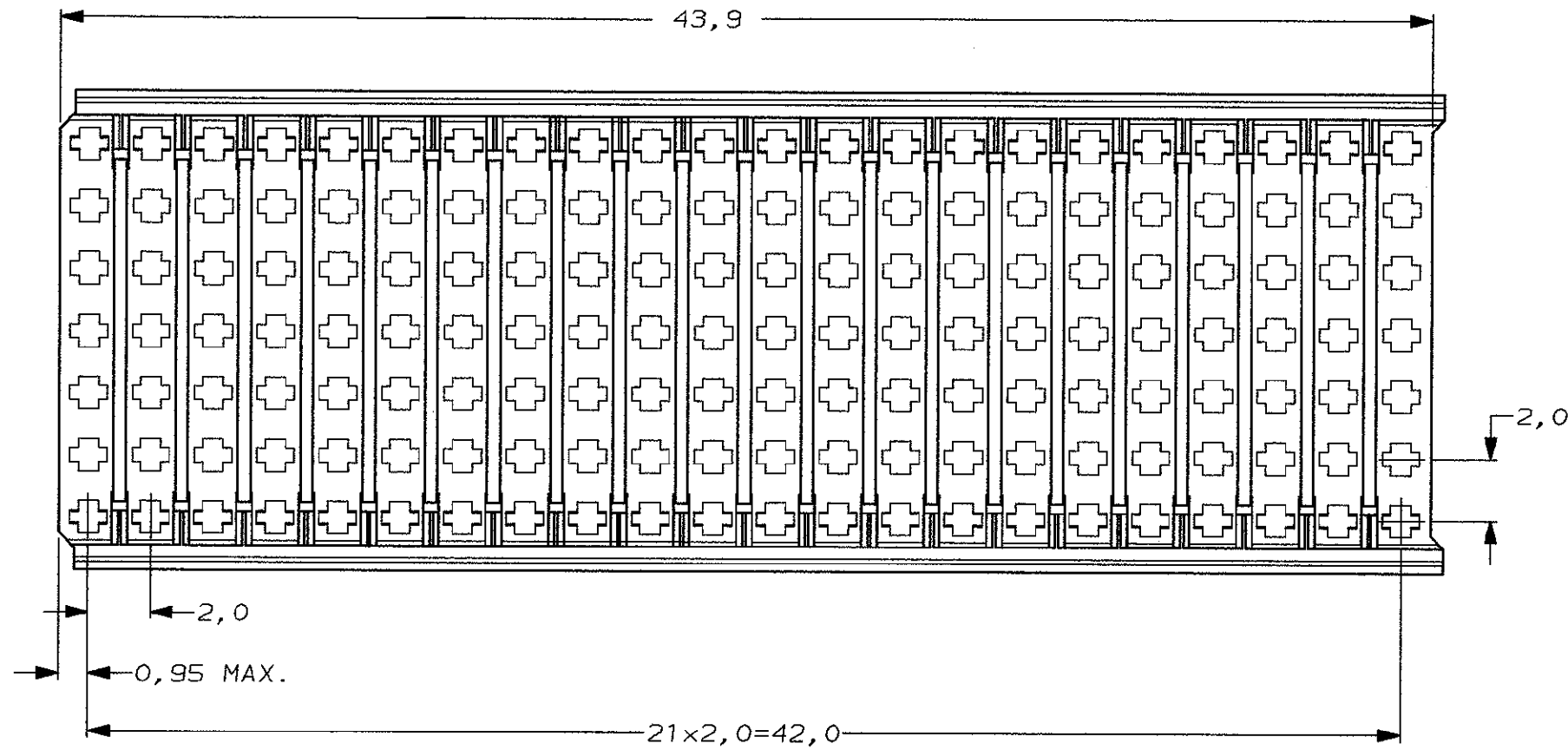
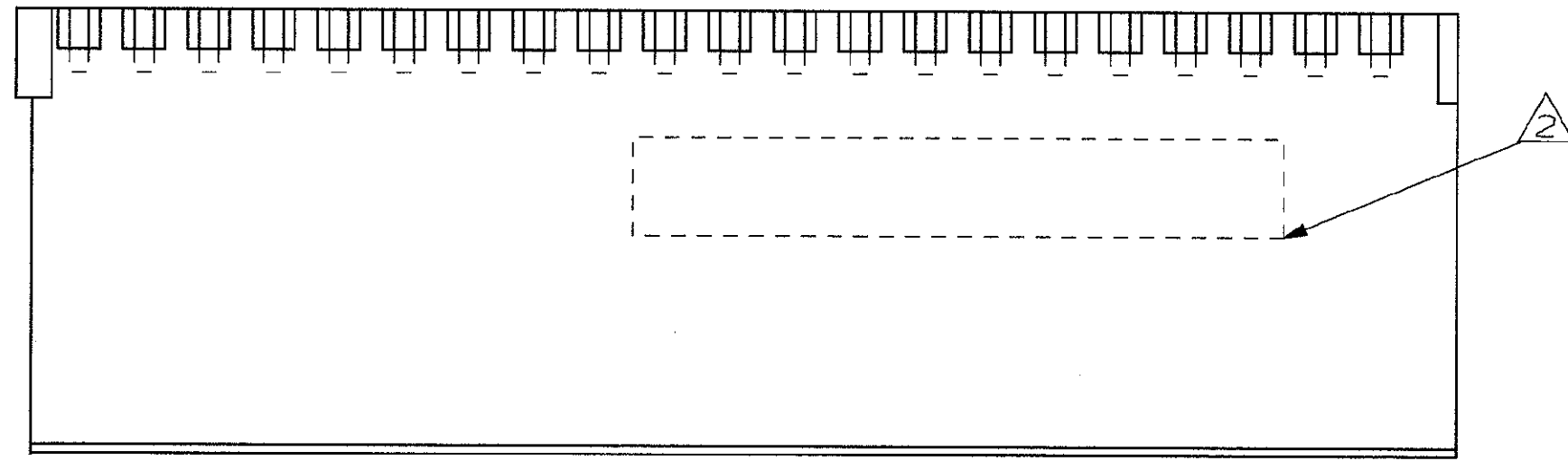
DO NOT SCALE  
DIMENSIONS IN mm

METRIC



NOTES:

- 1 MATERIAL HOUSING: GLASSFILLED POLYESTER.
- △ HOUSING PRINTED WITH PARTNUMBER AND DATE CODE.



352130-2 AS SHOWN

FINISH		MATERIAL		PARTNUMBER	
-	-	-	-	CUSTOMER DRAWING FOR REFERENCE ONLY WILL NOT BE UPDATED	
-	-	-	-	© COPYRIGHT 1996 BY AMP-HOLLAND B.V. ALL INTERNATIONAL RIGHTS RESERVED. AMP PRODUCTS MAY BE COVERED BY U.S. AND FOREIGN AND/OR PATENTS PENDING.	
-	-	-	-	THIS DRAWING IS UNPUBLISHED RELEASED FOR PUBLICATION	
AMP				AMP HOLLAND B.V. 's-Hertogenbosch, The Netherlands.	
A	EH-0196-96	DT	FvK	05-DEC-96	NAME
0	EH-0196-96	DT	FvK	19-AUG-96	Z-PACK 2mm HM
LTR. REVISION RECORD				DR. CHK. DATE	
DR. D. TRUREN				APP. B. MOOIJ	
DATE: 19-AUG-96				DATE: 19-AUG-96	
				DATE: 1-7-97	
				DWG. No. C-352130	
				REV. LTR. SHEET A 1 OF 1 A2	