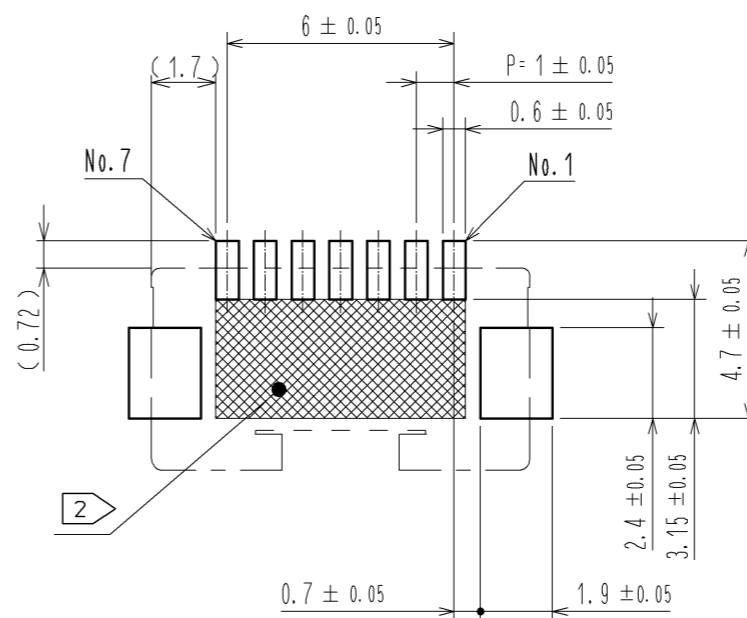
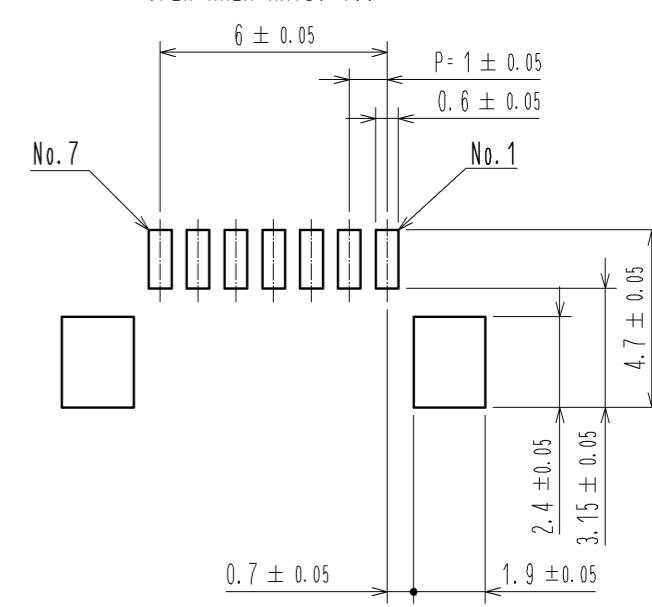


RECOMMENDED PCB LAYOUT (MOUNTING SURFACE SIDE) (FREE)

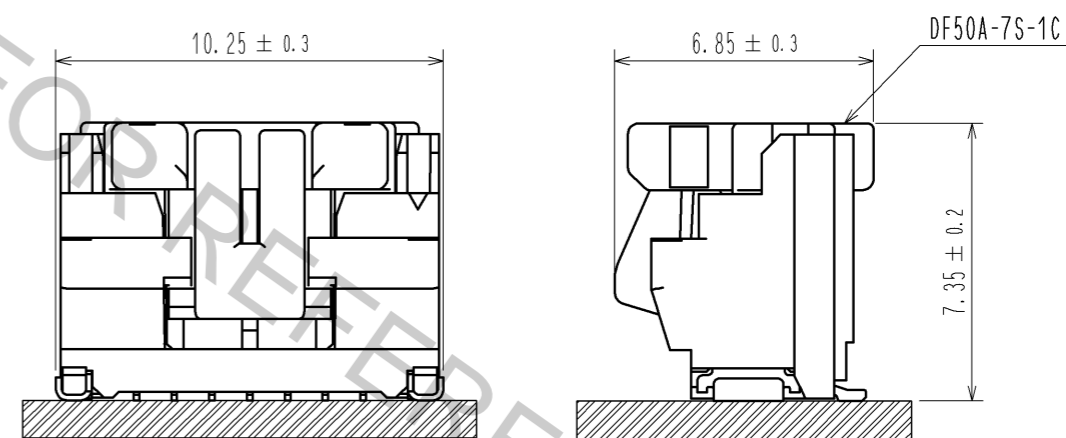


RECOMMENDED METAL MASK (FREE)

THICKNESS : 0.1mm
OPEN AREA RATIO:100%

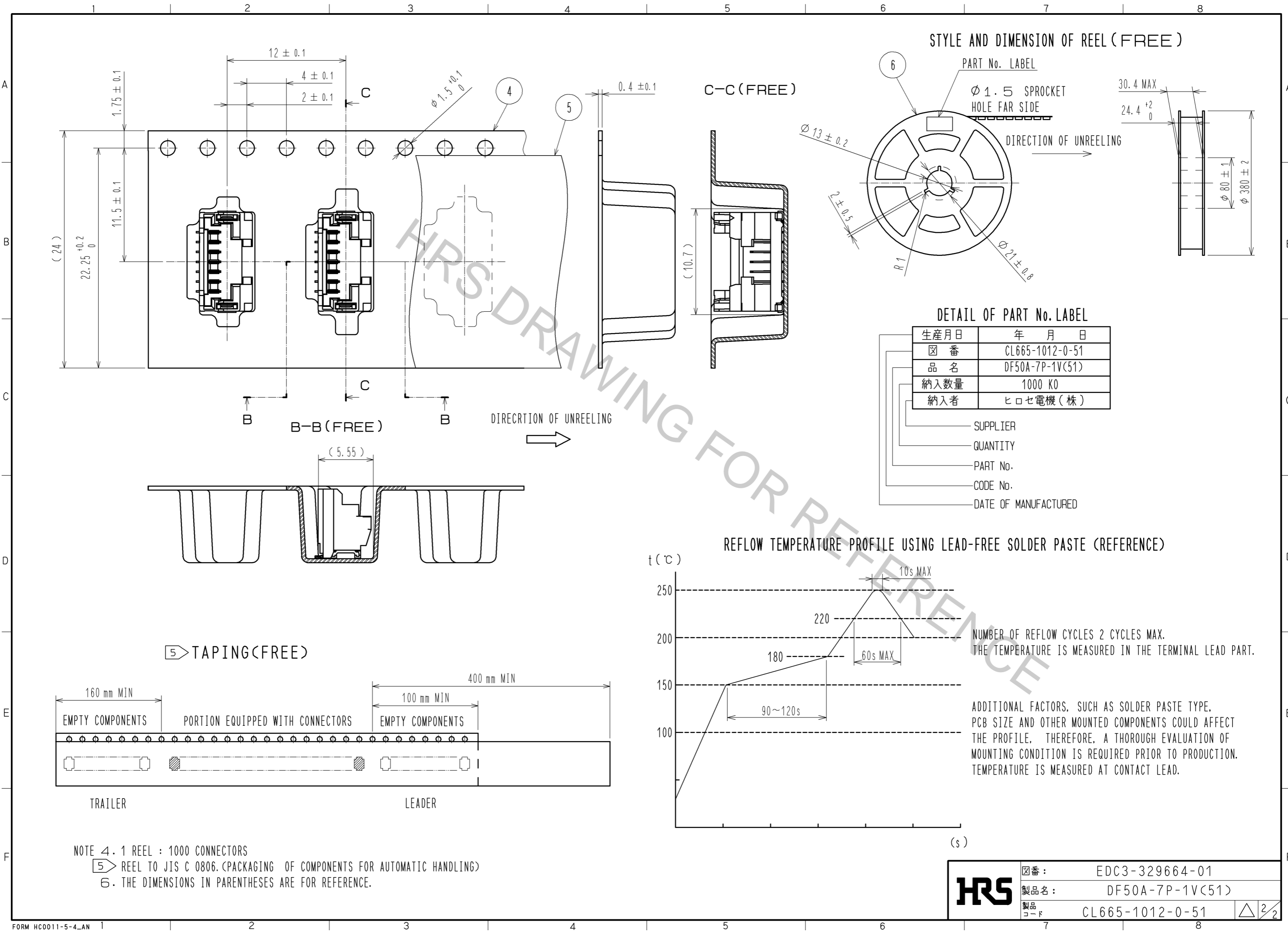


MATING FIGURE(5:1)



- NOTES 1. LEAD CO-PLANARITY SHALL BE 0.1mm MAX
 2. AREA INDICATED MUST BE FREE OF CONDUCTIVE TRACES OR THE CONDUCTIVE TRACES MUST BE COVERED BY RESIST FILM.
 3. PLEASE CONSULT HIROSE WHEN THE PRODUCT IS MONUTED TO FPC.

3	PHOSPHOR BRONZE	CONTACT AREA : Sn PLATING 1μm MIN UNDER PLATING : Cu PLATING 0.3μm MIN	6	PS	REEL . BLACK
2	BRASS	CONTACT AREA : Au PLATING 0.05μm MIN LEAD AREA : Au PLATING 0.05μm MIN UNDER PLATING : Ni PLATING 1μm MIN	5	POLYESTER	CLEAR
1	LCP	BLACK . UL94V-0	4	PS	CLEAR
NO.	MATERIAL	FINISH . REMARKS	NO.	MATERIAL	FINISH . REMARKS
UNITS mm		SCALE 5 : 1	COUNT △	DESCRIPTION OF REVISIONS	
DESIGNED		DESIGNED	DESIGNED	DESIGNED	DATE
CHECKED		CHECKED	CHECKED	CHECKED	DATE
DRAWN		DRAWN	DRAWN	DRAWN	DATE
APPROVED : KI. AKIYAMA			13.05.15		
CHECKED : HK. UMEHARA			13.05.15		
DESIGNED : ST. SATO			13.05.15		
DRAWN : MI. SAKIMURA			12.06.28		
DRAWING NO.				EDC3-329664-01	
PART NO.				DF50A-7P-1V(51)	
CODE NO.				CL665-1012-0-51	



STYLE AND DIMENSION OF REEL (FREE)

PART No. LABEL

φ 1.5 SPROCKET HOLE FAR SIDE

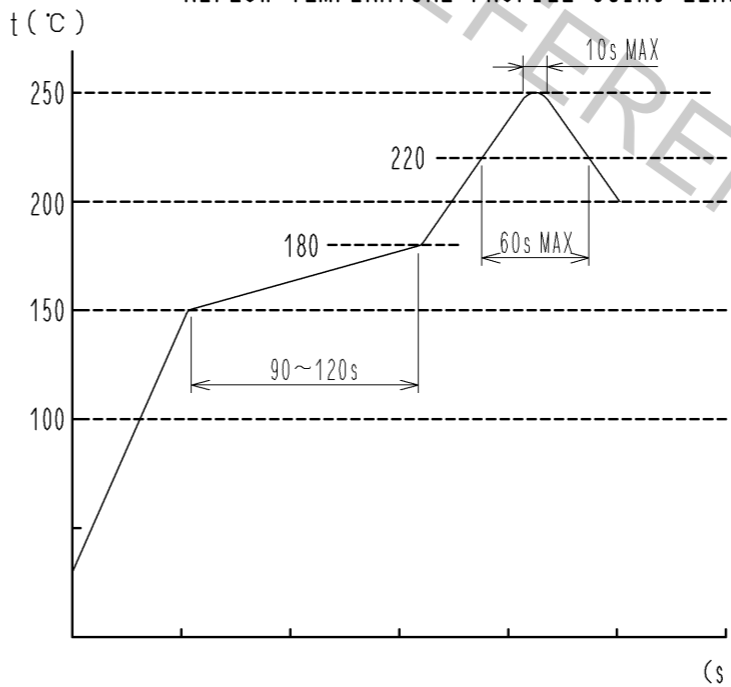
DIRECTION OF UNREELING

DETAIL OF PART No. LABEL

生産月日	年 月 日
図 番	CL665-1012-0-51
品 名	DF50A-7P-1V(51)
納入数量	1000 KO
納入者	ヒロセ電機(株)

- SUPPLIER
- QUANTITY
- PART No.
- CODE No.
- DATE OF MANUFACTURED

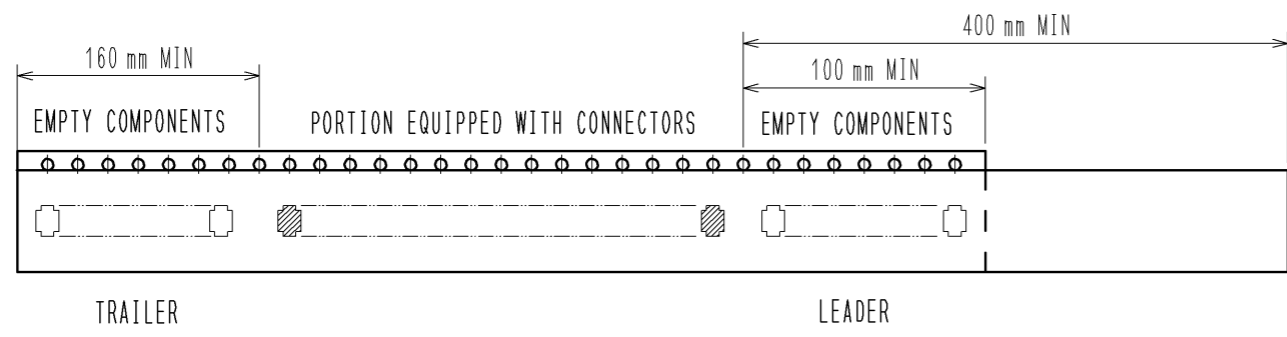
REFLOW TEMPERATURE PROFILE USING LEAD-FREE SOLDER PASTE (REFERENCE)



NUMBER OF REFLOW CYCLES 2 CYCLES MAX.
THE TEMPERATURE IS MEASURED IN THE TERMINAL LEAD PART.

ADDITIONAL FACTORS, SUCH AS SOLDER PASTE TYPE, PCB SIZE AND OTHER MOUNTED COMPONENTS COULD AFFECT THE PROFILE. THEREFORE, A THOROUGH EVALUATION OF MOUNTING CONDITION IS REQUIRED PRIOR TO PRODUCTION. TEMPERATURE IS MEASURED AT CONTACT LEAD.

5 TAPING (FREE)



NOTE 4. 1 REEL : 1000 CONNECTORS
5 REEL TO JIS C 0806. (PACKAGING OF COMPONENTS FOR AUTOMATIC HANDLING)
6. THE DIMENSIONS IN PARENTHESES ARE FOR REFERENCE.

HRS	図番:	EDC3-329664-01
	製品名:	DF50A-7P-1V(51)
	製品コード:	CL665-1012-0-51