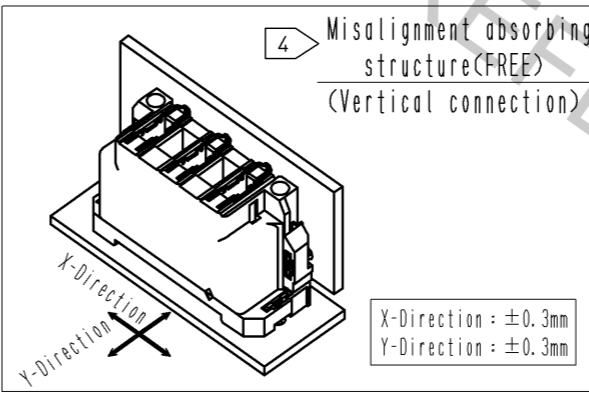


- NOTE
- 1 This product is packaged in tray. (25pcs/tray)
  - 2 Blemish and hit mark can be occurred through out the manufacturing process which doesn't affect quality level. Also, black spot could be observed on the surface of housing.
  - 3 For the contact NO., adjacent two pairs of leads placed back-to-back (4 leads in total) Compose one line.
  - 4 Misalignment absorbing range: ±0.3mm max.
  - 5 The dimension in parentheses are for references.
  - 6 Lot NO. is indicated at either one of the position as shown.
  - 7 Possible short shot and/or burr at the indicated area does not affect the product quality.

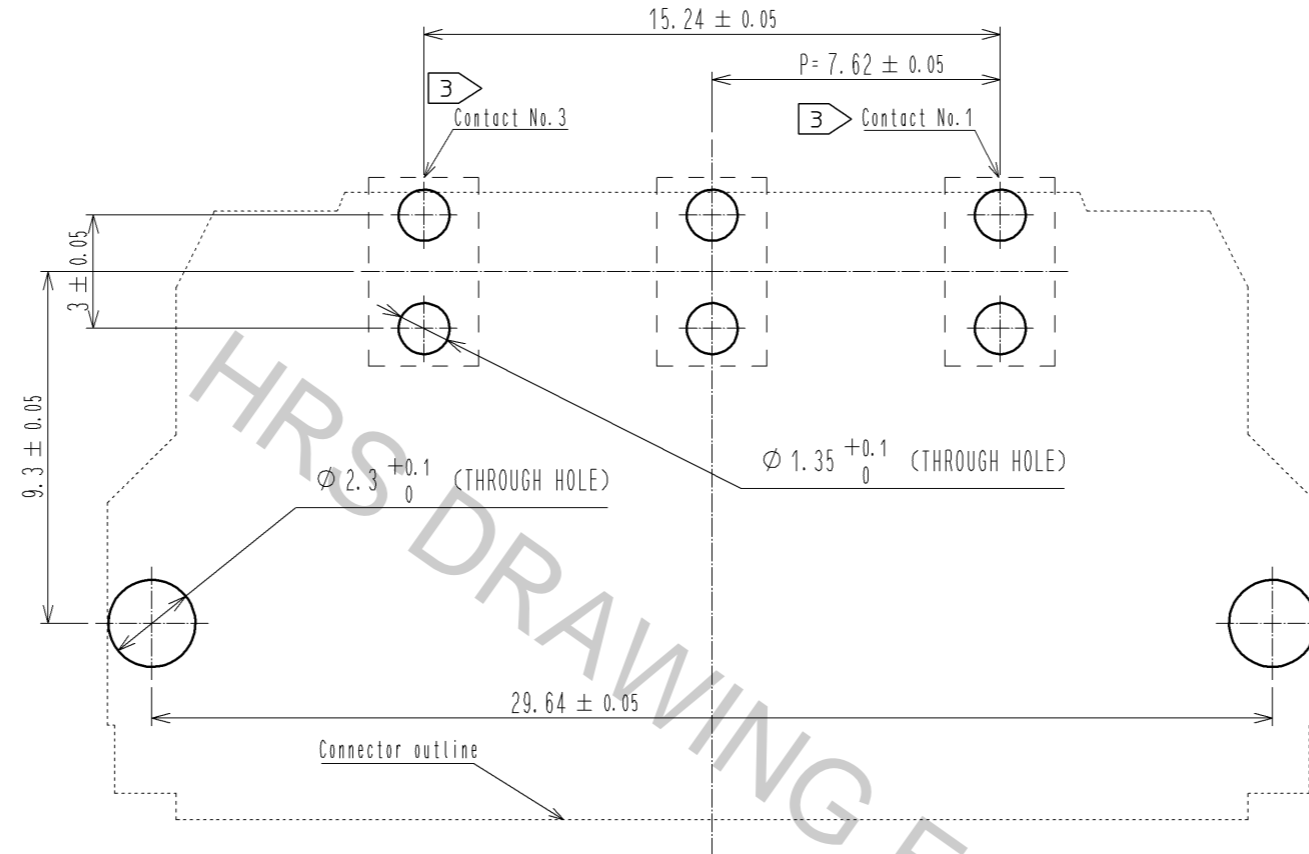


2	Copper alloy	Contact area:Gold-plating 0.1μm Lead area:Tin-plating 1.0μm Under plating:Nickel 1.0μm	4	Phosphor bronze	Tin-plating 3.0μm Under plating:Nickel 1.0μm
1	Polyamide	Black UL94V-0	3	Copper alloy	Contact area:Gold-plating 0.1μm Lead area:Tin-plating 1.0μm Under plating:Nickel 1.0μm

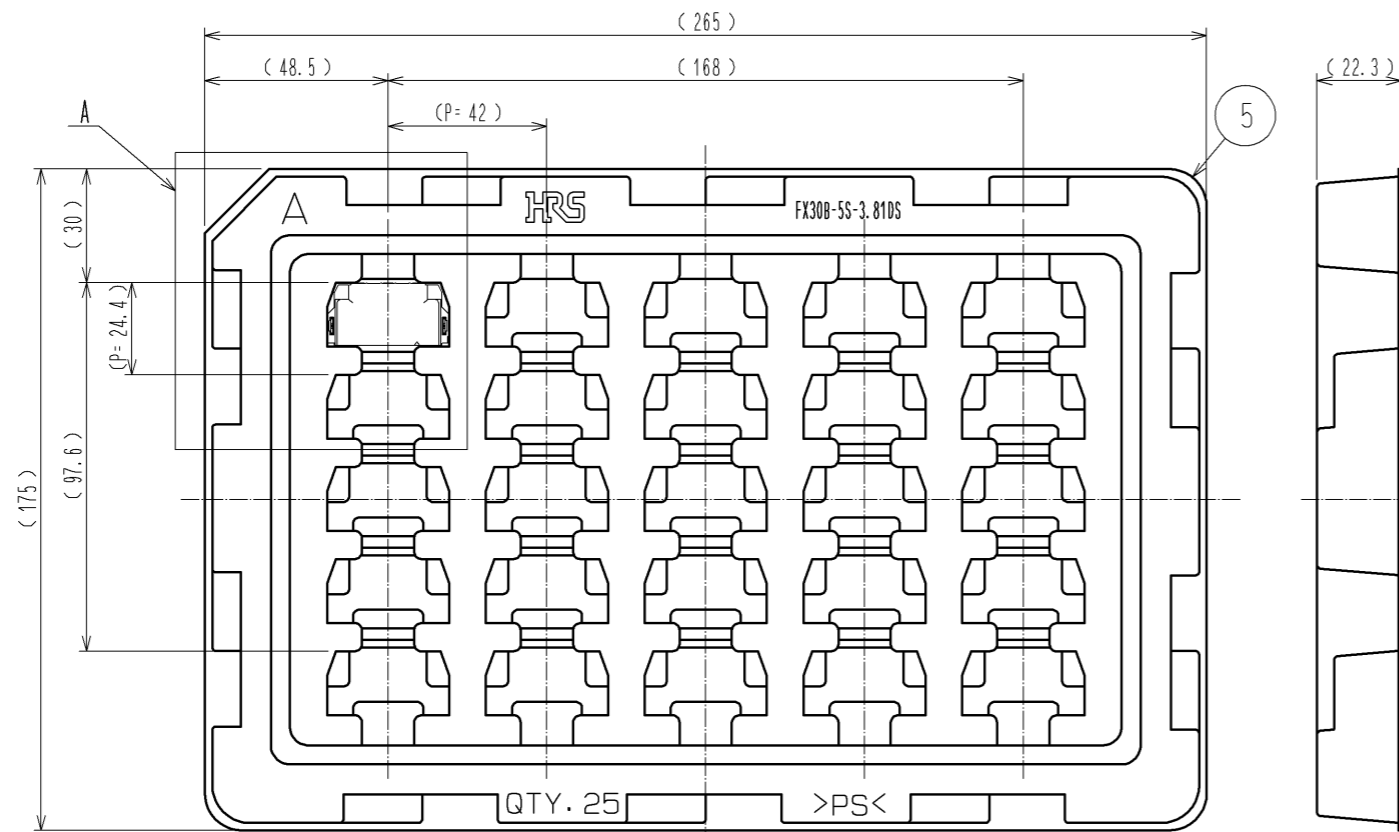
NO.	MATERIAL	FINISH .	REMARKS	NO.	MATERIAL	FINISH .	REMARKS
5	Polystyrene						

UNITS	mm	SCALE	2 : 1	COUNT	△	DESCRIPTION OF REVISIONS	DESIGNED	CHECKED	DATE
APPROVED : HS. OKAWA		14.09.12		DRAWING NO.		EDC3-359167-00			
CHECED : KN. SHIBUYA		14.09.12		PART NO.		FX30B-3S-7.62DS			
DESIGNED : DK. AIMOTO		14.09.12		CODE NO.		CL570-3605-0-00			
DRAWN : DK. AIMOTO		14.09.12							

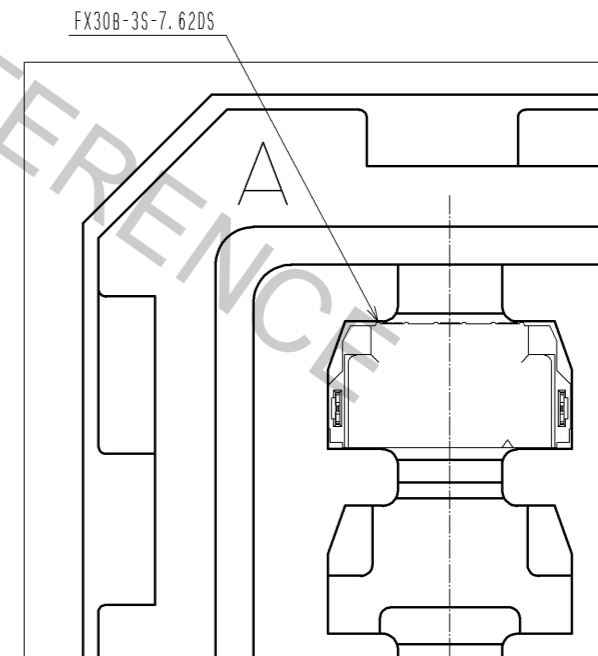
Recommended hole pattern dimension of PCB(5:1)  
 (Connector mounting side, PCB thickness:t=1.6mm)



1 Drawing for packaging(1:2)



A(1:1)



<b>HRS</b>	DRAWING NO.	EDC3-359167-00	2/2
	PART NO.	FX30B-3S-7.62DS	
	CODE NO.	CL570-3605-0-00	