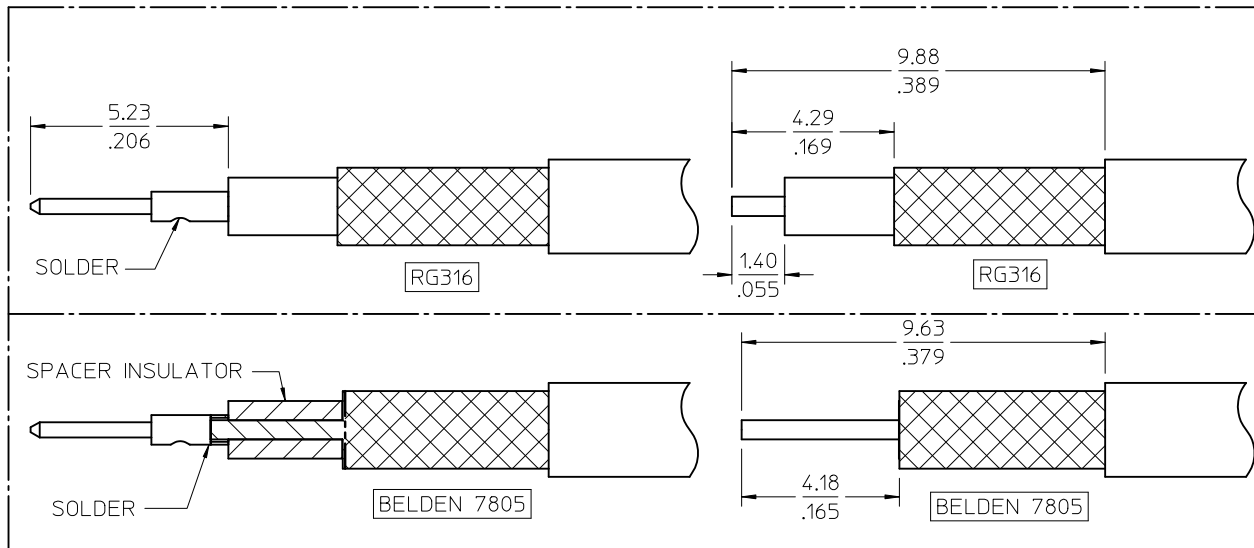
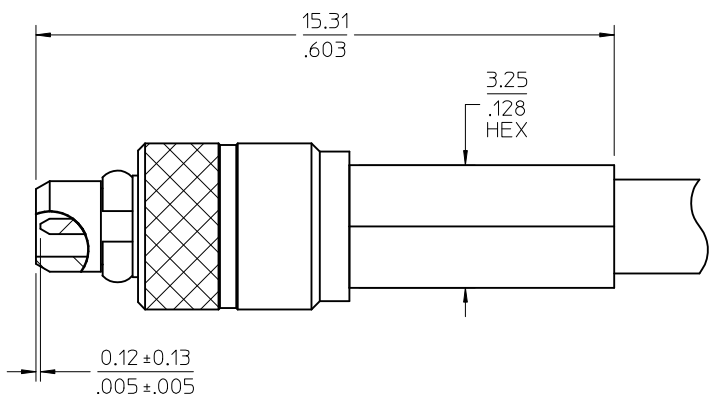
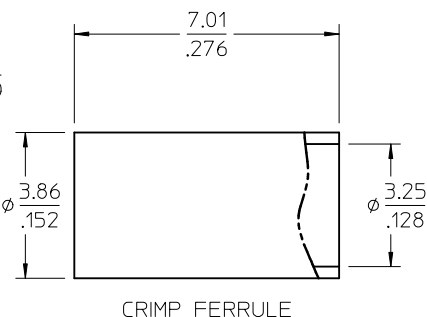
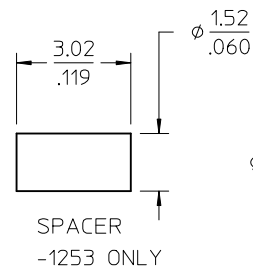
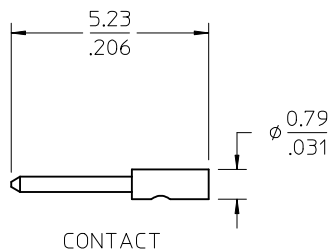
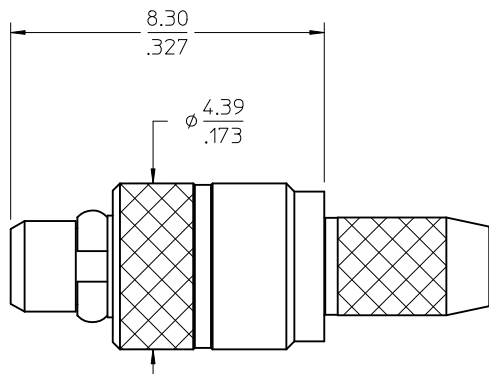


MATERIALS AND FINISHES

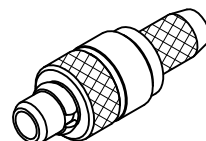
BODY BRASS
PLATED GOLD

CENTER CONTACT BRASS
PLATED GOLD

INSULATOR TEFLON



73415-1253	COMMERCIAL REQS	STANDARD USING BELDEN 7805 CABLE
73415-1252	COMMERCIAL REQS	1 PIECE 73415-1251 IN SINGLE BAG WITH LABEL
73415-1251	COMMERCIAL REQS	STANDARD
73415-1250	MILITARY REQS	STANDARD
PART NO.	FINISH	PACKAGING



CECC-22-340	INTERFACE
PS-89675-1920	ELECTRO/MECH PERFORM.
SPECIFICATION	DESCRIPTION

CHG: ADDED -1253; BELDEN CABLE VIEW; ADDED SPACER VIEW EC NO: URF2012-0550 DRWN:JLEE02 2012/04/23 CHKD:SSS 2012/04/24 APPR:JWIENER 2012/04/25 REV: A3	QUALITY SYMBOLS ▽=0 ▽=0	GENERAL TOLERANCES (UNLESS SPECIFIED) mm INCH 4 PLACES ± --- ± --- 3 PLACES ± --- ± --- 2 PLACES ± --- ± --- 1 PLACE ± --- ± --- ANGULAR ± 2 °	DIMENSION STYLE MM/IN DRAWN BY DATE TEF 2000/06/13 CHECKED BY DATE SSS 2000/06/13 APPROVED BY DATE GMH 2000/06/13	SCALE DESIGN UNITS METRIC THIRD ANGLE PROJECTION	TITLE MMCX PLUG STRAIGHT FOR RG316 CABLE MMCX-PC MOLEX INCORPORATED	MATERIAL NO. SEE TABLE DOCUMENT NO. SD-73415-125 SHEET NO. 1 OF 1
	DRAFT WHERE APPLICABLE MUST REMAIN WITHIN DIMENSIONS					
	THIS DRAWING CONTAINS INFORMATION THAT IS PROPRIETARY TO MOLEX INCORPORATED AND SHOULD NOT BE USED WITHOUT WRITTEN PERMISSION					
	A3					