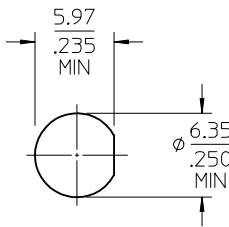
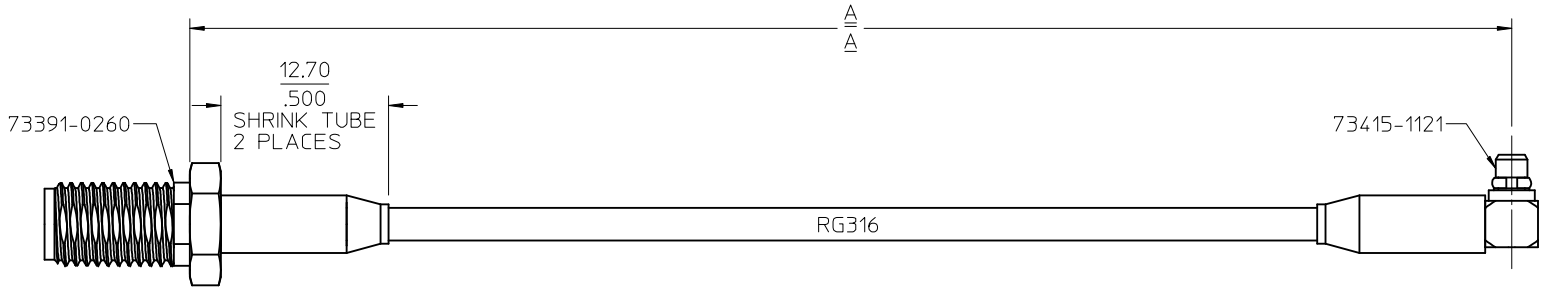
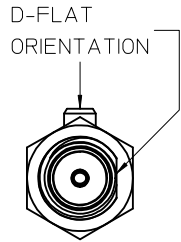
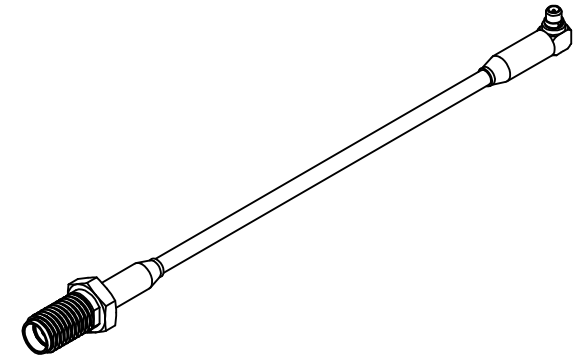


MATERIALS AND FINISHES

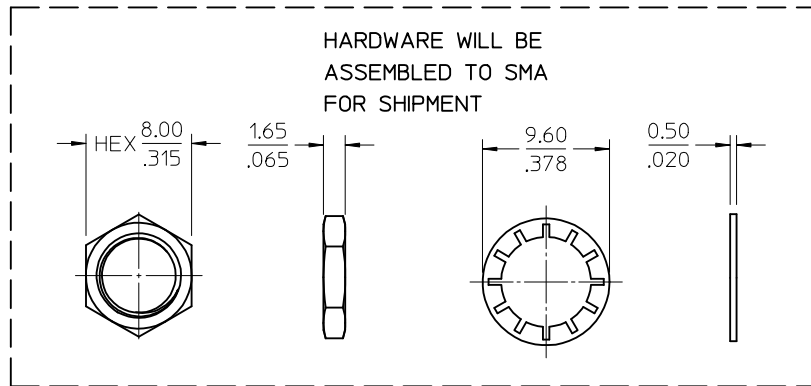
CABLES WILL BE INDIVIDUALLY BAGGED

- SMA JACK: SEE SD-73391-026
- MMCX PLUG: SEE SD-73415-112
- CABLE: RG316
- SHRINK TUBE: VERSAFIT

BAG LABEL:
MOLEX: P/N
DATE CODE



RECOMMENDED PANEL CUTOUT
MAX PANEL THICKNESS 3.18 (.125)



HARDWARE WILL BE ASSEMBLED TO SMA FOR SHIPMENT

89761-6822	18.0±.35	457.2±8.89	POLYBAG
89761-6821	12.0±.25	304.8±6.35	POLYBAG
89761-6820	6.00±.25	152.4±6.35	POLYBAG
PART NO.	IN	MM	PACKAGING
A			

CECC-22-340	INTERFACE MMCX
MIL-STD-348A, FIG. 310.2	INTERFACE SMA
SPECIFICATION	DESCRIPTION

CHG: REGENERATED IN SYSTEM PER RF12-E082 EC NO: URF2013-0035 DRAWN: YEH CHKD: APPR: HUANG	2012/07/13 2012/07/28 DESCRIPTION REV	QUALITY SYMBOLS	GENERAL TOLERANCES (UNLESS SPECIFIED)	DIMENSION STYLE	SCALE	DESIGN UNITS	THIRD ANGLE PROJECTION
		▽=0	mm INCH	MM/IN	3.5:1	METRIC	CA SMA J STR BKHD TO MMCX P R/A W/RG316 CA-SMAJ/MMCXP, EWR-3874
		▽=0	4 PLACES ± --- ± ---	DRAWN BY DATE	SEE TABLE SD-89761-682		
		▽=0	3 PLACES ± --- ± ---	CHECKED BY DATE		DOCUMENT NO.	SHEET NO.
DRAFT WHERE APPLICABLE MUST REMAIN WITHIN DIMENSIONS			ANGULAR ± 2 ° MATERIAL NO. SIZE C	THIS DRAWING CONTAINS INFORMATION THAT IS PROPRIETARY TO MOLEX INCORPORATED AND SHOULD NOT BE USED WITHOUT WRITTEN PERMISSION		1 OF 1	