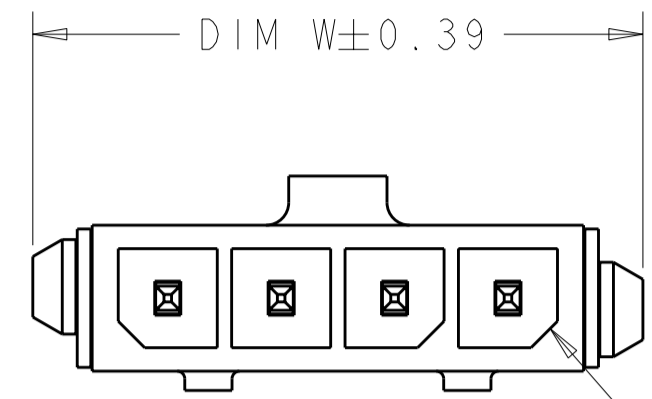
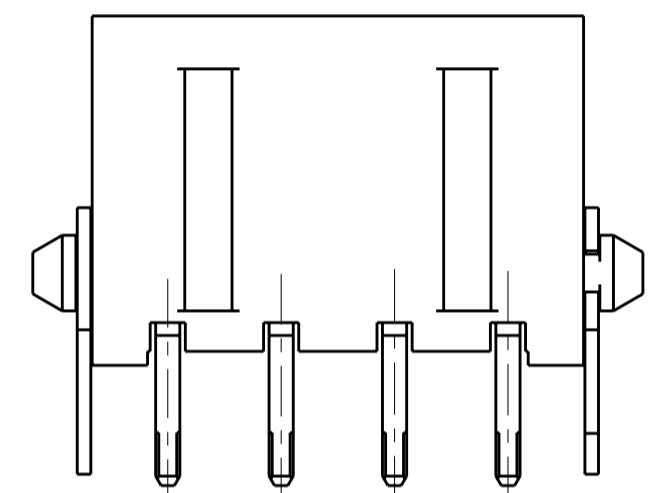
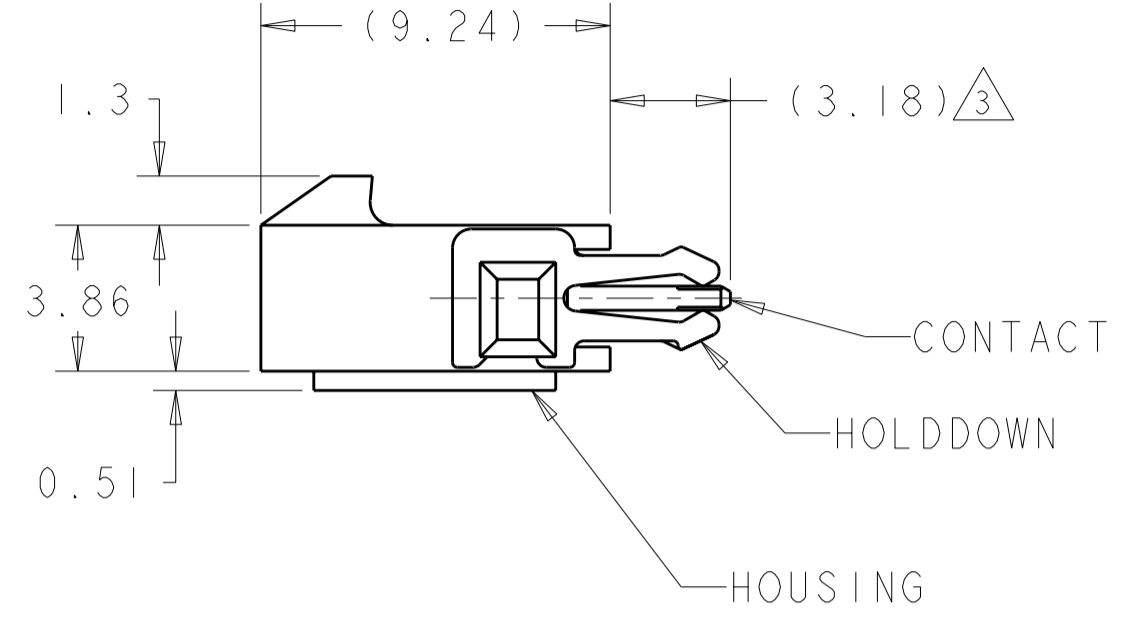


THIS DRAWING IS UNPUBLISHED. RELEASED FOR PUBLICATION 20  
 © COPYRIGHT 20 BY - ALL RIGHTS RESERVED.

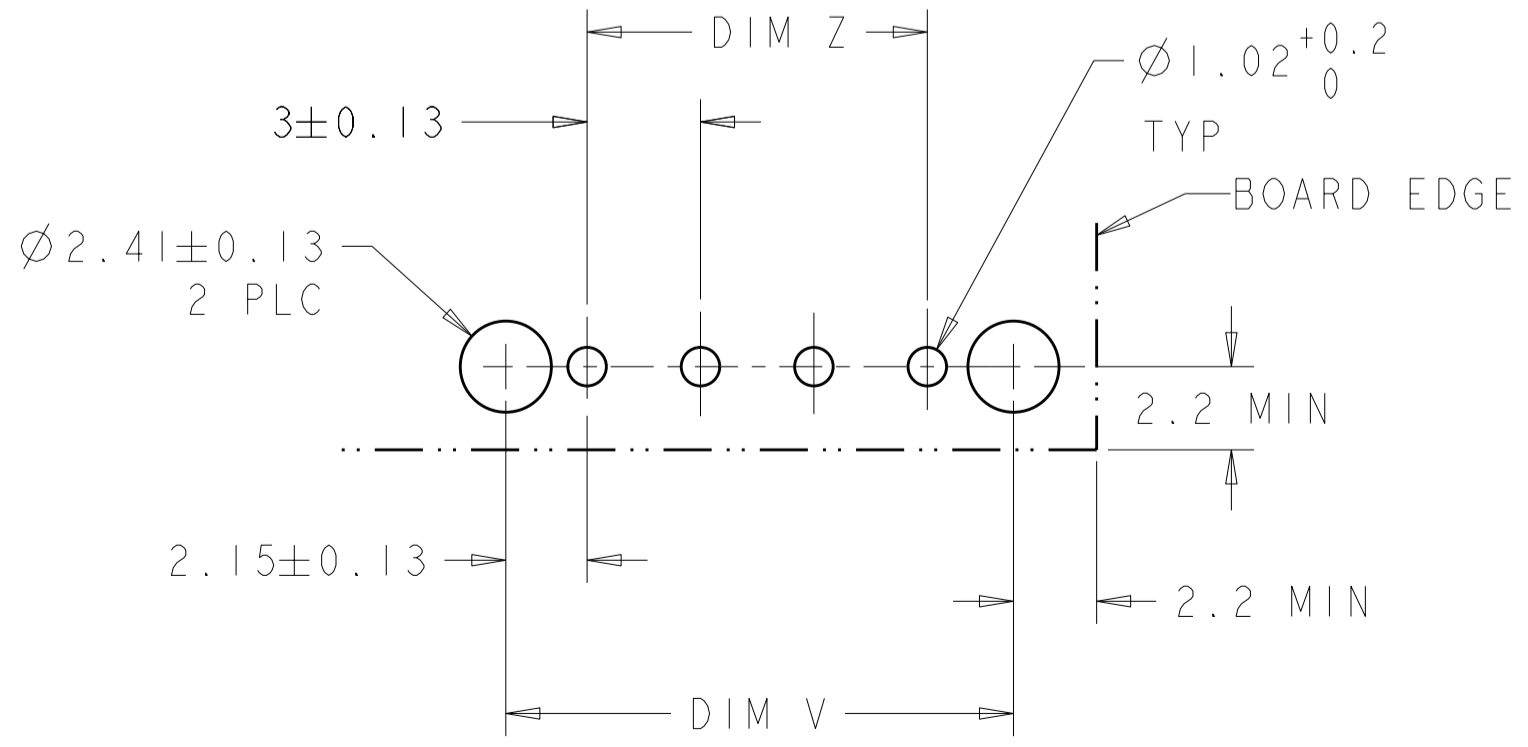
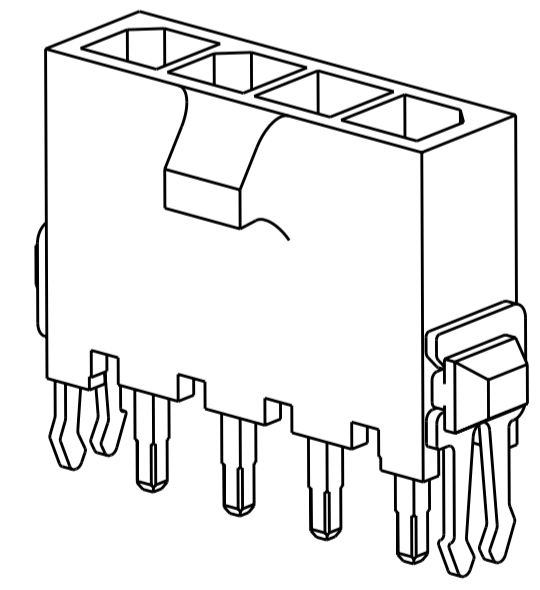
LOC		DIST		REVISIONS			
P	LTR	DESCRIPTION	DATE	DWN	APVD		
CM	00	AI	REVISED PER ECR-12-007353	18MAY2012	KH	TM	



CIRCUIT 1



(3)  
(DIM T)



PCB LAYOUT COMPONENT SIDE

- 1 MATERIAL: CONTACTS - BRASS  
 HOUSING - UL 94V-0 RATED HIGH TEMP NYLON, COLOR BLACK.  
 HOLDDOWNS- PHOSPHOR BRONZE.
- 2 PLATING: CONTACTS - 0.76µm MINIMUM GOLD ON MATING END, 2.54µm MINIMUM MATTE TIN ON SOLDER TAILS, BOTH OVER 1.27µm MINIMUM NICKEL.  
 HOLDDOWNS- 2.54µm MINIMUM MATTE TIN OVER 1.27µm MINIMUM NICKEL.
- 3 NO BARE EDGES ALLOWED ON SOLDER TAILS.
- 4 RECOMMENDED PC BOARD THICKNESS OF 1.57.

2	27.00	31.43	27.00	34.14	10	1-2029037-0
2	9.00	13.43	9.00	16.14	4	2029037-4
FINISH	DIM Z	DIM V	DIM T	DIM W	NO. OF POSN	PART NUMBER

THIS DRAWING IS A CONTROLLED DOCUMENT.		DWN K. WHITAKER 17 JAN 2008	TE Connectivity	
DIMENSIONS: mm		CHK C. JONES 17 JAN 2008		
TOLERANCES UNLESS OTHERWISE SPECIFIED:		APVD C. JONES 17 JAN 2008	NAME VERT THRU HOLE HEADER ASSY, 0.76 MIC GOLD CONTS, W/THRU HOLE HOLDDOWNS, SINGLE ROW, MICRO MATE-N-LOK(TM)	
0 PLC ± 1 PLC ± 2 PLC ±0.20 3 PLC ± 4 PLC ± ANGLES ±		PRODUCT SPEC 108-1836	SIZE A200779	
MATERIAL 1 - SEE TABLE		APPLICATION SPEC 114-13000	DRAWING NO C-2029037	
		WEIGHT -	RESTRICTED TO -	
		CUSTOMER DRAWING	SCALE 5:1 SHEET 1 OF 1 REV AI	