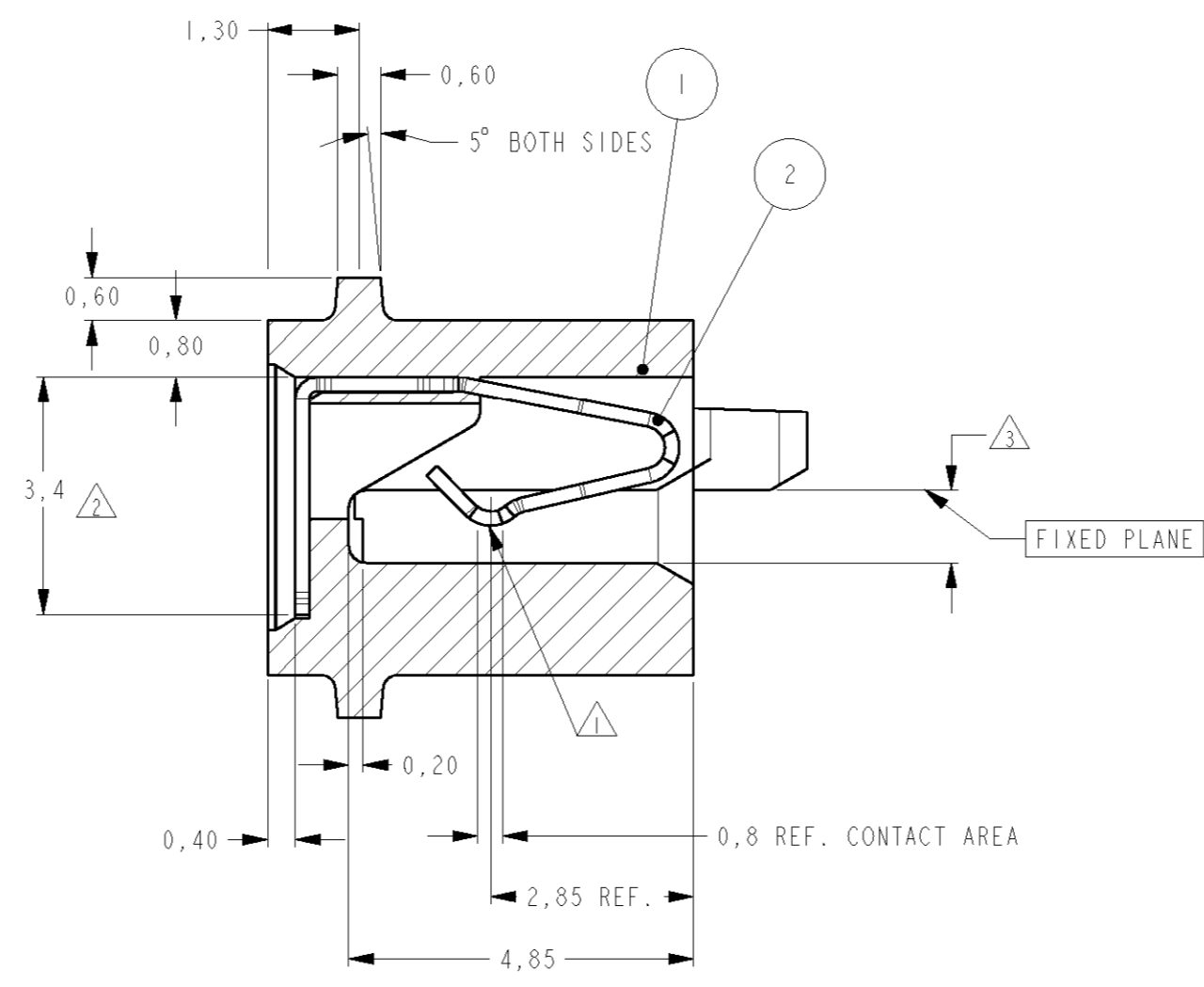
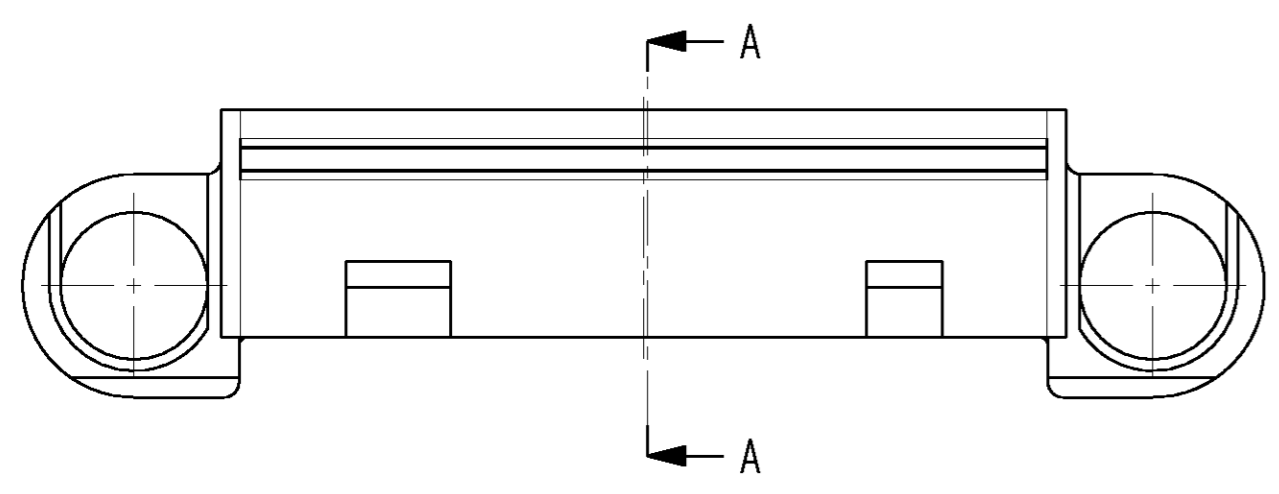
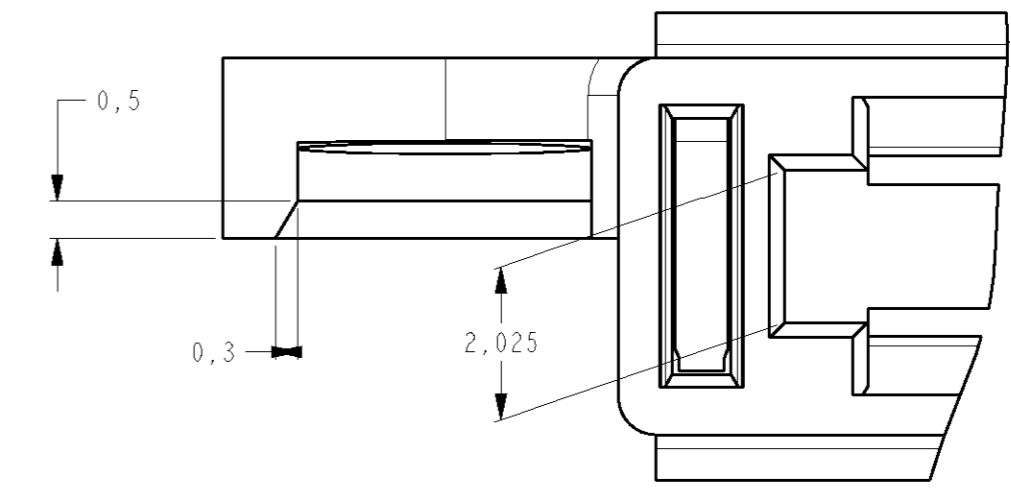
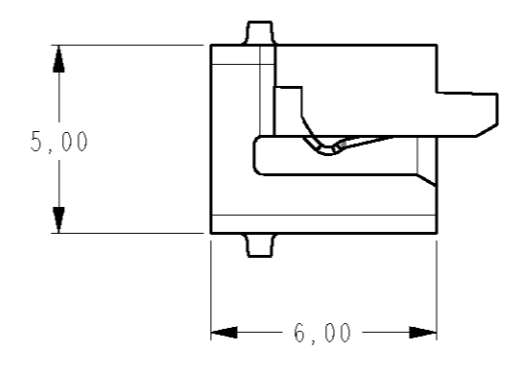
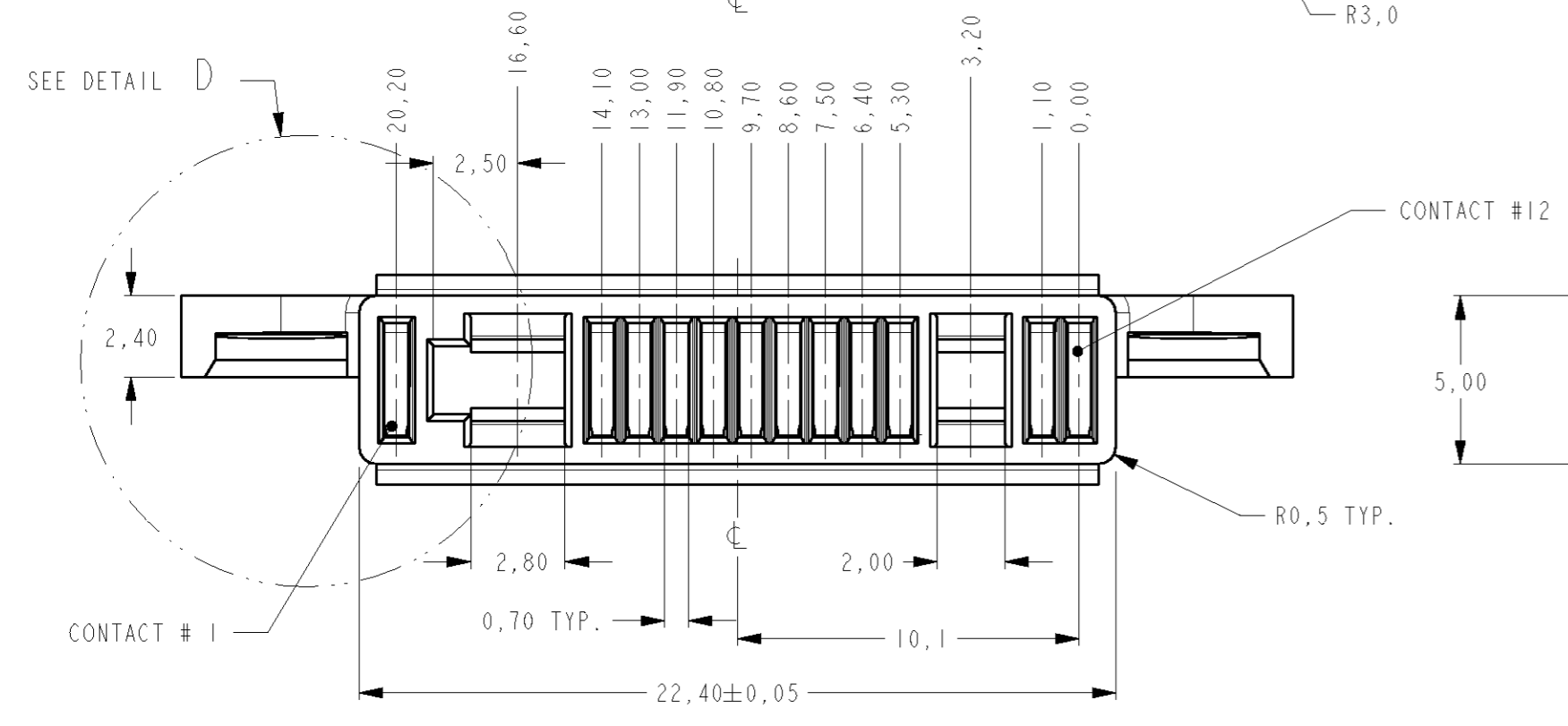
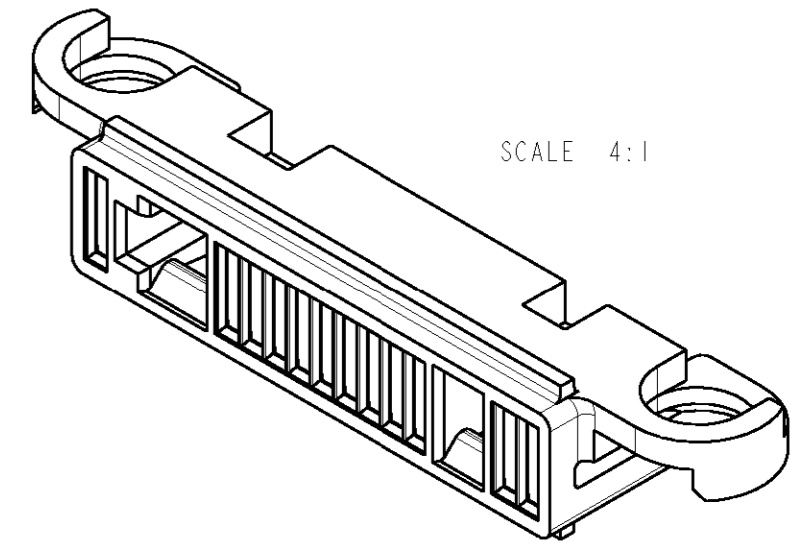
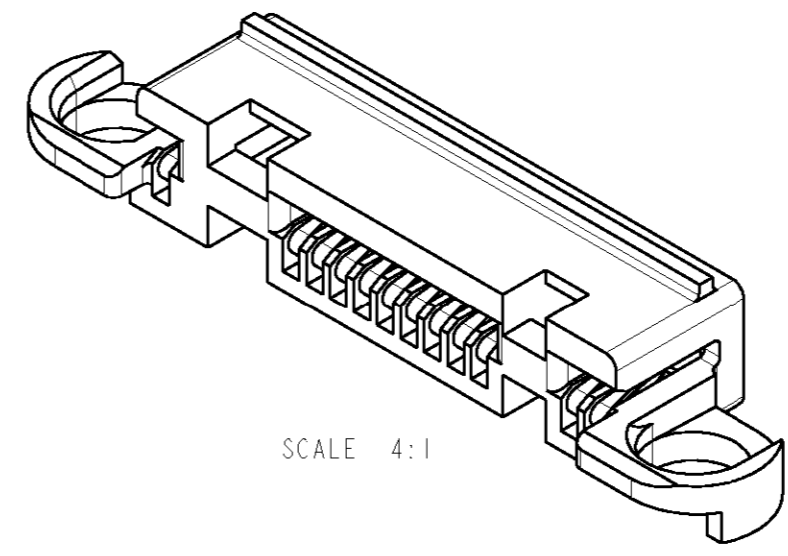
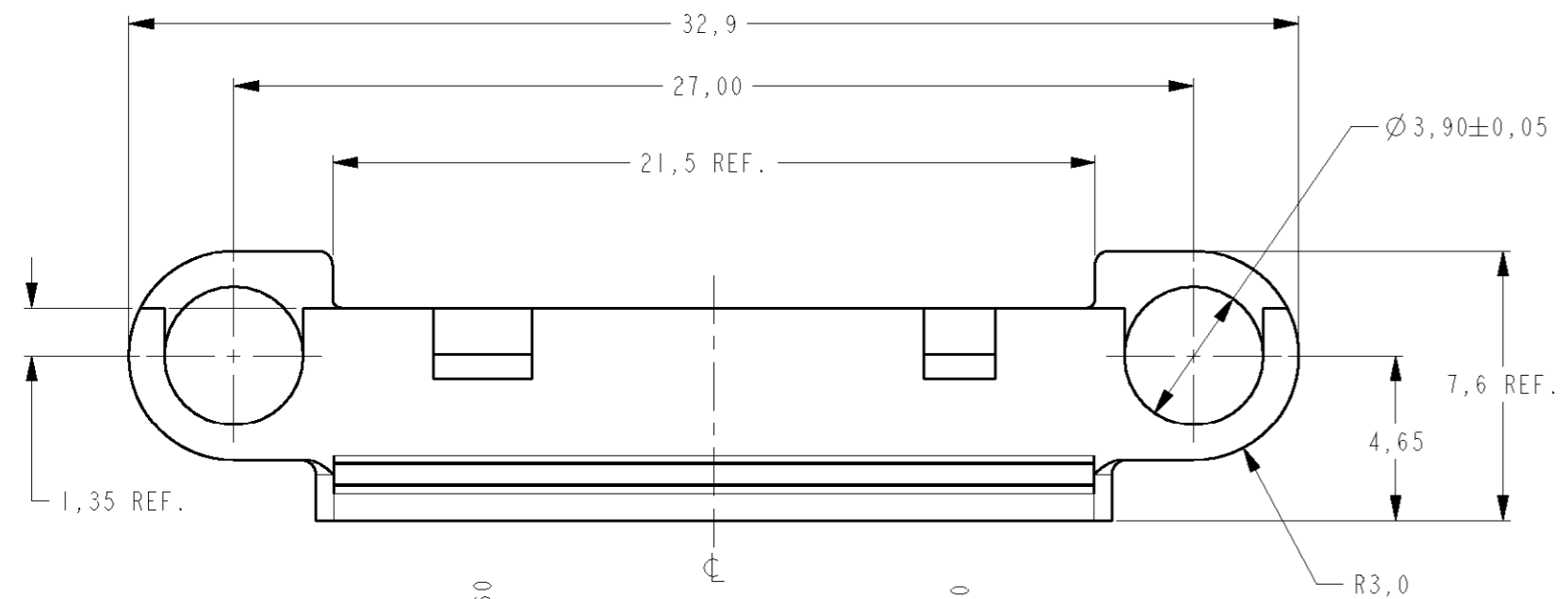


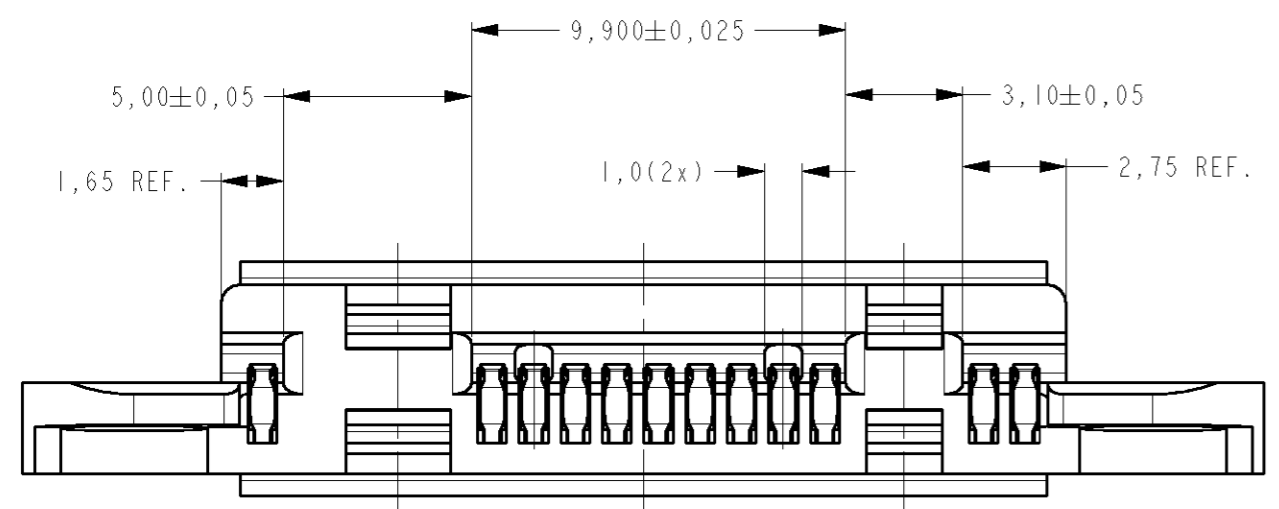
LOC	DIST	LTR	REVISION RECORD	DATE	APVD
H	-	A	EH00-1620-99	22 OCT 99	CvT
		B	EH00-0219-01	06 MRT 01	JvdH
		C	EH01-1440-03	28 NOV 03	RD



DETAIL D  
SCALE 10:1

NOTES:

- 1 0,2 µm MIN. GOLD OVER 1,3 µm MIN. NICKEL IN CONTACT AREA.
- 2 0,8 µm MIN. GOLD OVER 1,3 µm MIN. NICKEL IN CONTACT AREA.
- 3 0-338966-9 SUITABLE FOR PCB THICKNESS 0,9 +/- 0,1 mm.  
1-338966-2 SUITABLE FOR PCB THICKNESS 1,2 +/- 0,1 mm.
- 4 APPLICABLE PERFORMANCE REQUIREMENTS:  
SEE AMP PRODUCT-SPECIFICATION 108-19184
- 5 APPLICATION REQUIREMENTS:  
SEE AMP APPLICATION-SPECIFICATION 114-19060.
- 6 PRODUCTS ARE PACKAGED AS FOLLOWS:  
250 PCS. IN A PLASTIC BAG. (BULK)  
1 PLASTIC BAG IN AN INTERNAL BOX.  
10 INTERNAL BOXES IN A SHIPPING BOX.  
(OUTSIDE DIMENSIONS: 356 X 305 X 152 mm).



SECTION A-A  
SCALE 10:1

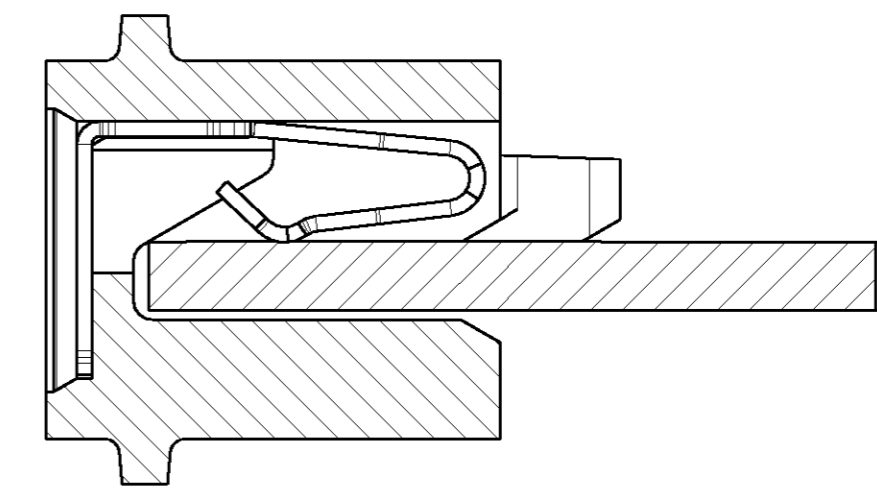
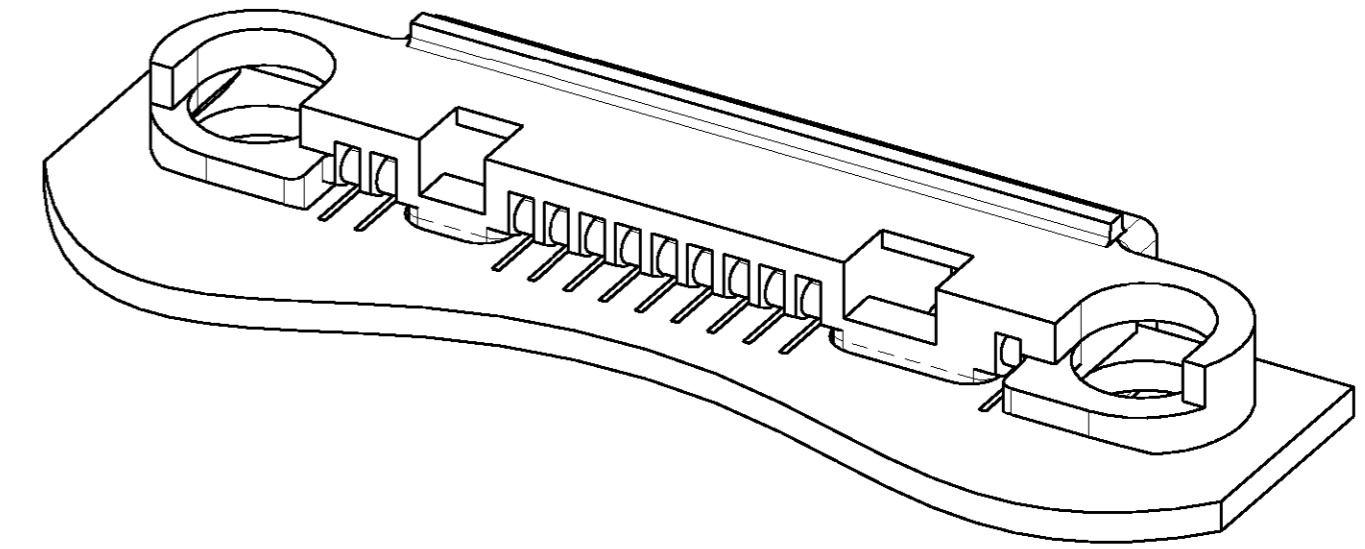
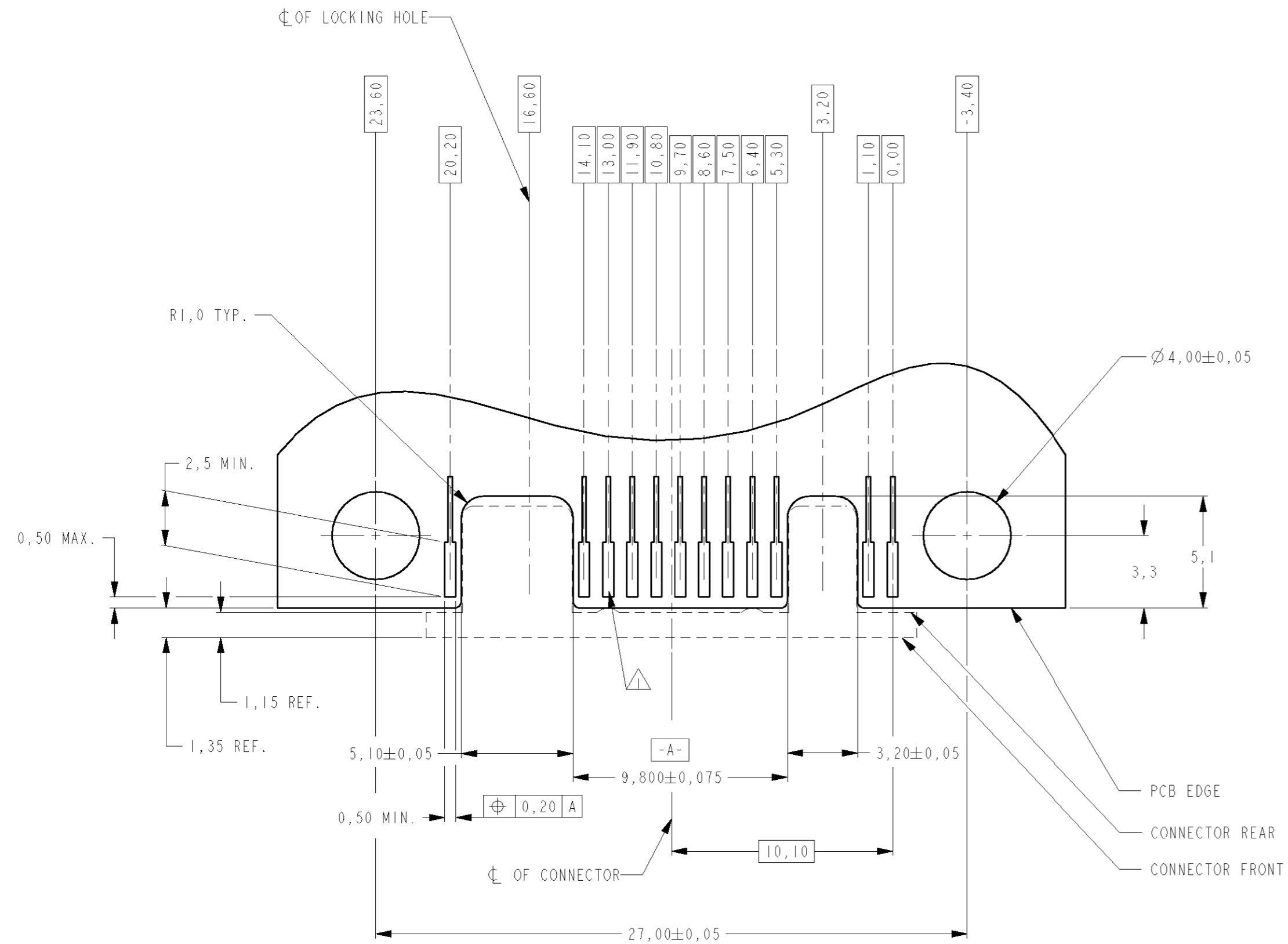
ORDER NUMBER X-338966-X 3

ITEM NO.	DESCRIPTION	MATERIAL	FINISH
2	IN-PHONE CONTACT	COPPER ALLOY	GOLD PLATED
1	SYSTEM CONN. HOUSING	LCP, 30% GF, UL 94 V-0	BLACK

DIMENSIONS:	TOLERANCES UNLESS OTHERWISE SPECIFIED:
mm	
0 PLC	± 0,2
1 PLC	± 0,15
2 PLC	± 0,10
3 PLC	± -
4 PLC	± -
ANGLES	± 1°
MATERIAL	FINISH

DWN J.V.D.HEIJDEN, 10 APR 99		NAME	
CHK CvTILBURG, 10 APR 99		NAME	
APVD		NAME	
PRODUCT SPEC		I/O CONNECTOR 12 POSITION WITH KEYING.	
APPLICATION SPEC		SIZE	RESTR TO
WEIGHT		A2	-
MATERIAL		CAGE CODE	REV
FINISH		00779	C
CUSTOMER DRAWING		DRAWING NO	
		C-338966	
		SCALE	SHEET
		5:1	1 OF 2

LOC	DIST	LTR	REVISION RECORD	DATE	APVD
H	-	-	SEE SHEET 1	-	-
-	-	-	-	-	-
-	-	-	-	-	-



NOTES:

- △ PLATING OF CONTACT AREA:  
MIN. 0,2µm GOLD OVER MIN. 1,3 µm NICKEL.
- 2 NO SOLDERMASK PERMITTED IN MOUNTING AREA OF CONNECTOR. (BOTH SIDES OF THE BOARD)

RECOMMENDED PCB-LAYOUT  
FOR I/O CONNECTOR

DIMENSIONS: mm		TOLERANCES UNLESS OTHERWISE SPECIFIED:		DWN		AMP TYCO ELECTRONICS NEDERLAND B.V. 's-HERTOGENBOSCH, THE NETHERLANDS			
	0 PLC	± 0,2	FINISH	J.V.D.HEIJDEN, 10 MRT 99	NAME				
	1 PLC	± 0,15		CHK C.V.TILBURG.	I/O CONNECTOR				
	2 PLC	± 0,10		APVD	12 POSITION WITH KEYING				
	3 PLC	± -		PRODUCT SPEC	SIZE	CAGE CODE	DRAWING NO	RESTR TO	
4 PLC	± -	APPLICATION SPEC	A2	00779	C-338966	-			
ANGLES	± 1°	WEIGHT	CUSTOMER DRAWING				SCALE	SHEET	REV
MATERIAL	-	-	5:1				2 OF 2	C	