

3VR1

SAFETY ORGANIZATION(S) :

THIS FILTER HAS BEEN FORMALLY RECOGNIZED, CERTIFIED OR APPROVED BY THE LISTED AGENCY. THEREFORE, ALL TEST/REQUIREMENTS SPECIFIED IN THE LATEST REVISION OF THE FOLLOWING AGENCY STANDARDS HAVE BEEN MET,

UL RECOGNIZED
CSA CERTIFIED
VDE APPROVED

UL 1283
CSA 22.2, NO.0,0.4,8
VDE 565-3

OPERATING SPECIFICATIONS:

LINE VOLTAGE/CURRENT: 3 AMP, 120/250 VAC
3 AMP./40°C, 250 VAC
LINE FREQUENCY: 50-60Hz

MAX. LEAKAGE CURRENT, EACH: .5 mA AT 120V 60HzD
LINE TO GROUND, .83 mA at 250V 50Hz

OPERATING AMBIENT TEMP. RANGE: -10°C TO +40°C @ RATED CURRENT, I_r

IN AN AMBIENT, T_a , HIGHER THAN 40°C, THE MAXIMUM OPERATING CURRENT, I_o , IS AS FOLLOWS:

$$I_o = I_r \sqrt{\frac{85 - T_a}{45}}$$

RELIABILITY SPECIFICATIONS:

STORAGE TEMPERATURE: -40°C TO +85°C
HUMIDITY: 21 DAYS @ 40°C 95% RH
CURRENT OVERLOAD TEST: 6 TIMES RATED CURRENT FOR 8 SECONDS

TEST SPECIFICATIONS:

INDUCTANCE: 3.52 mH NOMINAL
CAPACITANCE: (MEASURED @ 1 KHz, 0.25VAC MAX., 25°C±1°C)
LINE TO GROUND: .011 µF ±20%
LINE TO LINE: .303 µF ±20%
DISCHARGE RESISTOR: 680KΩ

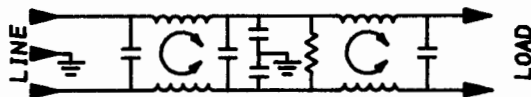
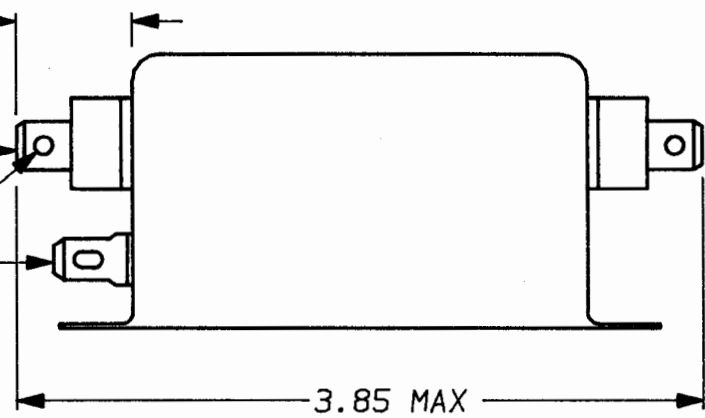
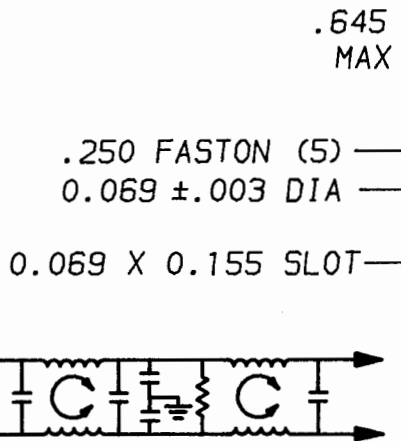
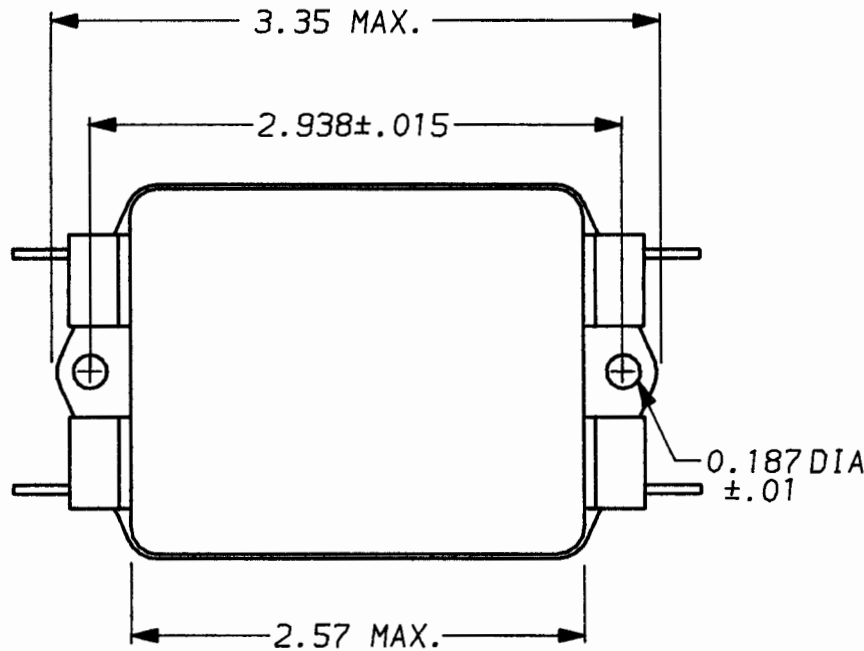
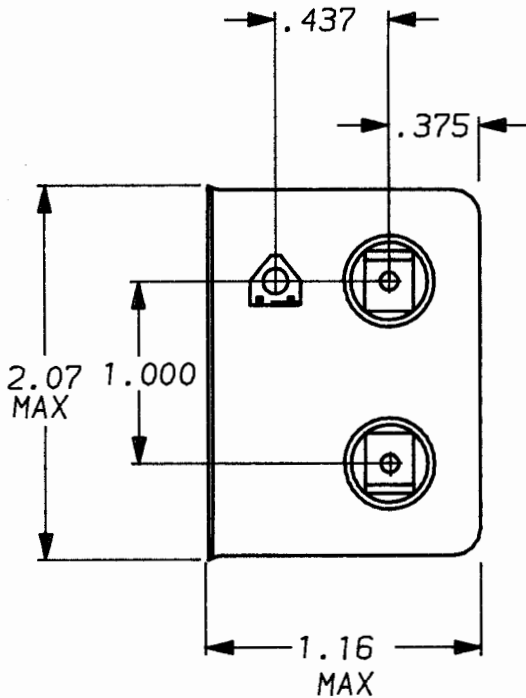
LINE/GROUND AND LINE/LINE: 6000Ω (MIN) AT 100VDC
INSULATION RESISTANCE: 20°C AND 50% RH

RECOMMENDED RECEIVING INSPECTION HIPOT:

LINES TO GROUND: 2250 VDC FOR 1 MINUTE
LINE TO LINE: 1450 VDC FOR 1 MINUTE

FILTER APPROVAL:

THE BEST WAY TO SELECT AND QUALIFY A FILTER IS FOR YOUR ENGINEERING TO TEST THE UNIT IN YOUR EQUIPMENT.



50n - 50n (MINIMUM) INSERTION LOSS											
FREQUENCY MHz	.15	.3	.5	1	2	5	10	20	30	/	/
COMMON dB	40	54	65	65	65	65	65	65	65	/	/
DIFF. dB	2	8	55	65	65	65	65	65	65	/	/

UNLESS OTHERWISE SPECIFIED, TOLERANCE TO BE ±.025
MATERIAL & FINISH: AS SUPPLIED
This document is proprietary to CORCOM INC. and is not to be reproduced nor used for manufacturing purposes except on CORCOM'S prior written consent.

corcom
LIBERTYVILLE, IL 60048
POWER LINE FILTER
DATE: 9-16-93 CATALOG NO.
APPRVD: TA M 3VR1
CAD NO. 3VR1.07