

Specification

Quad Small Form-factor Pluggable

Optical Transceiver Module

100GBASE-SR4



Ordering Information

T Q S - Q 7 4 H 9 - J C A

Model Name	Voltage	Category	Device type	Interface	Temperature	Distance
TQS-Q74H9-JCA	3.3V	With DDMI	850 nm VCSEL	CML/CML	-10°C~+85°C	100m (OM4)

Description

Formerica OptoElectronics Inc. 100G-SR4 optical transceiver module (100G-SR4 TRx) with Quad Small Form-Factor Pluggable 28 (QSFP28) form-factor is of high performance in bi-directional signal transmission and aggregate 100Gbps bandwidth, which design to support Ethernet 100G-SR4/CAUI-4 and HPC of InfiniBand EDR standard. Compared with the conventional copper-based direct attach cables (DACs), the optical fiber with pluggable MPO connector enables the ease of complicated data center cabling deployment by the longer, lighter, and bendable characteristics. The optical transceiver module utilizes high-performance 850-nm GaAs VCSELs and PIN PDs with superior integration in signal integrity and optical sub-assembly, whose bit-error-rate is better than 10⁻¹⁵ for reliable packet communication within data center.

Features

- Compliant with 100G Ethernet IEEE 802.3bm 100GBASE-SR4 standards
- Compliant to SFF-8665 (QSFP28 Solution) Revision 1.8
- Supports 100 Gbps data rate links of 70m/100m via OM3/OM4, respectively
- Low power consumption of max 2.5W (Typ. 1.8W)
- Hot pluggable electrical interface
- Using standard 12/8 lane optical fiber with MPO pluggable optical connector
- -10 to 85°C case temperature operating range
- RoHS-6 Compliant (lead-free)

Applications

- 100GBASE-SR4 Ethernet links.
- Infiniband EDR, FDR and QDR.
- HPC Interconnects.
- Proprietary Interconnections.

Absolute Maximum Rating

Not necessarily applied together. Exceeding these values may cause permanent damage. Functional operation under these conditions is not implied.

Parameter	Symbol	Min	Typ.	Max	Unit	Note
Storage Temperature	Ts	-40		85	°C	
3.3V Power Supply Voltage	Vcc	-0.5		3.6	V	
Data Input Voltage-Single Ended		-0.5		V _{cc} +0.5	V	1
Control Input Voltage		-0.5		3.6	V	
Relative Humidity	RH	5		85	%	
Rx Optical Damage Threshold / Lane		3.4			dBm	

Notes:

1. Non-condensing.

Recommended Operating Conditions

Parameter	Min	Typical	Max	Unit	Note
Case Operating Temperature	-10		85	°C	
Power Supply Voltage	3.135	3.3	3.465	V	
Data Rate per Channel		25.78125		Gbps	
Bit Error Ratio	10 ⁻¹⁵	10 ⁻¹²			
Control Input Voltage High	2		V _{cc} +0.3	V	
Control Input Voltage Low	-0.3		0.8	V	
Two Wire Serial (TWS) Interface Clock Rate		100	400	kHz	
Differential Data Input / Output Load		100		Ohms	
Fiber Length: 2000 MHz.km 50/12um MMF (OM3)	0.5		70	M	
Fiber Length: 4700 MHz.km 50/12um MMF (OM4)	0.5		100	M	

Electrical Characteristics

Parameter	Min	Typical	Max	Unit	Note
Transceiver Electrical Characteristics					
TRx Power Consumption		1.8	2.5	W	
TRx Power-on Initialization Time			2000	ms	
CAUI-4 Module Electrical Input Characteristics (TP1)					
Signaling Rate per Lane		25.78125		Gbps	1
Differential pk-pk input voltage tolerance			900	mV	
Differential Input Return Loss	See Eq.1				2
Differential to Common-mode Input Return Loss	See Eq.2				3
Differential termination mismatch			10	%	
Module stressed input test	See Eq.3				4
Single Ended Input Voltage Tolerance	-0.4		3.3	V	
DC common mode voltage	-350		2850	mV	

Notes:

1. Signaling rate tolerance is within +/- 100ppm.

$$2. RLd(f) \geq \begin{cases} 9.5 - 0.37f & 0.01 \leq f < 8 \\ 4.75 - 7.4 \log_{10} \left(\frac{f}{14} \right) & 8 \leq f < 19 \end{cases} \text{ (dB)} \quad \text{(Eq.1)}$$

Where

f is the frequency in GHz

RLd is the CAUI-4 Chip-to-module input differential return loss

$$3. RLdc(f) \geq \begin{cases} 22 - 20 \left(\frac{f}{25.78} \right) & 0.01 \leq f < 12.89 \\ 15 - 6 \left(\frac{f}{25.78} \right) & 12.89 \leq f < 19 \end{cases} \text{ (dB)} \quad \text{(Eq.2)}$$

where

f is the frequency in GHz

RLdc is the CAUI-4 Chip-to-module input differential to common mode input return loss

4. The module stressed input tolerance is measured using the procedure defined in 83E.3.4.1.1, IEEE802.3bm. Module stressed input parameters include.
- a. Eye width of 0.46 UI.
 - b. Applied pk-pk sinusoidal jitter is per Table 88-13 per IEEE802.3bm
 - c. Eye height of 95mV

Parameter	Min	Typical	Max	Unit	Note
CAUI-4 Module Electrical Output Characteristics (TP4)					
Signaling Rate per Lane		25.78125		Gbps	1
AC Common-Mode Output Voltage (RMS)			17.5	mV	
Differential Output Voltage			900	mV	
Eye Width	0.57			UI	
Eye Height, Differential	228			mV	
Vertical Eye Closure			5.5	dB	
Differential Output Return Loss	See Eq. 1				2
Common to Differential Mode Conversion Return Loss	See Eq. 2				3
Differential termination mismatch			10	%	
Transition Time (20% to 80%)	12			ps	
DC Common Voltage	-350		2850	mV	

Notes:

1. Signaling rate tolerance is within +/- 100ppm.
2.
$$RLd(f) \geq \begin{cases} 9.5 - 0.37f & 0.01 \leq f < 8 \\ 4.75 - 7.4 \log_{10} \left(\frac{f}{14} \right) & 8 \leq f < 19 \end{cases} \text{ (dB)} \quad \text{(Eq.1)}$$

where

f is the frequency in GHz

RLd is the CAUI-4 Chip-to-module host output differential return loss

$$3. RLdc(f) \geq \begin{cases} 22 - 20 \left(\frac{f}{25.78} \right) & 0.01 \leq f < 12.89 \\ 15 - 6 \left(\frac{f}{25.78} \right) & 12.89 \leq f < 19 \end{cases} \text{ (dB)} \quad \text{(Eq.2)}$$

where

f is the frequency in GHz

RLdc is the CAUI-4 Chip-to-module output common to differential mode conversion return loss

Optical Characteristics

Parameter	Symbol	Min	Typical	Max	Unit	Note	
Transmitter Optical Characteristics							
Center Wavelength	λ	840		860	nm		
Spectral Width – RMS	$\Delta\lambda$		0.55		nm		
Average Launch Optical Power, each lane	LOP	-8.4		2.4	dBm		
Optical Modulation Amplitude, each lane	OMA	-6.4		3	dBm		
Launch power in OMA minus TDEC		-7.3			dBm	1	
Transmitter and dispersion eye closure (TDEC), each lane	TDEC			4.3	dB	1	
Average launch power of OFF transmitter, each lane				-30	dBm		
Extinction Ratio	ER	2			dB		
Optical return loss tolerance				12	dB		
Encircled Flux		≥ 86% @ 19um, ≤ 30% at 4.5um					1
Transmitter eye mask definition		(X1, X2, X3, Y1, Y2, Y3) = (0.3, 0.38, 0.45, 0.35, 0.41, 0.5)					2

Notes:

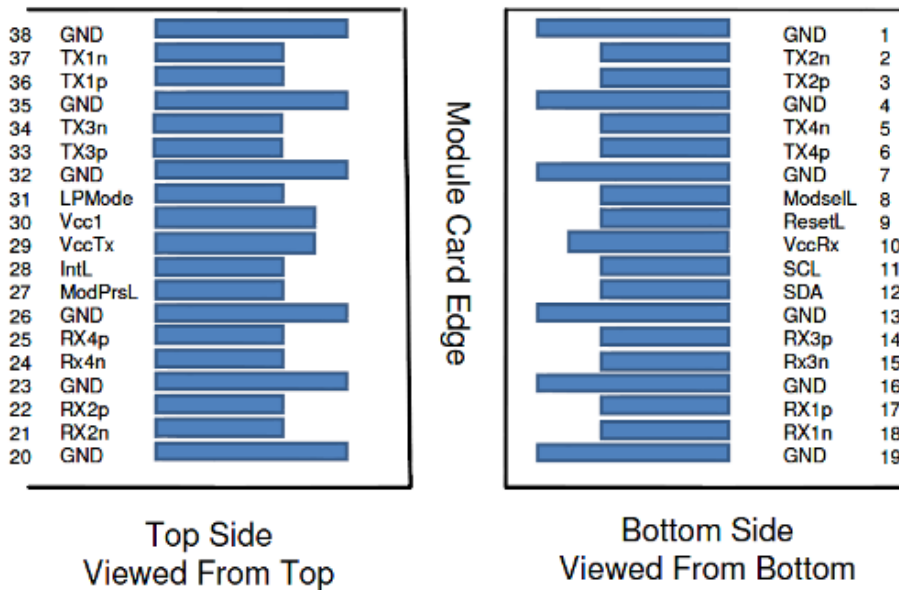
1. Designed target and belonging to TDP for further confirmation.
2. Hit ratio 1.5×10^{-3} hits per sample

Parameter	Symbol	Min	Typical	Max	Unit	Note
Receiver Optical Characteristics						
Center wavelength, each lane	λ	840		860	nm	
Damage Threshold		3.4			dBm	
Average power at receiver input, each lane		-10.3		2.4	dBm	1
Receiver Power, each lane (OMA)				3	dBm	
Receiver Reflectance				-12	dB	
Stressed receiver sensitivity in OMA				-5.2	dBm	
Conditions of stressed receiver sensitivity test:						
Stressed eye closure (SEC)			4.3		dB	2
Stressed eye J2 Jitter			0.39		UI	2
Stressed eye J4 Jitter,				0.53	UI	2
OMA of each aggressor lane				3	dBm	2
Stressed receiver eye mask definition		(X1, X2, X3, Y1, Y2, Y3)= (0.28, 0.5, 0.5, 0.33, 0.33, 0.4)				3

Notes:

1. Average receive power, each lane (min) is informative and not the principal indicator of signal strength. A received power below this value cannot be compliant; however, a value above this does not ensure compliance.
2. TDP value and dependent parameters are subject to confirmation.
3. Hit ratio 5×10^{-5} hits per sample

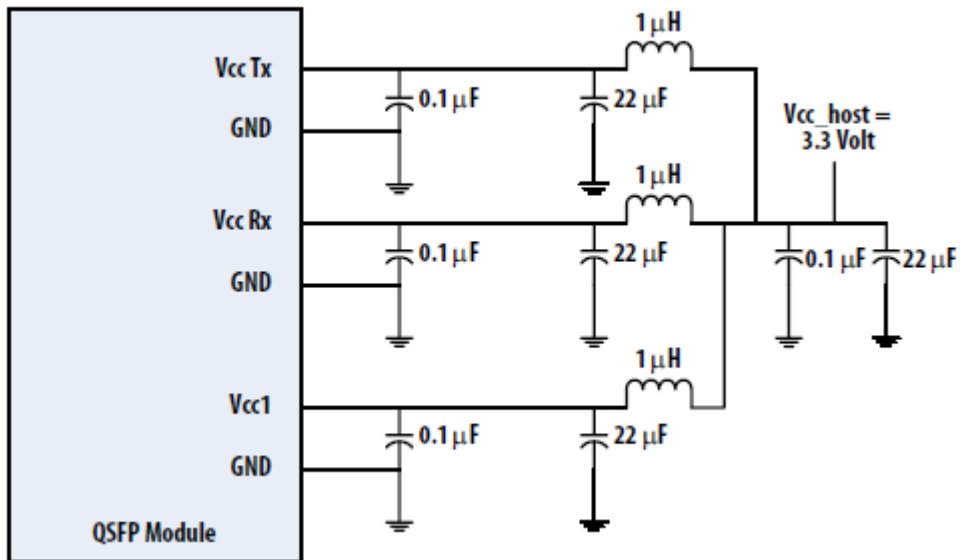
QSFP28 Module Pad Assignments and Descriptions



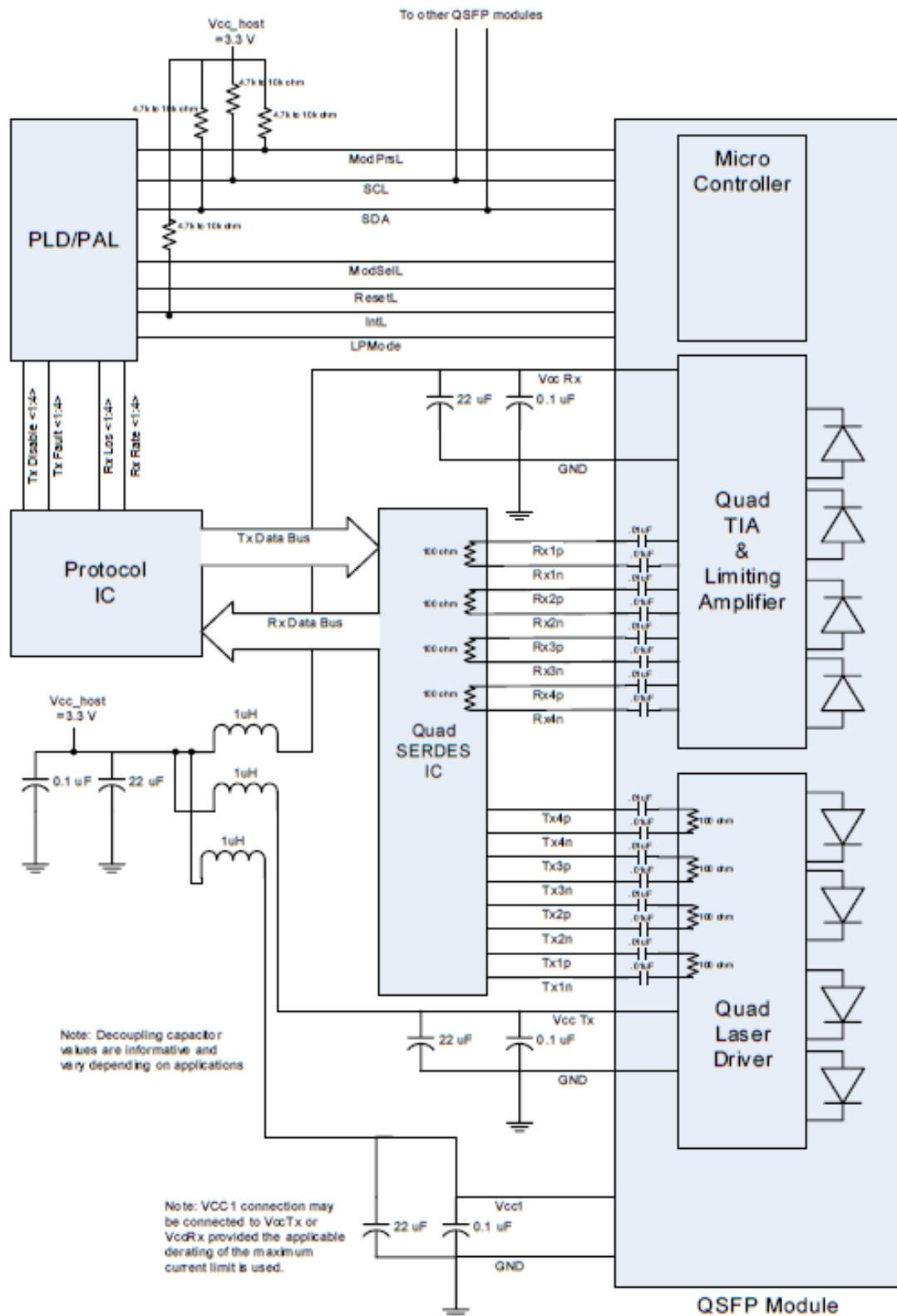
Pin	Logic	Symbol	Description	Plug Sequence	Notes
1		GND	Ground	1	
2	CML-I	Tx2n	Transmitter Inverted Data Input	3	
3	CML-I	Tx2p	Transmitter Non-Inverted Data Input	3	
4		GND	Ground	1	
5	CML-I	Tx4n	Transmitter Inverted Data Input	3	
6	CML-I	Tx4p	Transmitter Non-Inverted Data Input	3	
7		GND	Ground	1	
8	LVTTL-I	ModSelL	Module Select	3	
9	LVTTL-I	ResetL	Module Reset	3	
10		Vcc Rx	+3.3V Power Supply Receiver	2	
11	LVC MOS-I/O	SCL	2-wire serial interface clock	3	
12	LVC MOS-I/O	SDA	2-wire serial interface data	3	
13		GND	Ground	1	
14	CML-O	Rx3p	Receiver Non-Inverted Data Output	3	
15	CML-O	Rx3n	Receiver Inverted Data Output	3	
16		GND	Ground	1	
17	CML-O	Rx1p	Receiver Non-Inverted Data Output	3	

Pin	Logic	Symbol	Description	Plug Sequence	Notes
18	CML-O	Rx1n	Receiver Inverted Data Output	3	
19		GND	Ground	1	
20		GND	Ground	1	
21	CML-O	Rx2n	Receiver Inverted Data Output	3	
22	CML-O	Rx2p	Receiver Non-Inverted Data Output	3	
23		GND	Ground	1	
24	CML-O	Rx4n	Receiver Inverted Data Output	3	
25	CML-O	Rx4p	Receiver Non-Inverted Data Output	3	
26		GND	Ground	1	
27	LVTTL-O	ModPrsL	Module Present	3	
28	LVTTL-O	IntL	Interrupt	3	
29		Vcc Tx	+3.3V Power supply transmitter	2	
30		Vcc1	+3.3V Power supply	2	
31	LVTTL-I	LPMODE	Low Power Mode	3	
32		GND	Ground	1	
33	CML-I	Tx3p	Transmitter Non-Inverted Data Input	3	
34	CML-I	Tx3n	Transmitter Inverted Data Input	3	
35		GND	Ground	1	
36	CML-I	Tx1p	Transmitter Non-Inverted Data Input	3	
37	CML-I	Tx1n	Transmitter Inverted Data Input	3	
38		GND	Ground	1	

Recommended Host Board Power Supply Circuit

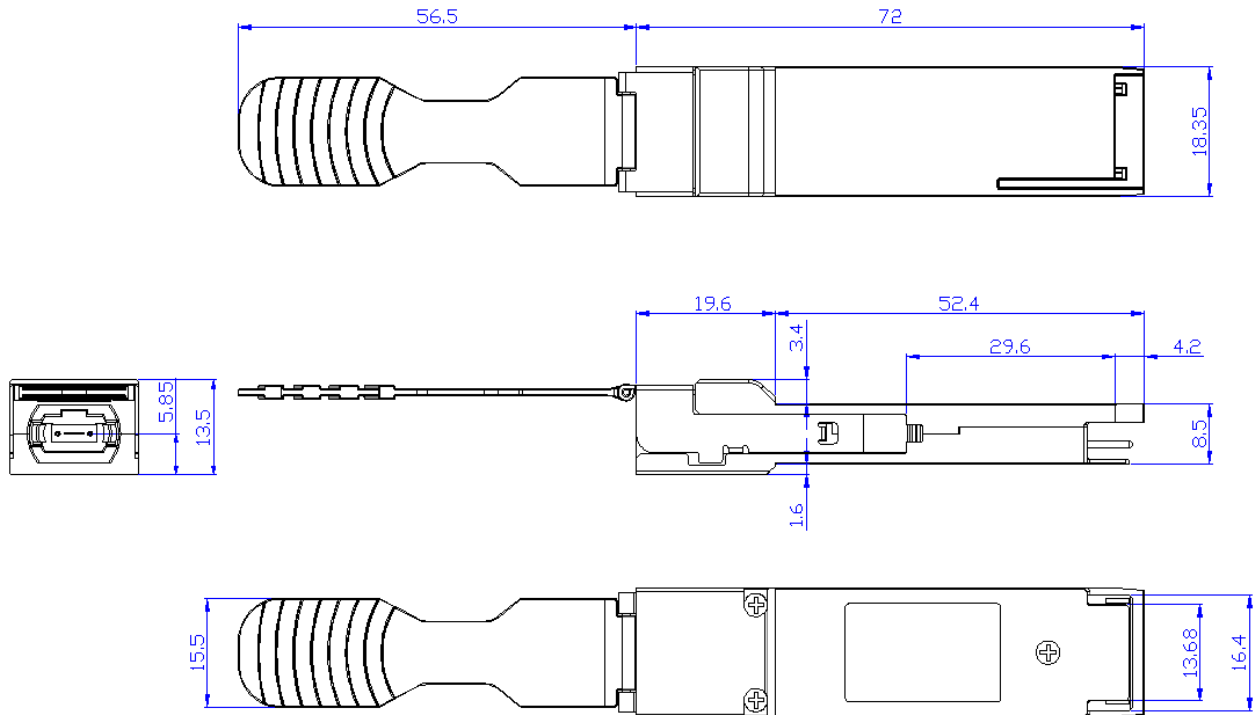


Recommended Interface Circuit



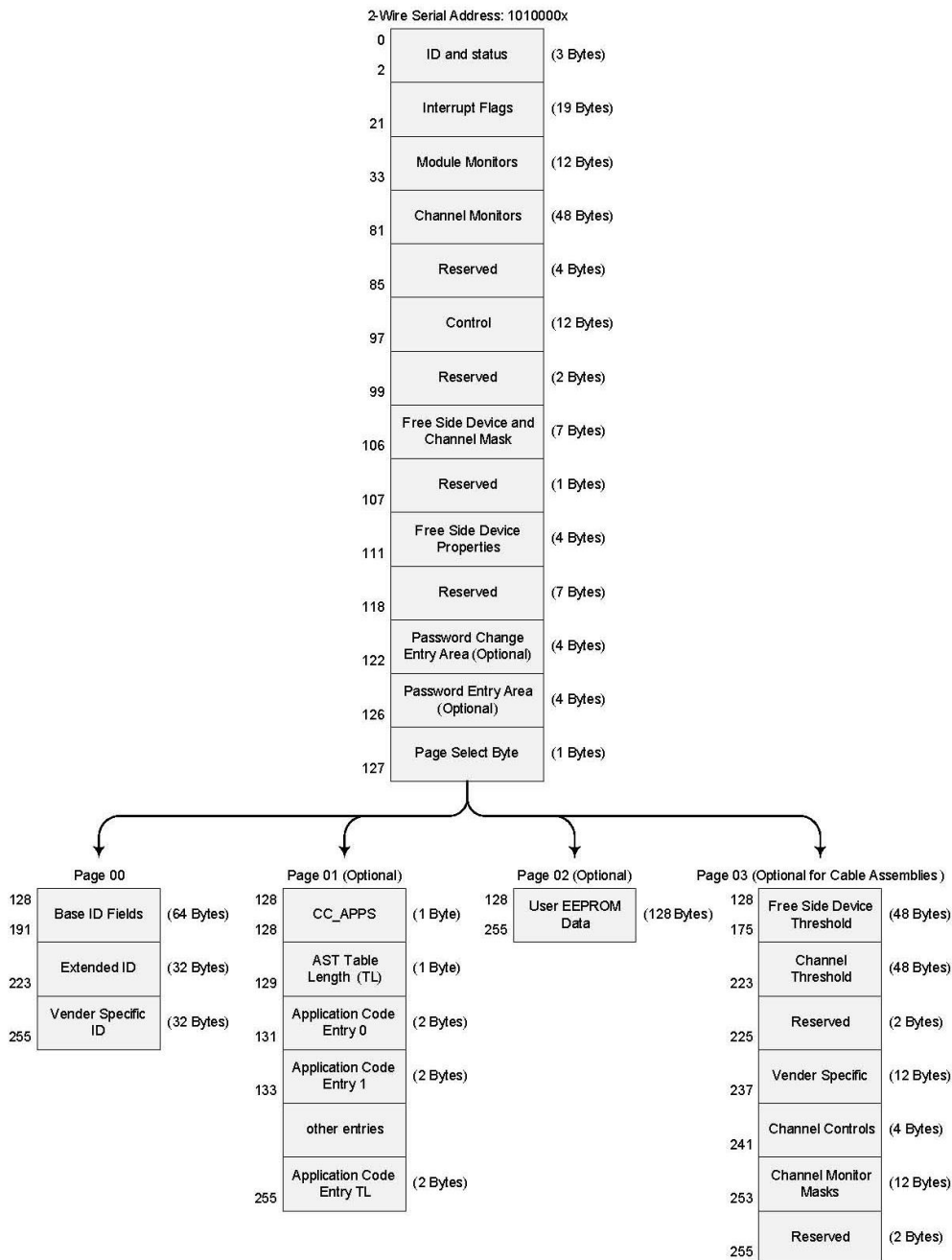
Mechanical Design Diagram

Unit: mm



Memory Map

The memory map is structured as a single address and multiple page approaches, according to the QSFP28 SFF-8636 MSA specification as shown in the below. For more detailed description of this memory map or lower pages, please see our Memory Map document with flexible customization settings.



Contention 2-Wire Address A0H Page 00

Address	Description	Hex	Real Value
128	Identifier	11	QSFP28
129	Ext. Identifier	8C	Power Class 3 Module (2.5W max); No CLEI code present in Page 02h; CDR in TX and RX
130	Connector	0C	MPO Connector
131	Specification Compliance	80	100GBASE-SR4
132		00	Not compliant
133		00	Not compliant
134		00	Not compliant
135		40	Short distance (S)
136		00	Not compliant
137		02	Multi-Mode 50um (OM3)
138		02	100GBASE-SR4
139	Encoding	05	64B66B
140	BR, nominal	FF	100Gbps
141	Extended rate select Compliance	00	Not compliant
142	Length(SMF)	00	Not compliant
143	Length(OM3 50 um)	23	70M
144	Length(OM2 50 um)	00	Not compliant
145	Length(OM1 62.5 um)	00	Not compliant
146	Length(Copper)	32	100M
147	Device tech	00	850nm VCSEL; No wavelength control; Uncooled transmitter device; Pin detector; Transmitter not tunable
148-163	Vendor name	46,4F,52,4D,45,52,49,43, 41,4F,45,20,20,20,20,20	FORMERICA OE
164	Extended Module	1F	EDR/FDR/QDR/DDR/SDR
165-167	Vendor OUI	00, 00, 00	
168-183	Vendor PN	54,51,53,2D,51,31,34,48, 39,2D,4A,43,41,20,20,20	TQS-Q14H9-JCA
184-185	Vendor rev	20, 20	
186-187	Wave length or Copper cable Attenuation	42, 68	850nm
188-189	Wavelength tolerance	07, D0	±10nm
190	Max case temp.	46	70°C
191	CC_BASE		Check sum of byte 128 ~ 190
192	Options	02	100GBASE-SR4
193		07	Tx Input Equalization Fixed Programmable; Rx Output Emphasis Fixed Programmable; Rx Output Amplitude Fixed Programmable
194		C0	Tx/Rx CDR
195		DA	Memory Page 02 Provided; Memory Page 01 Provided; Tx_Disable is Implemented Tx_Fault Signal Implemented; Tx Loss of Signal Implemented
196-211	Vendor SN	Serial Number	
212-219	Date Code	Date Code	
220	Diagnostic Monitoring Type	08	Average Power
221	Enhanced Options	00	
222	Reserved	00	
223	CC_EXT		Check sum of byte 192 ~ 222
224-255	Vendor Specific		

Contention 2-Wire Address A0H Page 03

Address	Description	Hex	Real Value
128-129	Temp high alarm	50, 00	80°C
130-131	Temp low alarm	FB, 00	-5°C
132-133	Temp high warning	4B, 00	75°C
134-135	Temp low warning	00, 00	0°C
144-145	Vcc high alarm	8C, A0	3.6V
146-147	Vcc low alarm	75, 30	3.0V
148-149	Vcc high warning	88, B8	3.5V
150-151	Vcc low warning	79, 18	3.1V
176-177	Rx power high alarm	61, A8	4.0dBm
178-179	Rx power low alarm	08, FC	-6.4dBm
180-181	Rx power high warning	55, 28	3.4dBm
182-183	Rx power low warning	0B, 40	-5.4dBm
184-185	Tx bias high alarm	30, D4	25mA
186-187	Tx bias low alarm	03, E8	2mA
188-189	Tx bias high warning	2C, EC	23mA
190-191	Tx bias low warning	07, D0	4mA

Laser Safety

This is a laser class 1M product according to IEC60825-1:2014 (Third Edition). This product complies with 21 CFR 1040.10 and 1040.11 except for deviations pursuant to Laser Notice No. 50, dated June 24, 2007.