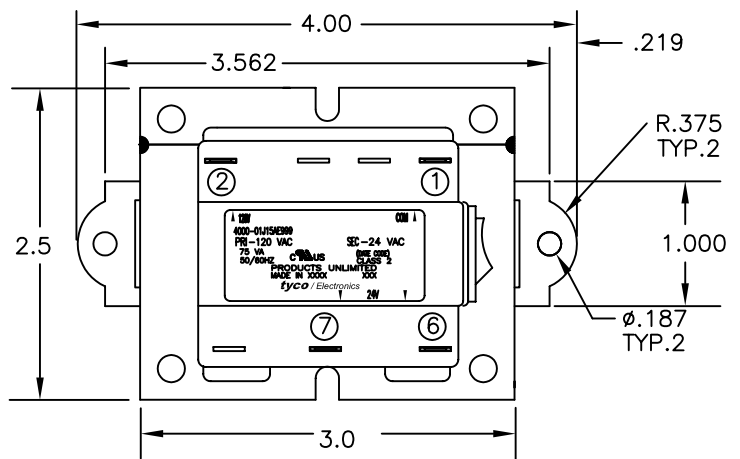


THIS DRAWING IS UNPUBLISHED. RELEASED FOR PUBLICATION
 © COPYRIGHT - BY TYCO ELECTRONICS CORPORATION. ALL RIGHTS RESERVED.

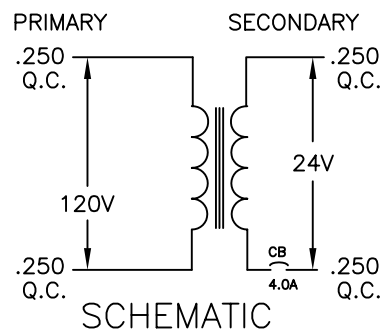
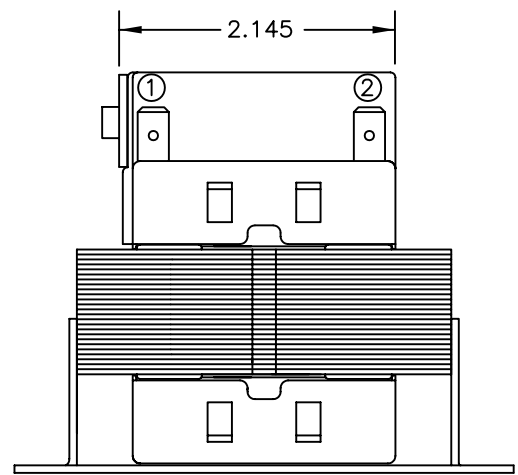
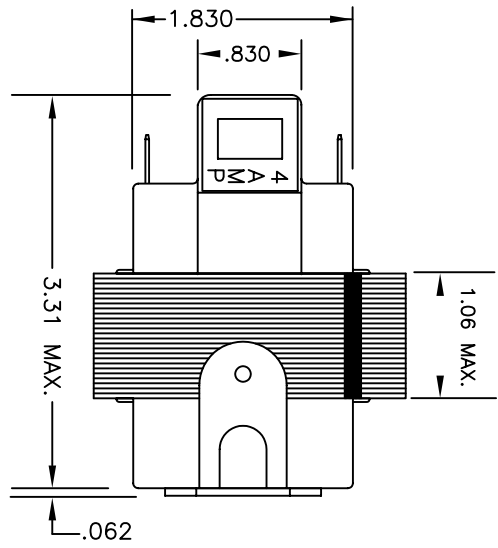
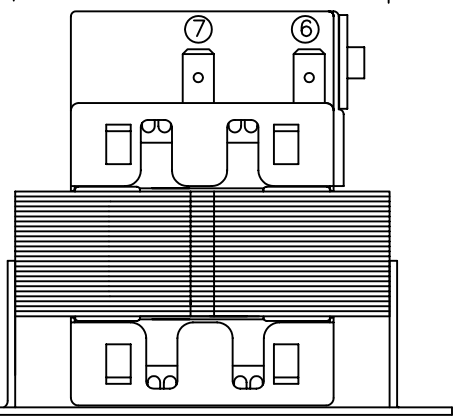
LOC	DIST	REVISIONS					
GZ	00	P	LTR	DESCRIPTION	DATE	DWN	APVD
		C		ECR-06-021562	12SEP06	KH	HT



PRIMARY					NOTES 1. DIMENSIONS FOR REFERENCE ONLY. 2. WINDING PROTECTION—4.0 AMP CIRCUIT BREAKER IN SECONDARY NON-NHERENTLY LIMITED	SECONDARY					
TERM NO.	1	2	3	4		5	TERM NO.	6	7	8	9
VOLTAGE	COM	120					VOLTAGE	24	VAC		
TERMINAL WIDTH	.250	.250					TERMINAL WIDTH	.250	.250		
TERMINAL THICKNESS	.032	.032				TERMINAL THICKNESS	.032	.032			

D
C
B
A

D
C
B
A



TYCO PART NUMBER
1611468-7

THIS DRAWING IS A CONTROLLED DOCUMENT.		DWN	K.H.	21JAN03	Tyco Electronics Corporation Harrisburg, PA 17105-3608
DIMENSIONS: INCHES		CHK	DH	21JAN03	
TOLERANCES UNLESS OTHERWISE SPECIFIED:		APVD	HT	21JAN03	
0 PLC ± - 1 PLC ± - 2 PLC ± .01 3 PLC ± .005 4 PLC ± - ANGLES ± -		PRODUCT SPEC		NAME	
MATERIAL	FINISH	WEIGHT		—	APPLICATION SPEC
CUSTOMER DRAWING		SIZE	A3	CAGE CODE	00779
		DRAWING NO	C=4000-01J15AE999		RESTRICTED TO
		SCALE	1:1	SHEET	1 OF 1
		REV	C		