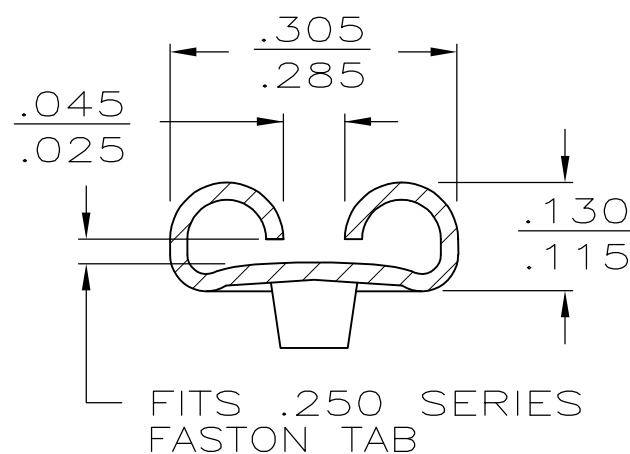
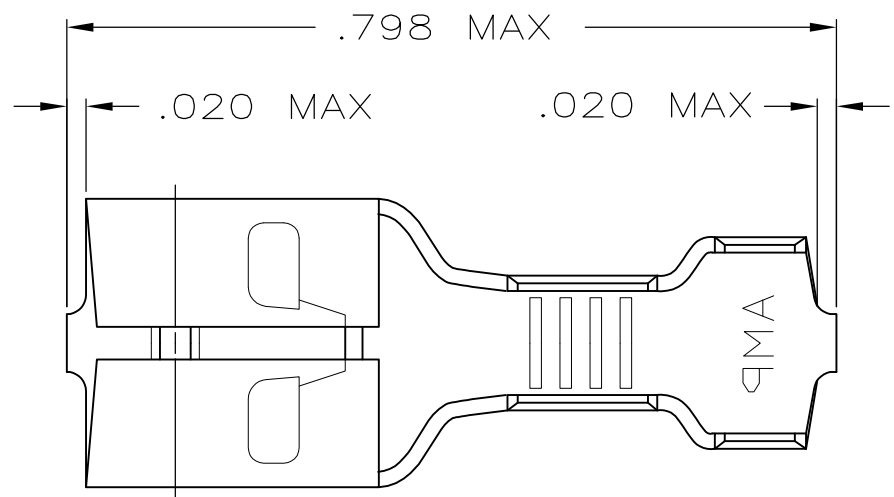


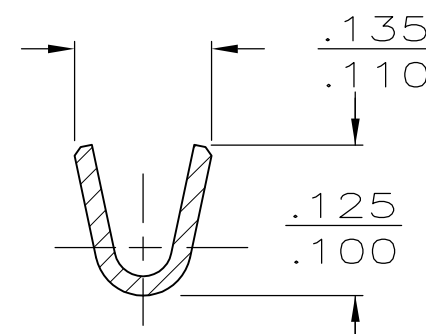
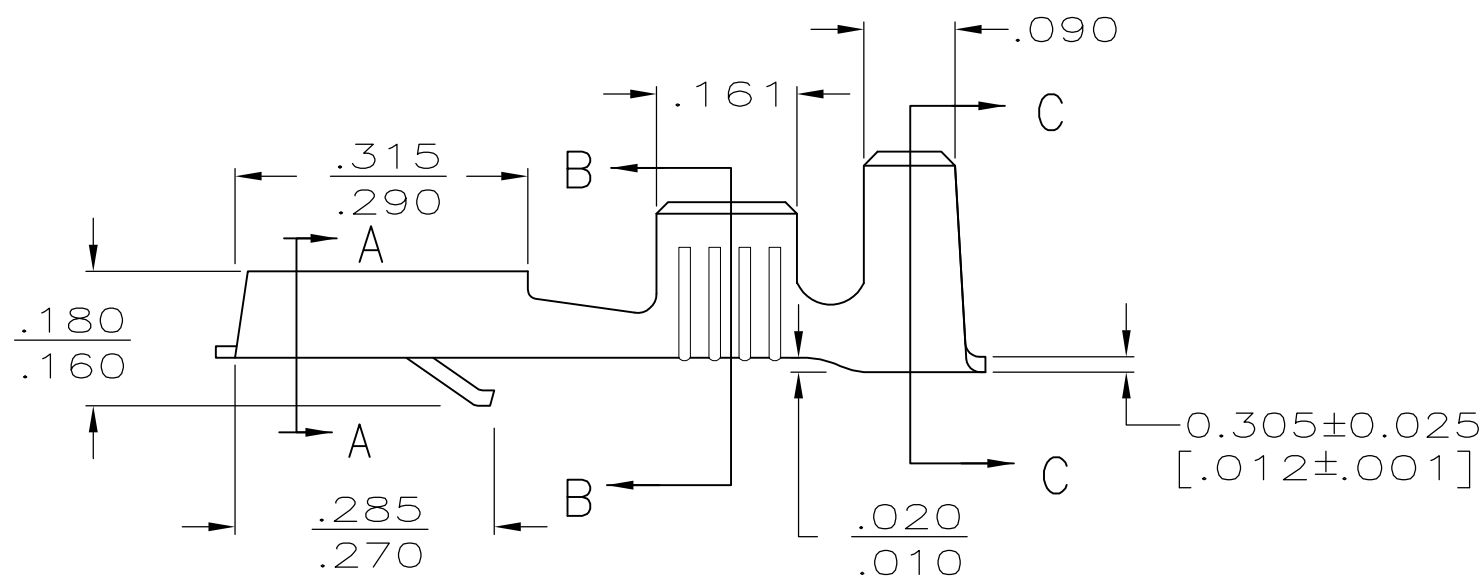
THIS DRAWING IS UNPUBLISHED. RELEASED FOR PUBLICATION
 © COPYRIGHT BY TYCO ELECTRONICS CORPORATION. ALL RIGHTS RESERVED.

| LOC | DIST | REVISIONS | | | |
|-----|------|-------------|---------------------------|---------|--------|
| P | LTR | DESCRIPTION | DATE | DWN | APVD |
| AF | 50 | B2 | REVISED PER ECR-07-029192 | 10DEC07 | HMR KR |

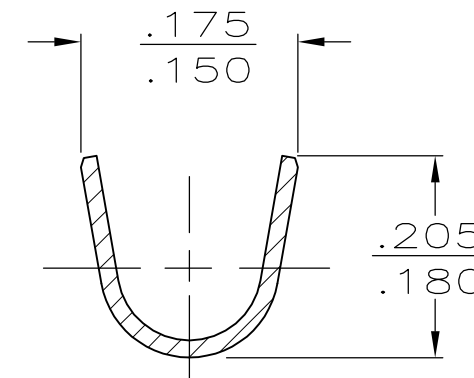
- 1 SUPPLIED IN LOOSE PIECE
- 3 WIRE SIZE IS #22-#18 AWG.
- 4 MATING TAB THK IS .032±.001
- 5 INSULATION RANGE IS .085-.125 DIA.



SECTION A-A



SECTION B-B



SECTION C-C

| | |
|-------------------------|----------|
| 60838-1 (60295-2 STRIP) | 60838-1 |
| COMBINATION NUMBER | PART NO. |

| | | | | | |
|--|---------------|-----------------------------|---|--------------------|-----------------------|
| THIS DRAWING IS A CONTROLLED DOCUMENT. | | DWN JR RUTH 1/29/98 | Tyco Electronics Corporation Harrisburg, PA 17105-3608 | | |
| DIMENSIONS: INCHES | | CHK MS FEHER 1/29/98 | | | |
| TOLERANCES UNLESS OTHERWISE SPECIFIED: | | APVD J HUZVAR 1/29/98 | PRODUCT SPEC - | | RESTRICTED TO - |
| 0 PLC ± - 1 PLC ± - 2 PLC ± - 3 PLC ± .015 4 PLC ± - ANGLES ± - | | APPLICATION SPEC - | SIZE A3 | CAGE CODE 00779 | DRAWING NO C-60838 |
| MATERIAL BRASS | FINISH TIN | WEIGHT - | CUSTOMER DRAWING | | SCALE 5:1 |
| | | | SHEET 1 OF 1 | REV B2 | |