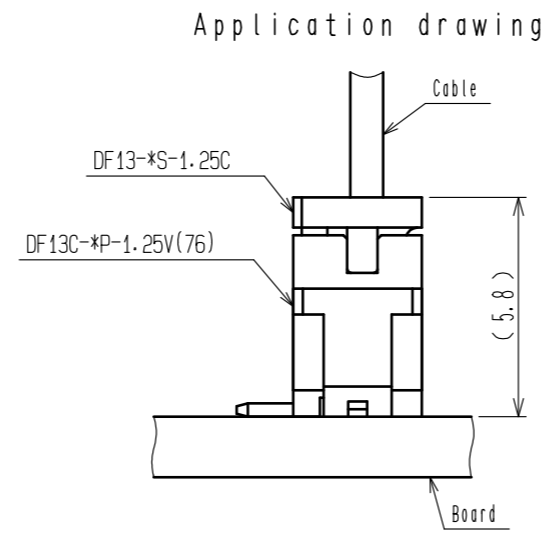
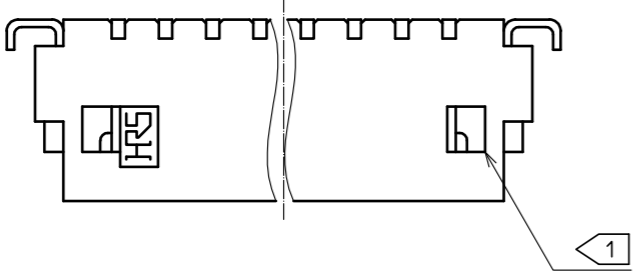
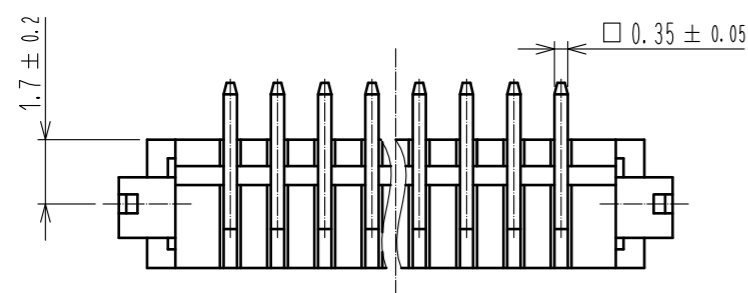
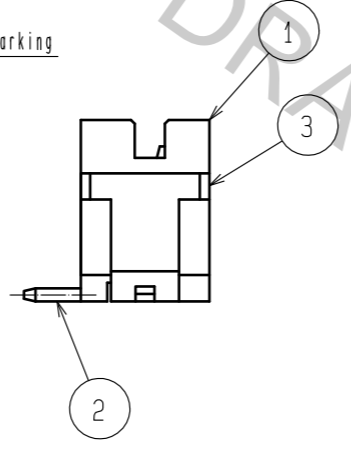
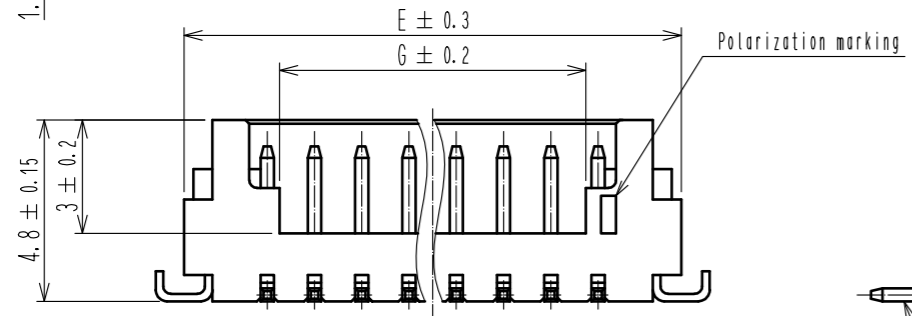
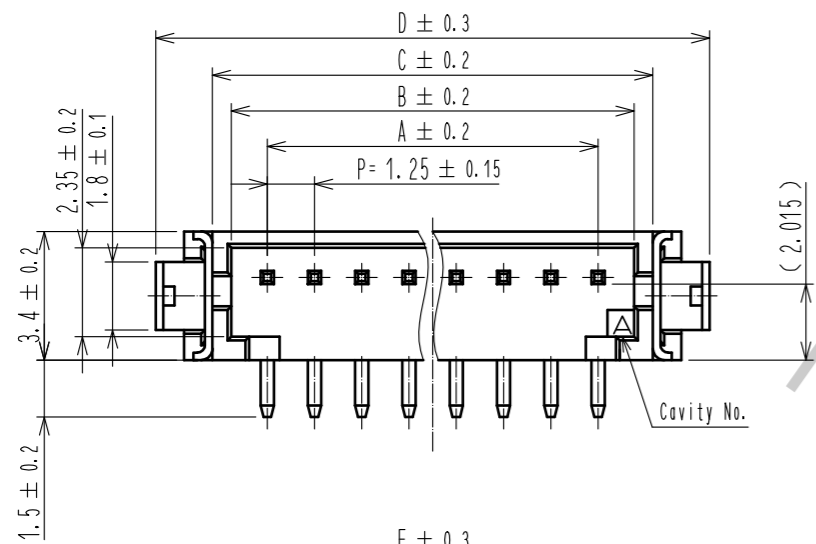
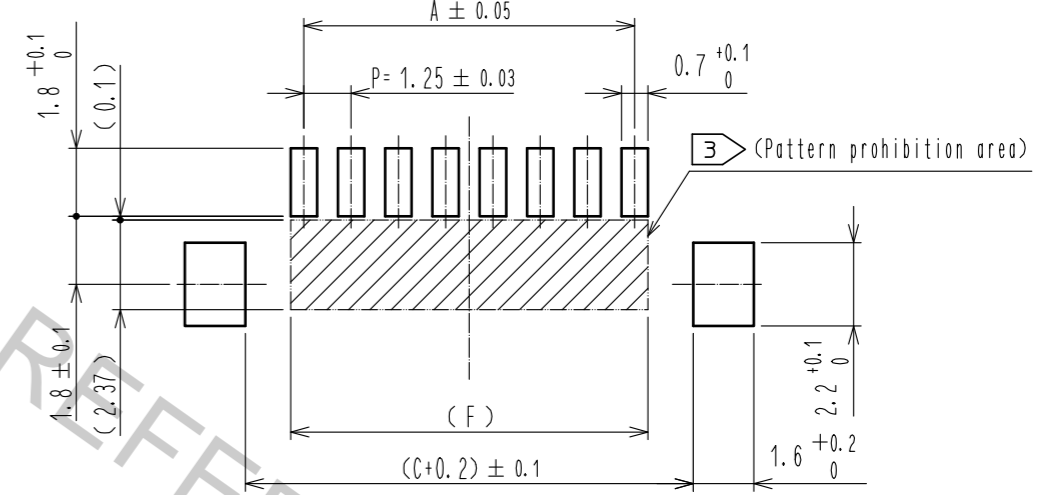


Aug.1.2018 Copyright 2018 HIROSE ELECTRIC CO., LTD. All Rights Reserved.
 In case that the application demands a high level of reliability, such as automotive,
 please contact a company representative for further information.



Code No.	Part No.	Number of contacts	A	B	C	D	E	F	G
CL536-0401-2-76	DF13C- 2P-1.25V(76)	2	1.25	3.15	4.15	7.15	5.65	1.95	2.20
CL536-0402-5-76	DF13C- 3P-1.25V(76)	3	2.50	4.40	5.40	8.40	6.90	3.20	3.45
CL536-0403-8-76	DF13C- 4P-1.25V(76)	4	3.75	5.65	6.65	9.65	8.15	4.45	3.10
CL536-0404-0-76	DF13C- 5P-1.25V(76)	5	5.00	6.90	7.90	10.90	9.40	5.70	4.35
CL536-0405-3-76	DF13C- 6P-1.25V(76)	6	6.25	8.15	9.15	12.15	10.65	6.95	5.60
CL536-0406-6-76	DF13C- 7P-1.25V(76)	7	7.50	9.40	10.40	13.40	11.90	8.20	6.85
CL536-0407-9-76	DF13C- 8P-1.25V(76)	8	8.75	10.65	11.65	14.65	13.15	9.45	8.10
-	DF13C- 9P-1.25V(76)	9	10.00	11.90	12.90	15.90	14.40	10.70	9.35
CL536-0409-4-76	DF13C-10P-1.25V(76)	10	11.25	13.15	14.15	17.15	15.65	11.95	10.60
-	DF13C-11P-1.25V(76)	11	12.50	14.40	15.40	18.40	16.90	13.20	11.85
-	DF13C-12P-1.25V(76)	12	13.75	15.65	16.65	19.65	18.15	14.45	13.10
-	DF13C-14P-1.25V(76)	14	16.25	18.15	19.15	22.15	20.65	16.95	15.60
CL536-0414-4-76	DF13C-15P-1.25V(76)	15	17.50	19.40	20.40	23.40	21.90	18.20	16.85

Recommended pattern

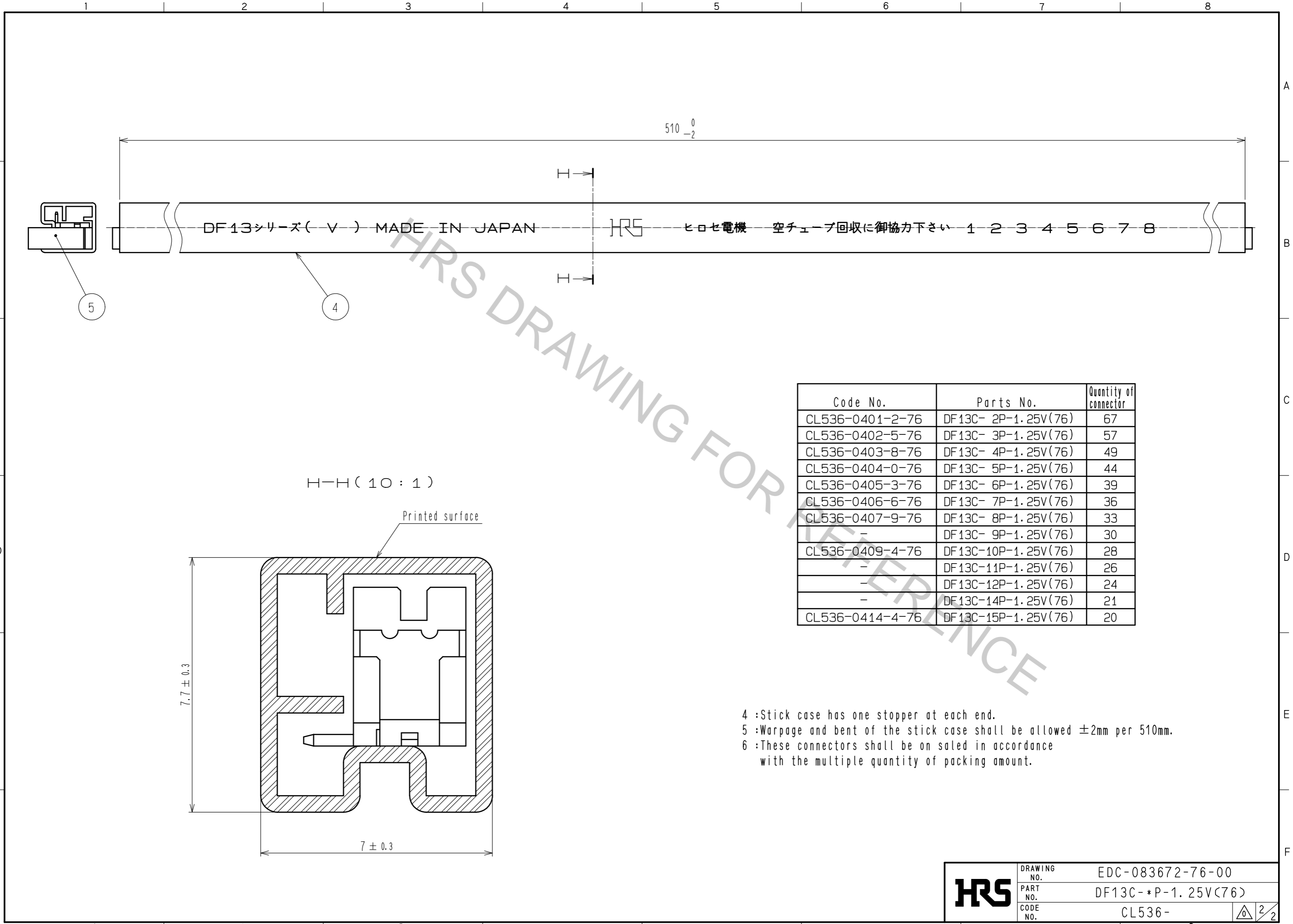


Notes 1: When this connector has two or three contacts, the lock shall be set at the center of housing. If more than four, the two locks shall be set as shown on this drawing.
 2: Lead co-planarity including reinforced metal fittings shall be within 0.1mm.
 3: If there are pattern and a via hole on part, there is a possibility that it will make contact with the leads.

2	Brass	Surface:Gold plated 0.2μm MIN Under plating:Nickel plated 0.5μm MIN	5	ELASTOMER	Gray, Stopper
1	Polyamide	UL94V-0, Beige	4	R. PVC	Anti-electrification, Clear, Stick
			3	Phosphor bronze	Surface:Tin plated 1μm MIN
NO.	MATERIAL	FINISH . REMARKS	NO.	MATERIAL	FINISH . REMARKS

UNITS	SCALE	COUNT	DESCRIPTION OF REVISIONS	DESIGNED	CHECKED	DATE
mm	5 : 1	△				
APPROVED : HS. OKAWA			18. 04. 05	DRAWING NO. EDC-083672-76-00		
CHECKED : TS. FUKUSHIMA			18. 04. 05	PART NO. DF13C-*P-1.25V(76)		
DESIGNED : TS. KUMAZAWA			18. 04. 05	CODE NO. CL536-		
DRAWN : MK. INOUE			18. 04. 05			

Aug.1.2018 Copyright 2018 HIROSE ELECTRIC CO., LTD. All Rights Reserved.
 In case that the application demands a high level of reliability, such as automotive,
 please contact a company representative for further information.



Code No.	Parts No.	Quantity of connector
CL536-0401-2-76	DF13C- 2P-1.25V(76)	67
CL536-0402-5-76	DF13C- 3P-1.25V(76)	57
CL536-0403-8-76	DF13C- 4P-1.25V(76)	49
CL536-0404-0-76	DF13C- 5P-1.25V(76)	44
CL536-0405-3-76	DF13C- 6P-1.25V(76)	39
CL536-0406-6-76	DF13C- 7P-1.25V(76)	36
CL536-0407-9-76	DF13C- 8P-1.25V(76)	33
-	DF13C- 9P-1.25V(76)	30
CL536-0409-4-76	DF13C-10P-1.25V(76)	28
-	DF13C-11P-1.25V(76)	26
-	DF13C-12P-1.25V(76)	24
-	DF13C-14P-1.25V(76)	21
CL536-0414-4-76	DF13C-15P-1.25V(76)	20

4 :Stick case has one stopper at each end.
 5 :Warpage and bent of the stick case shall be allowed $\pm 2\text{mm}$ per 510mm.
 6 :These connectors shall be on saled in accordance with the multiple quantity of packing amount.

HRS	DRAWING NO.	EDC-083672-76-00
	PART NO.	DF13C-*P-1.25V(76)
	CODE NO.	CL536-

2/2