



PRODUCT DATASHEET

Barbara series

last update 4/10/2016

DETAILS

Product Number	FCN13924_BARBARA-S-PF-VERO10
Family	Barbara
Type	RefPack
Color	metal
Diameter	70 mm
Height	41,7 mm
Style	round
Optic Material	
Holder Material	
Fastening	
Status	production ready
ROHS Compliant	Yes
Date Updated	4/10/2016



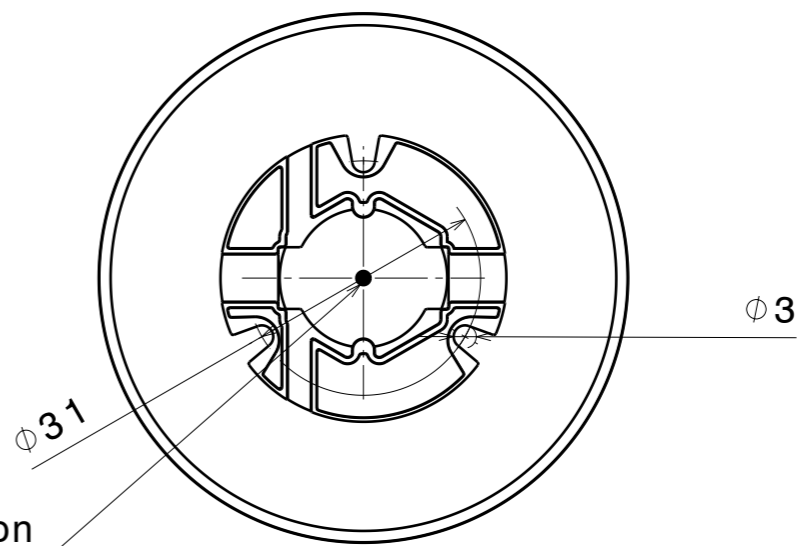
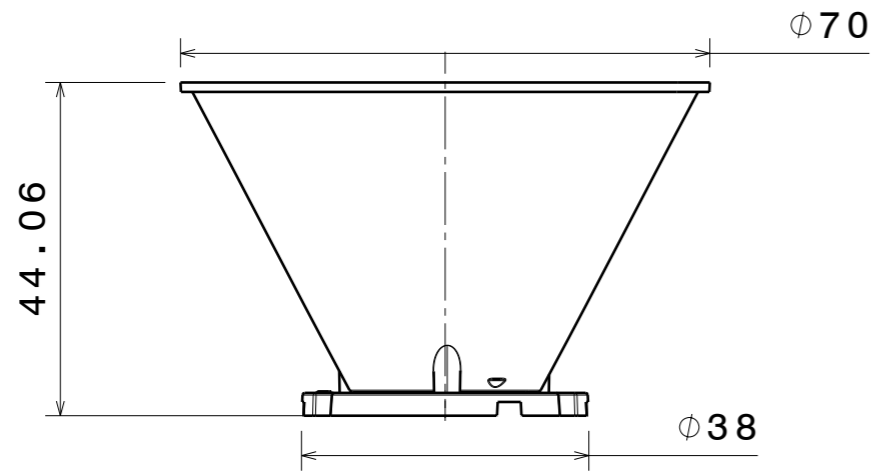
OPTICAL PROPERTIES

LED	Viewing Angle	Light Beam	Efficiency	cd/lm	Connector
VERO10	13 deg	Spot	90 %	9.300	-

H G F E D C B A

4

4

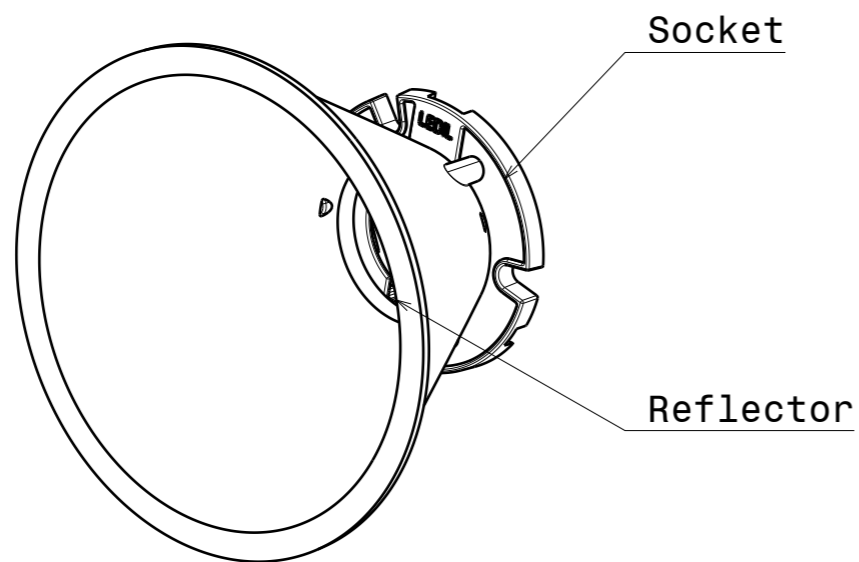


3

3

2

2



INDEX	PART NO	MATERIAL	COLOUR
1	Socket	PC	White
2	Reflector	PC	Metal

Tolerances if not otherwise shown
 According to DIN ISO 2768-1
 Linear measures: class C
 According to DIN ISO 2768-2
 Form and position: class L

LEDiL LediL Oy
 Salorankatu 10
 FIN 24240 SALO
 Finland

THIRD ANGLE PROJECTION:

DRAWING TITLE
DATA SHEET BARBARA-PF-SOCKET-VER010

This drawing is the property of LEDiL Oy. It may not be reproduced, copied or communicated without a written agreement with LEDiL Oy.

SIZE: **A3** PART NUMBER: -

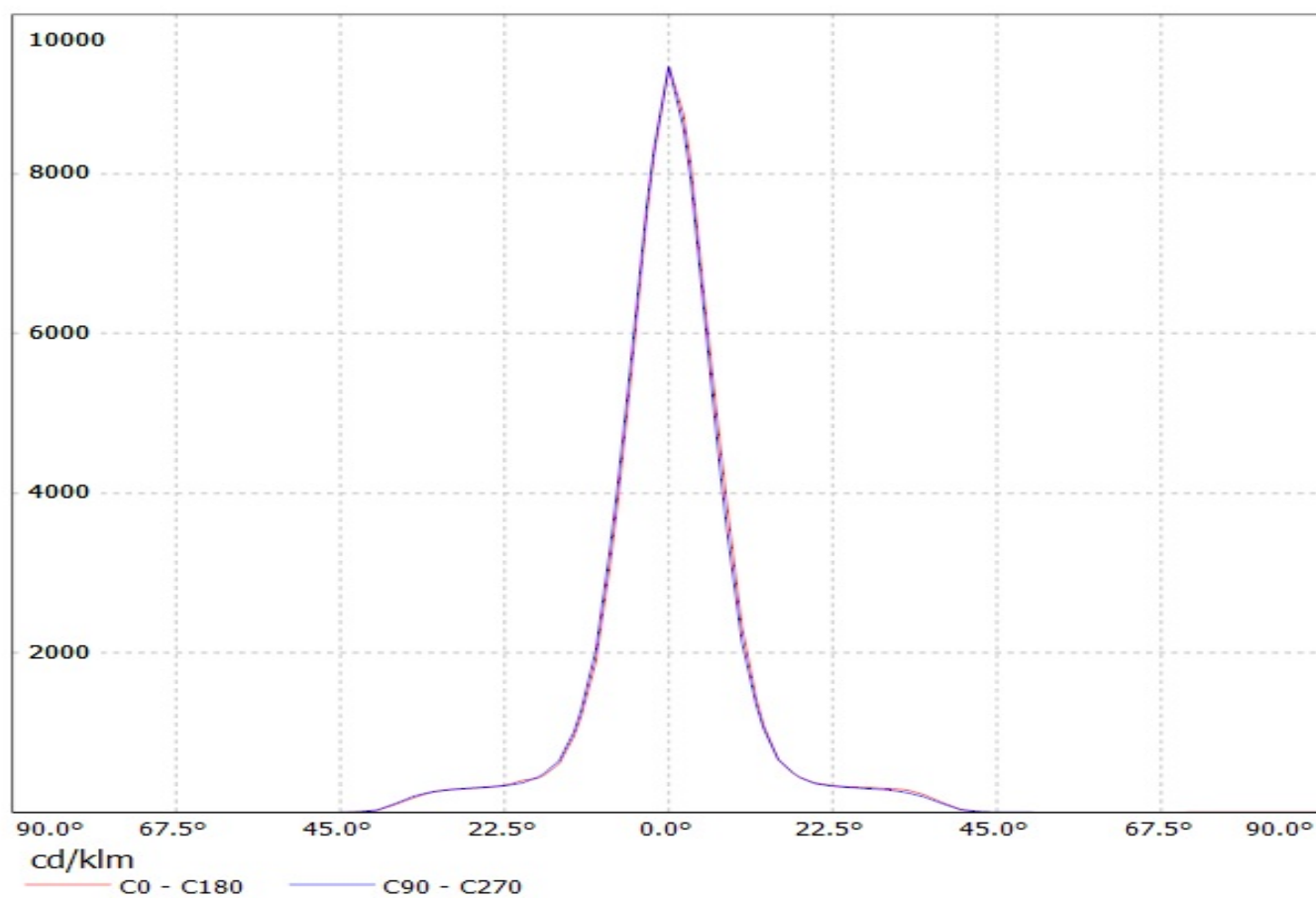
SCALE: 1:1 WEIGHT: - SHEET: 1/1

H G B A

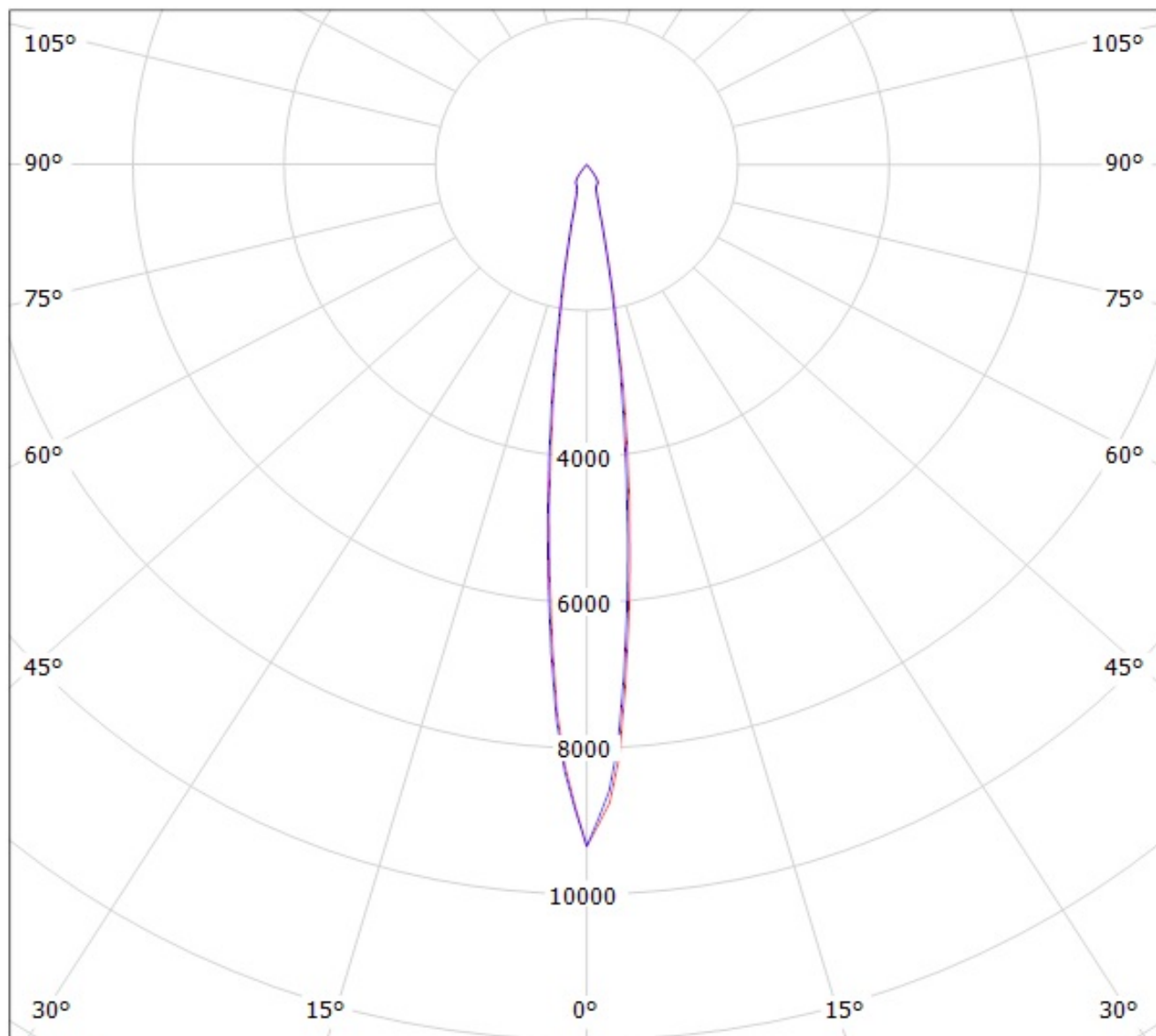
1

1

Luminaire: LEDil Oy FCN13924_BARBARA-S-PF-VERO10_(VERO10) Efficiency=90%
Lamps: 1 x VERO10 (BXRC-35E1000B) 732lm 250mA CCT=3595K P=6.4W I=250mA



Luminaire: LEDil Oy FCN13924_BARBARA-S-PF-VERO10_(VERO10) Efficiency=90%
Lamps: 1 x VERO10 (BXRC-35E1000B) 732lm 250mA CCT=3595K P=6.4W I=250mA



cd/klm

— C0 - C180

— C90 - C270

NOTE: The typical divergence will be changed by different color, chip size and chip position tolerance. The typical total divergence is the full angle measured where the luminous intensity is half of the peak value.

GENERAL INFORMATION

- Product series especially designed & optimized for series of LEDs.
- Special care taken to make light distribution as uniform as possible.

Note! Due to use of high power COB's with this product, special attention to proper thermal design is highly recommended. LEDiL has no liability for direct, indirect or consecutive damages arising from the LEDiL products being used outside of the recommended temperature range.