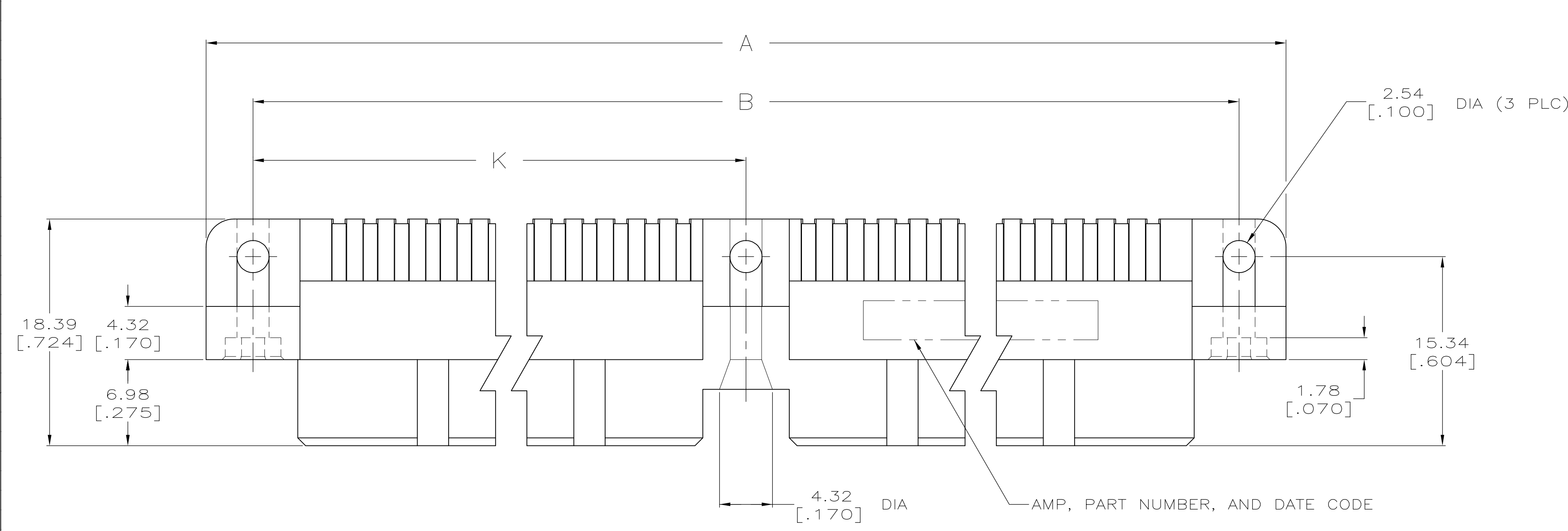
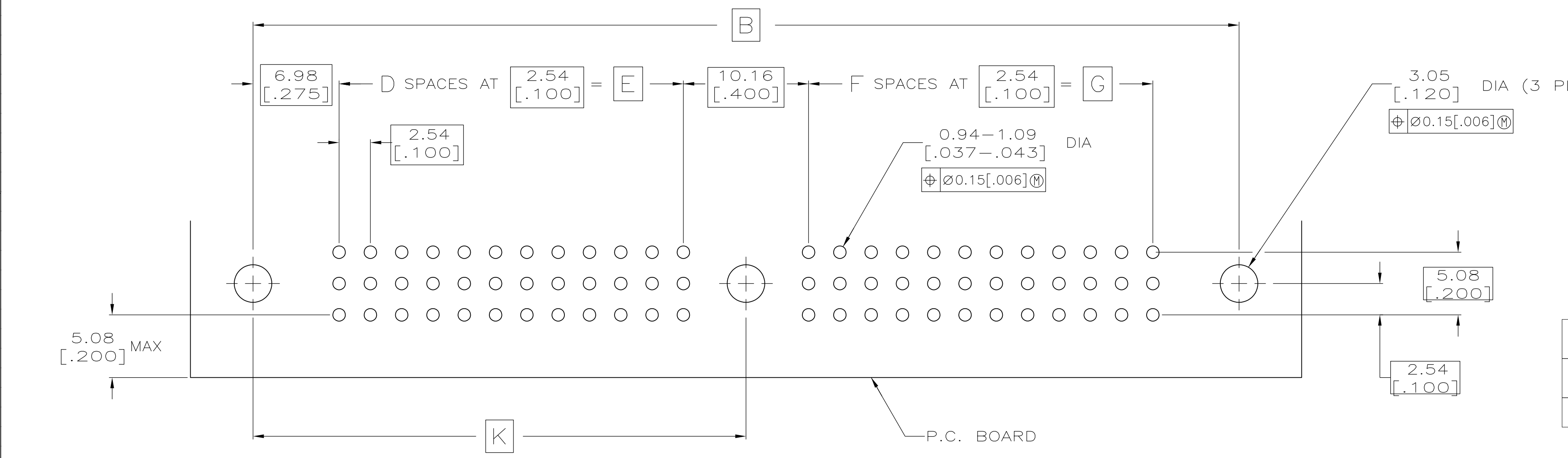
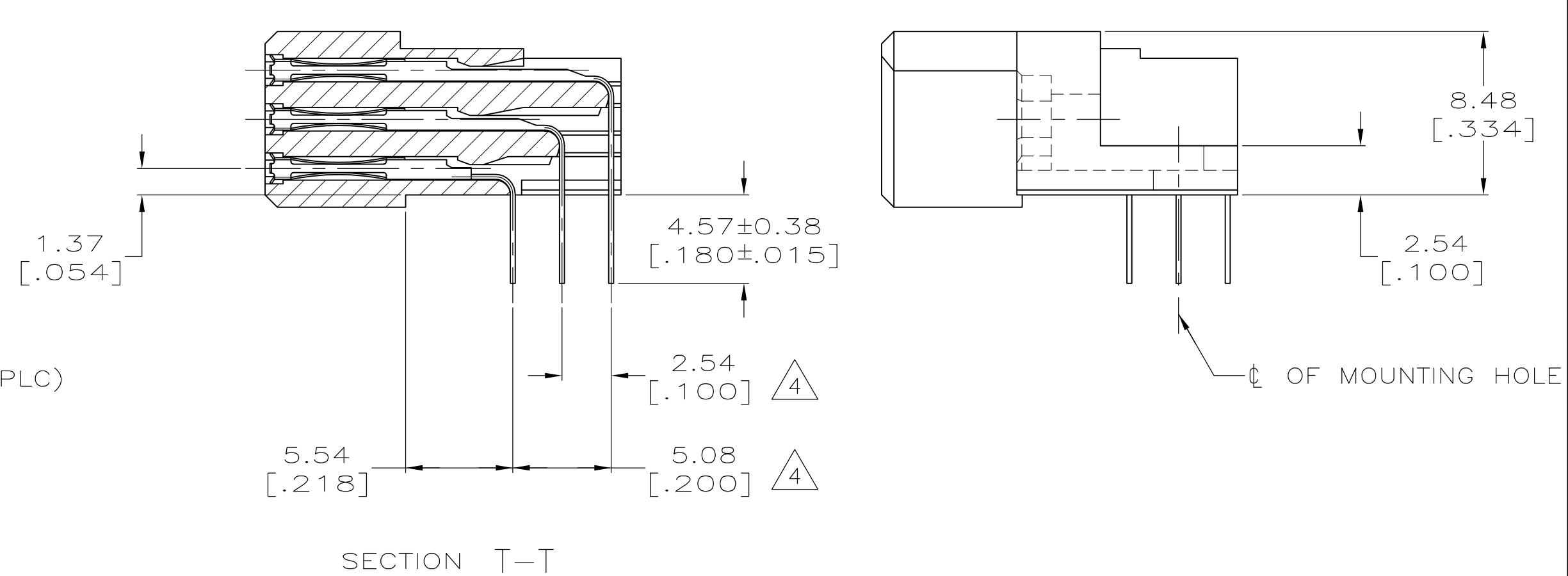
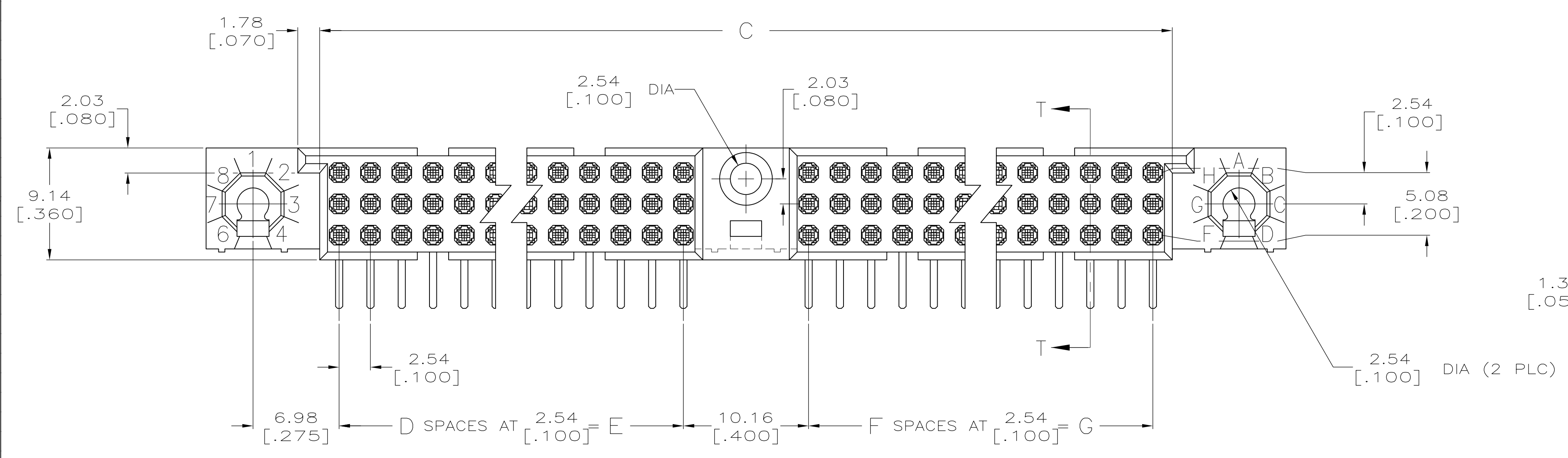


LOC		DIST		REVISONS			
AD	25	REV	DATE	DESCRIPTION	DATE	BY	APPV
		0	10JUN05	RELEASE PER EC-0512-0034-05		JDP	AMS
		01	02NOV09	REVISED PER ECO-09-024606		KK	AEG



- ① HOUSING MATERIAL: THERMOPLASTIC.
- ② CONTACT MATERIAL: COPPER ALLOY.
- ③ CONTACT FINISH: .00127-.00254 [.000050-.000100] NICKEL UNDERPLATE ALL OVER; .00076 [.000030] GOLD PLATE IN CONTACT AREA, TIN PLATED SOLDER TAILS.
- ④ SOLDER TAILS MUST FIT HOLE PATTERN AS SHOWN ON THE RECOMMENDED P.C. BOARD LAYOUT.
- ⑤ OBSOLETE PARTS: OBSOLETE CIS STREAMLINING PER D.RENAUD/D.SINISI



164.46 [6.475]	152.40 [6.000]	60	152.40 [6.000]	60	318.11 [12.524]	328.93 [12.950]	336.55 [13.250]	366	⑤ -5532918-8-
149.22 [5.875]	137.16 [5.400]	54	137.16 [5.400]	54	287.63 [11.324]	298.45 [11.750]	306.07 [12.050]	330	5532918-6
K	G	F	E	D	C	B	A	POSN	PART NUMBER

DIMENSIONS:		TOLERANCES UNLESS OTHERWISE SPECIFIED:		MATERIAL		FINISH	
mm	[INCHES]	0 PLC	± -	①	②	③	④
		1 PLC	± -				
		2 PLC	± 0.13[005]				
		3 PLC	± -				
		4 PLC	± -				
		ANGLES	± -				