

$\phi$  **221**mm

# San Ace C221



## General Specifications

- Material ..... Motor case: Aluminum,  
Impeller: Plastics (Flammability: UL94V-0)
- Expected Life ..... Refer to specifications (L10:Survival rate: 90% at 60°C ,  
rated voltage, and continuously run in a free air state)
- Lead Wire ..... ⊕red ⊖black (Sensor) yellow (Control) brown
- Storage Temperature ..... -30°C to +70°C (Non-condensing)

$\phi$  **221**mm×**71**mm (Mass : 1,050g) **9TP** type

## Specifications

When inlet nozzle [Option (Model : 109-1135)] is mounted. The following nos. **have PWM controls and pulse sensors.**

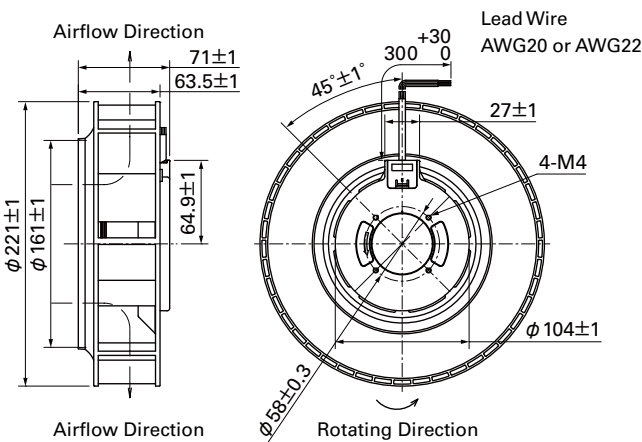
Model No.	Rated Voltage [V]	Operating Voltage Range [V]	PWM duty cycle <sup>*)</sup> [%]	Rated Current [A]	Rated Input [W]	Rated Speed [min <sup>-1</sup> ]	Max. Airflow [m <sup>3</sup> /min] [CFM]	Max. Static Pressure [Pa] [inchH <sub>2</sub> O]	SPL [dB(A)]	Operating Temperature [°C]	Expected Life [h]
9TP24P0H001	24	16 to 36	100	3.2	76.8	3,050	17.6 622	530 2.13	71	-20 to +70	40,000/60°C (70,000/40°C)
			15	0.4	9.6	1,000	5.75 203	57.4 0.23	53		
9TP48P0G001	48	36 to 72	100	2.75	132	3,650	21 742	760 3.05	74	-20 to +60	
			15	0.2	9.6	1,000	5.75 203	57.4 0.23	53		
9TP48P0H001	48	36 to 72	100	1.6	76.8	3,050	17.6 622	530 2.13	71	-20 to +70	
			15	0.2	9.6	1,000	5.75 203	57.4 0.23	53		

Note 1 : Fan does not rotate when PWM duty cycle is 0%.

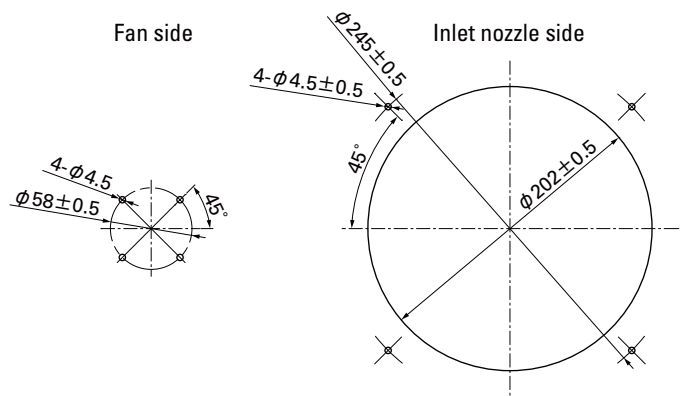
\*)PWM Frequency : 25kHz

Note 2 : Max input is 9TP48P0G001: 280 W, 9TP24P0H001 / 9TP48P0H001: 160 W at rated voltage.

## Dimensions (unit: mm)



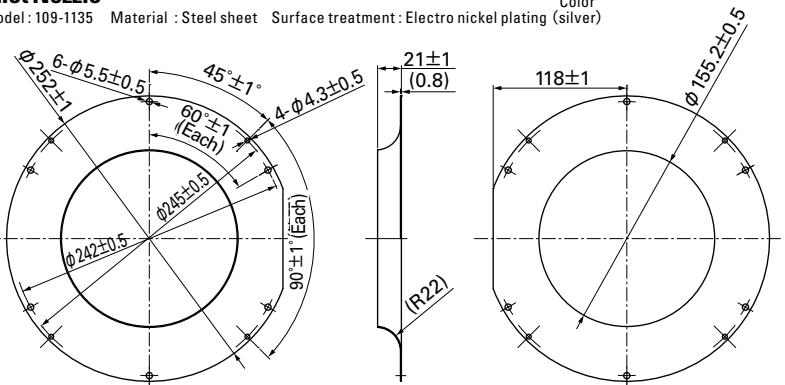
## Reference Dimensions of Mounting Holes and Vent Opening (unit: mm)



## Options (unit: mm)

### Inlet Nozzle

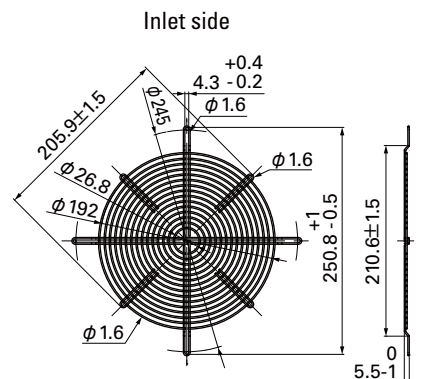
Model : 109-1135 Material : Steel sheet Surface treatment : Electro nickel plating Color (silver)



Mass: 230g

### Finger Guards

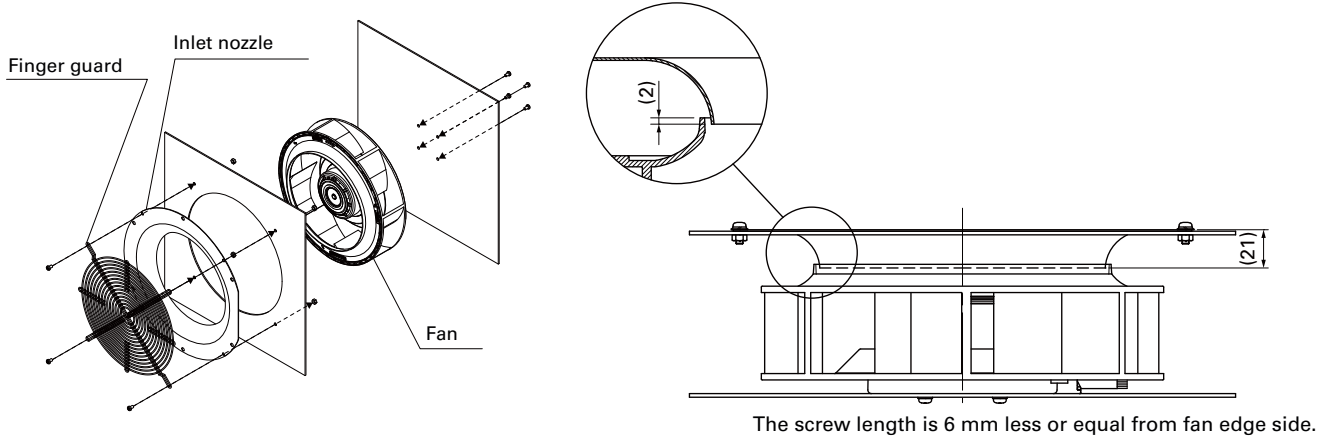
Model : 109-1138 Surface treatment : Nickel-chrome plating Color (silver)



Mass: 105g

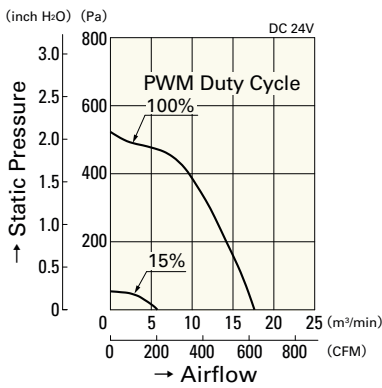
Inlet nozzle : Nozzle mounted in fan inlet side to adjust the flow of introduced air

## Reference Diagram for Mounting

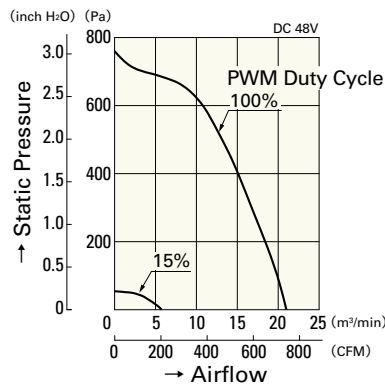


## Airflow - Static Pressure Characteristics

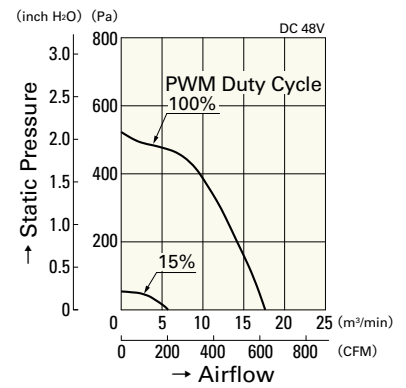
### PWM Duty Cycle



**9TP24P0H001**

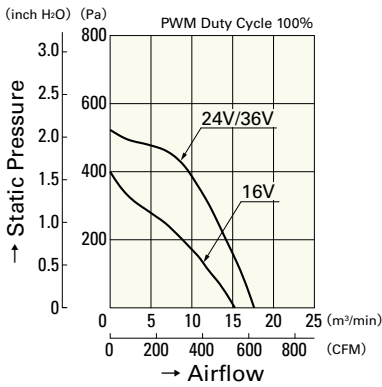


**9TP48P0G001**

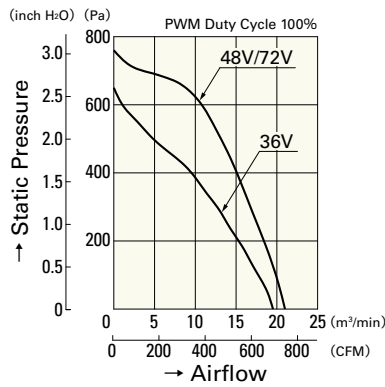


**9TP48P0H001**

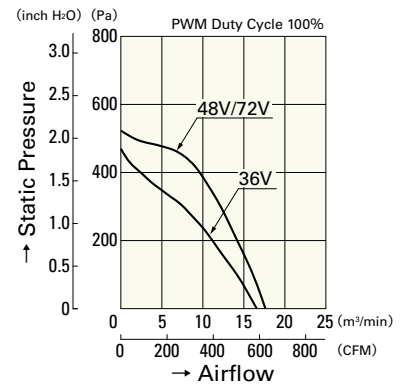
### Operating Voltage Range



**9TP24P0H001**

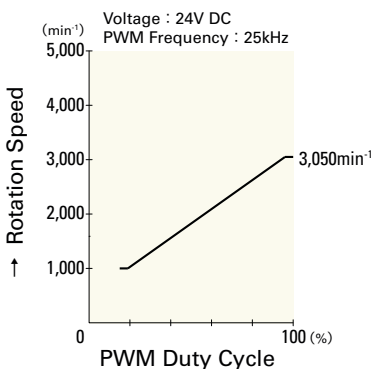


**9TP48P0G001**

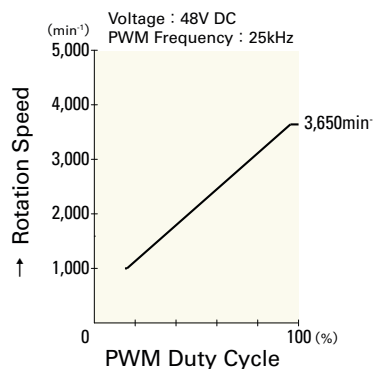


**9TP48P0H001**

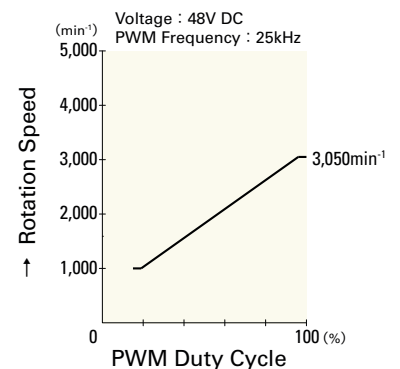
## PWM Duty - Speed Characteristics Example



**9TP24P0H001**



**9TP48P0G001**



**9TP48P0H001**