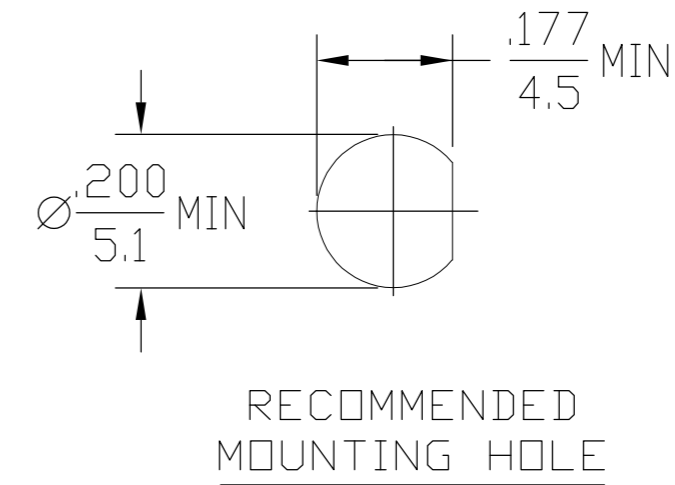
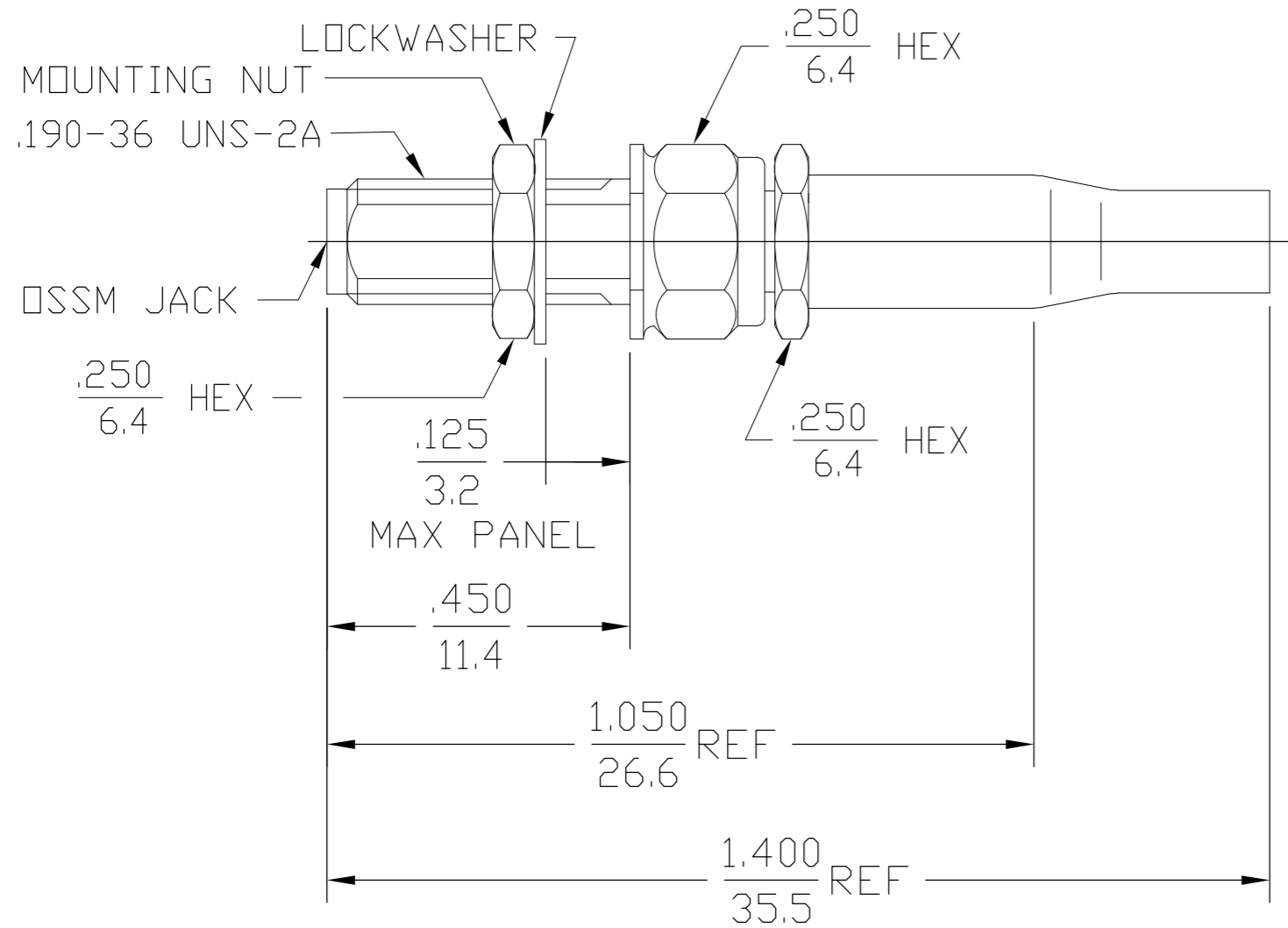


THIS DRAWING IS UNPUBLISHED. RELEASED FOR PUBLICATION  
 © COPYRIGHT BY TYCO ELECTRONICS CORPORATION. ALL RIGHTS RESERVED.

DESIGNED FOR USE WITH RG 196/U CABLE	
CABLE ENTRY DIAMETER MINIMUM	
FERRULE	.099
SLEEVE	.037
DIELECTRIC	.039
CONTACT	.024

REVISIONS					
P	LTR	DESCRIPTION	DATE	DWN	APVD
B		REV PER ECO-07-030541	07FEB08	PY	DW



ELECTRICAL	MECHANICAL	ENVIRONMENTAL
Nominal Impedance (Ohms) 50	Interface Dimensions MIL-STD-348, Fig. 319.2	TEMPERATURE RATING -65°C TO 105°C
Frequency Range (GHz) PER MIL-C-17	Recommended Mounting Torque 5 in-lbs	Vibration MIL-STD-202, Method 204, Condition D
Volt Rating (VRMS MAX) @ Sea Level 170	Mating Characteristics: Insertion (MAX lbs) 3.0	Shock MIL-STD-202, Method 213, Condition I
VSWR 1.25 +.03 f(GHz)	Withdrawal (MIN oz) 1.0	Thermal Shock MIL-STD-202, Method 107, Condition B, EXCEPT HIGH TEMP +85°C
Insertion Loss (dB MAX) .07 √f(GHz)	Force to Engage and Disengage (in-lbs MAX) 2.0	Moisture Resistance MIL-STD-202, Method 106, Except Vibration
RF Leakage (dB MIN) -[60-f(GHz)]	Cable Retention Axial Force (lbs) 10	Shall Be Omitted
Corona, 70,000 Ft (VRMS MIN) 125	Weight (Grams) TBD	Corrosion - MIL-STD-202, Method 101, Condition B, 5% salt spray
Dielectric Withstanding Voltage (VRMS MIN) @ Sea Level 500		
Contact Resistance (Milliohms MAX) Center Contact 3.0 Outer Contact 2.0 Cable to Housing TBD		
RF High Potential @ Sea Level (VRMS MIN @ 5 MHz) 335		
I.R.(Megohms MIN) 5,000		

.XXX = in  
 XX.X = mm (REF)

COMPONENT	MATERIAL	FINISH
HOUSING MOUNTING NUT LOCKWASHER CLAMP NUT	STAINLESS STEEL PER ASTM-A484 AND ASTM-A582, TYPE 303	PASSIVATE PER ASTM-A380
DIELECTRIC	PTFE FLUOROCARBON PER ASTM-D-1457	N/A
CENTER CONTACT	BERYLLIUM COPPER PER ASTM-B-196 OR ASTM-B-197, ALLOY C17300, CONDITION H	GOLD PLATE PER MIL-G-45204
RETAINING RING	BERYLLIUM COPPER PER ASTM-B-194, ALLOY C17200, CONDITION H	GOLD PLATE PER MIL-G-45204
SHRINK TUBING	HEAT SHRINKABLE POLYOLEFIN COMPOUND MIL-I-23053/4	N/A
FERRULE INNER SLEEVE	COPPER OR BRASS ALLOY ROCKWELL F65 MAXIMUM	GOLD PLATE PER MIL-G-45204

THIS DRAWING IS A CONTROLLED DOCUMENT.		DWN P. YEAGER 06FEB2008	Tyco Electronics Tyco Electronics Corporation Harrisburg, PA 17105-3608	
DIMENSIONS: INCHES		CHK D. WILSON 06FEB08	NAME	
TOLERANCES UNLESS OTHERWISE SPECIFIED:		APVD D. WILSON 06FEB08	OSSM BULKHEAD FEED THRU STRAIGHT CABLE JACK CRIMP CLAMP ATTACHMENT	
0 PLC ± -		PRODUCT SPEC	SIZE A2	CAGE CODE 00779
1 PLC ± -		APPLICATION SPEC	DRAWING NO C=1045506	RESTRICTED TO
2 PLC ± -		WEIGHT -	SCALE 4:1	SHEET 1 of 1
3 PLC ± -		CUSTOMER DRAWING	REV B	
4 PLC ± -				
ANGLES ± -				
FINISH				
SEE TABLE				
SEE TABLE				

1045506

A