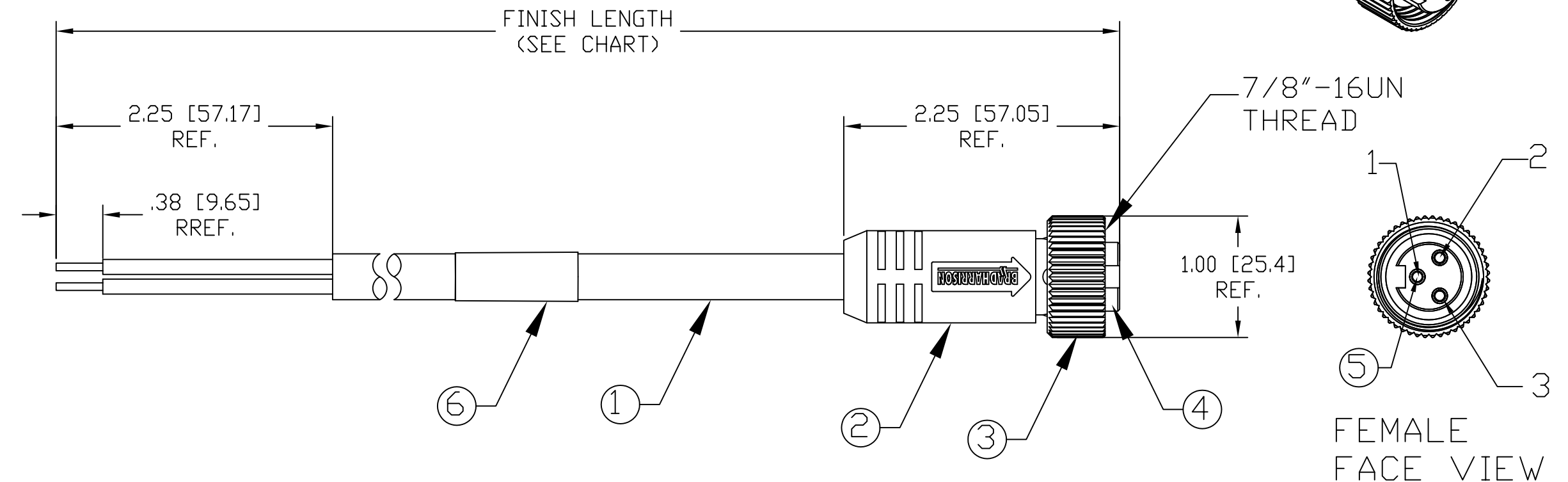
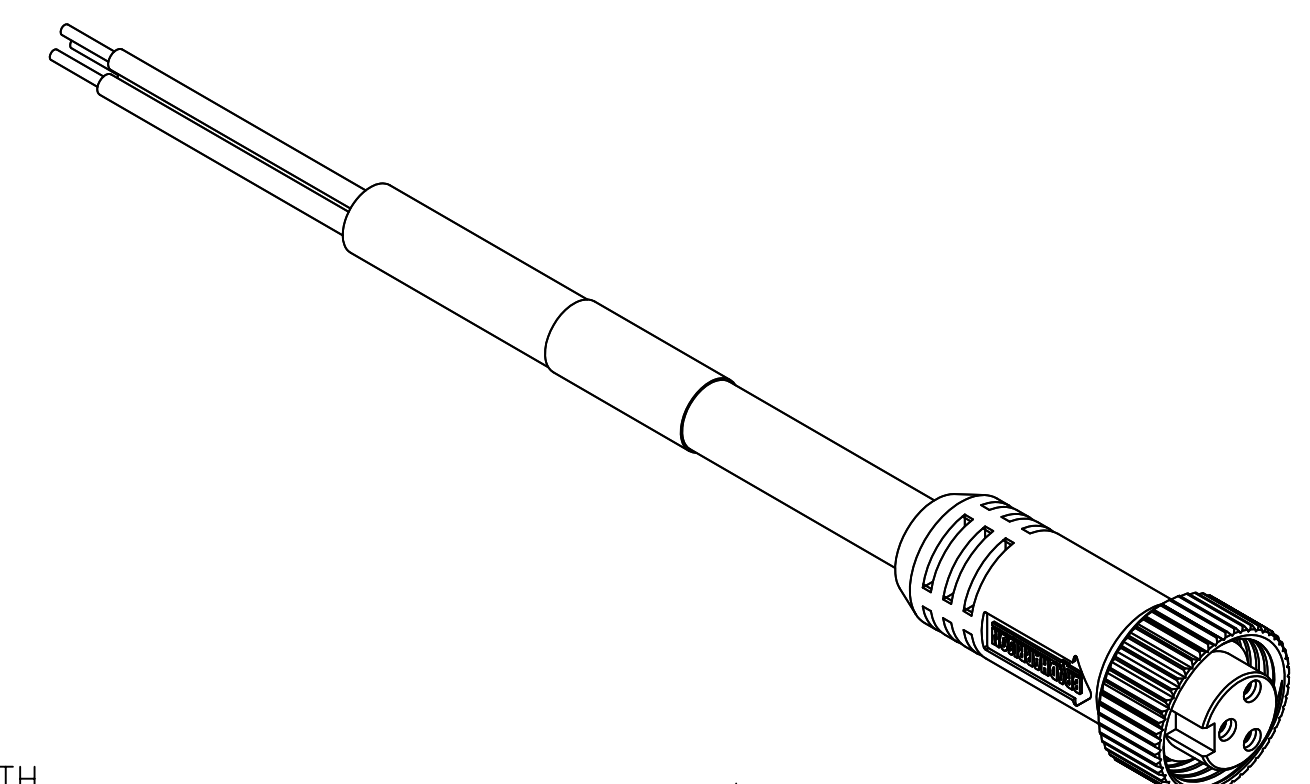


13	12	11	10	9
PART NUMBER	ENGINEERING NUMBER	FINISH LENGTH		
1300060217	103000A01F030	3.00' +1.75" -0 [0.9M +44.5 -0]		
1300060221	103000A01F060	6.00' +3.50" -0 [1.8M +88.9 -0]		
1300060229	103000A01F090	9.00' +3.50" -0 [2.7M +88.9 -0]		
1300060232	103000A01F120	12.00' +6.50" -0 [3.7M +165.1 -0]		
1300060237	103000A01F150	15.00' +6.50" -0 [4.6M +165.1 -0]		
1300060241	103000A01F200	20.00' +6.50" -0 [6.1M +165.1 -0]		
1300060246	103000A01F250	25.00' +12.50" -0 [7.6M +317.5 -0]		
1300060250	103000A01F300	30.00' +12.50" -0 [9.1M +317.5 -0]		
1300060253	103000A01F350	35.00' +12.50" -0 [10.7M +317.5 -0]		
1300060254	103000A01F400	40.00' +12.50" -0 [12.2M +317.5 -0]		

8	7	6	5	4	3	2	1
PART NUMBER	ENGINEERING NUMBER	FINISH LENGTH					
1300060257	103000A01F450	45.00' +12.50" -0 [13.7M +317.5 -0]					
1300060258	103000A01F500	50.00' +24.50" -0 [15.2M +622.3 -0]					



- NOTE
- 1) MATERIAL: SEE TABLE
 - 2) FINISHES: SEE TABLE
 - 3) WRAP LABEL IS MARKED WITH P/N, DATE CODE, VOLTAGE & AMPERAGE
 - 4) MATES WITH: MINI CHANGE, 3 POLE RECEPTACLE
 - 5) ELECTRICAL DATA:
 INLINE CORDSET
 FEMALE A-SIZE WITH FLYING LEADS
 16AWG UNSHIELDED
 POLES: 3
 MAX. VOLTAGE: 600V
 MAX. CURRENT 13A
 PROTECTION IP67
 TEMPERATURE RANGE: -20°C TO 105°C
 - 6) PACKAGING:
 CABLE ASSEMBLIES ARE BAGGED SEPERATELY
 IN POLY BAGS WITH BAR CODE LABEL ATTACHED
 TO OUTSIDE OF BAG.
 - 7) ASSEMBLY IS RoHS COMPLIANT.
 - 8) CERTIFICATION
 UL RECOGNIZED, FILE NO. E152210
 CSA CERTIFIED, FILE NO. LR6837

P1

1	GREEN/YELLOW-GRD
2	BLACK
3	WHITE

WIRING DIAGRAM

ITEM	QTY.	DESCRIPTION	MATERIAL	FINISH
6	1	LABEL	PLASTIC FILM	BLACK/YELLOW
5	3	CONTACT SOCKET	COPPER ALLOY	GOLD PLATED
4	1	INSERT	PVC	YELLOW
3	1	COUPLING NUT	ZINC DIE CAST	BLACKE-COATED
2	1	OVERMOLD	PVC	YELLOW
1	1	CABLE, 16AWG-3 TYPE ST00W	PVC	YELLOW

CORRECT COLOR ROTATION EC NO: WNA2010-0389 DRWN: TWOLDEGE 12/17/09 CH'KD: BWOODMAN APPR: JFMURPHY 2010/01/04	QUALITY SYMBOL 	GENERAL TOLERANCES (UNLESS SPECIFIED)		DIMENSION STYLE IN/MM		SCALE 1:1	DESIGN UNITS INCH	THIRD ANGLE PROJECTION		
		4 PLACES ±--- ±---	mm INCH	DRAWN BY TWOLDEGE	DATE 2009/07/10	TITLE MINI CHANGE ASSEMBLY 3-POLE FEMALE ST 16/3AWG PVC				
		3 PLACES ±.005 ±.005 2 PLACES ±.013 ±.010 1 PLACE ±.025 ±.020	ANGULAR ±1/2°	CHECKED BY BWOODMAN	DATE 2009/07/10	MOLEX INCORPORATED				
		DRAFT WHERE APPLICABLE MUST REMAIN WITHIN DIMENSIONS		APPROVED BY JFMURPHY	DATE 2010/01/04	MATERIAL NO. SEE CHART	DOCUMENT NO. SD-130006-008	SHEET NO. 1 OF 1		

THIS DRAWING CONTAINS INFORMATION THAT IS PROPRIETARY TO MOLEX INCORPORATED AND SHOULD NOT BE USED WITHOUT WRITTEN PERMISSION