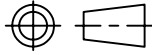
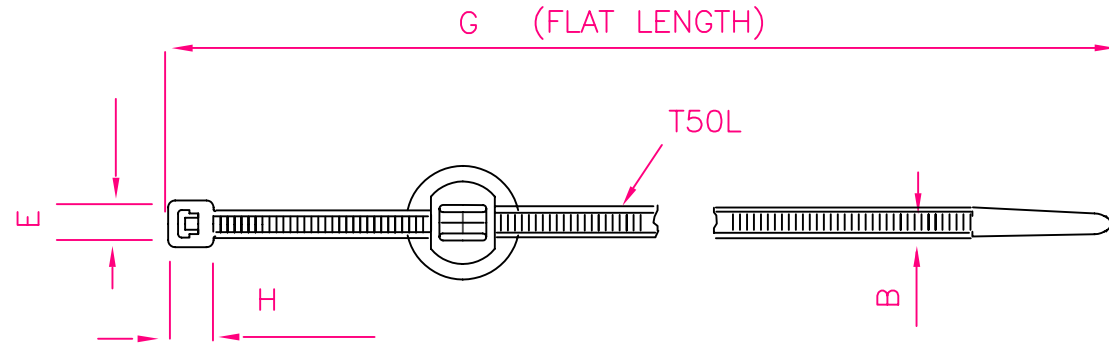
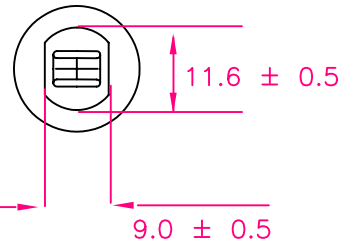
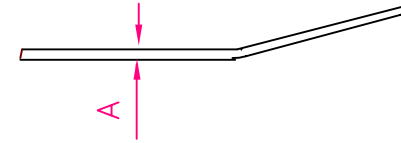
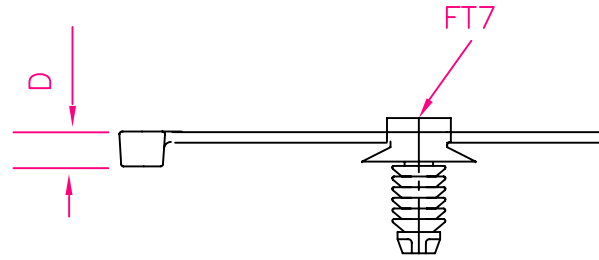
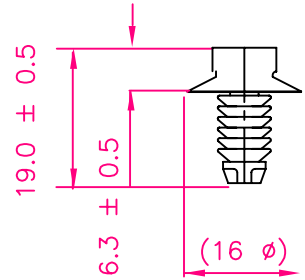


ACAD



Revision level		Revision Record	Changed	Date	Approved	Date
Part	Drawing					



A	B	D	E	G	H
1.2 ± 0.2	4.6 ± 0.2	5.8 ± 0.3	8.0 ± 0.5	390.0 ± 10.0	7.0 ± 0.5

Hole size (mm)
6.5 to 7.0

Panel thickness (mm)
0.8 to 7.0

Bundle (mm)
1.5 to 110

Tensile strength
225N

Material P.A. 66

Dimension without tolerances details to:
DIN 16901

Tolerances

PERFORMANCE SPECIFICATION

The copyright of this drawing is reserved by HELLERMANN TYTON. It is issued on condition that it is not reproduced, copied or disclosed to a third party, either wholly or in part, without the consent of HELLERMANN TYTON.

Drawn MANDY ONG 30/04/07
Approved. EDWARD TAN 30/04/07

HellermannTyton

545, Yishun Industrial Park A
Yishun Avenue 7
Singapore 768741
Tel: (+65) 6852 8585
Fax: (+65) 6756 6798

Scale not to scale

Title

T50LFT7

Drawing-No

SG07023-00

Uncontrolled Document

Format

A4

Sheet 1 of 1

Product Number
Cross Reference Record

Uncontrolled Document

Pre-UNS Number System	(New) UNS Universal Number System	Customer Part Number
Product Number T50LFT7	Product Number 156-00055	Product Number -
Reference Drawing Number: XCT-SING025CST(SG7023-00)		

Issued By:

(New) UNS Product Number

Issue Date:

HellermannTyton

Universal Numbering System

April 7, 2011