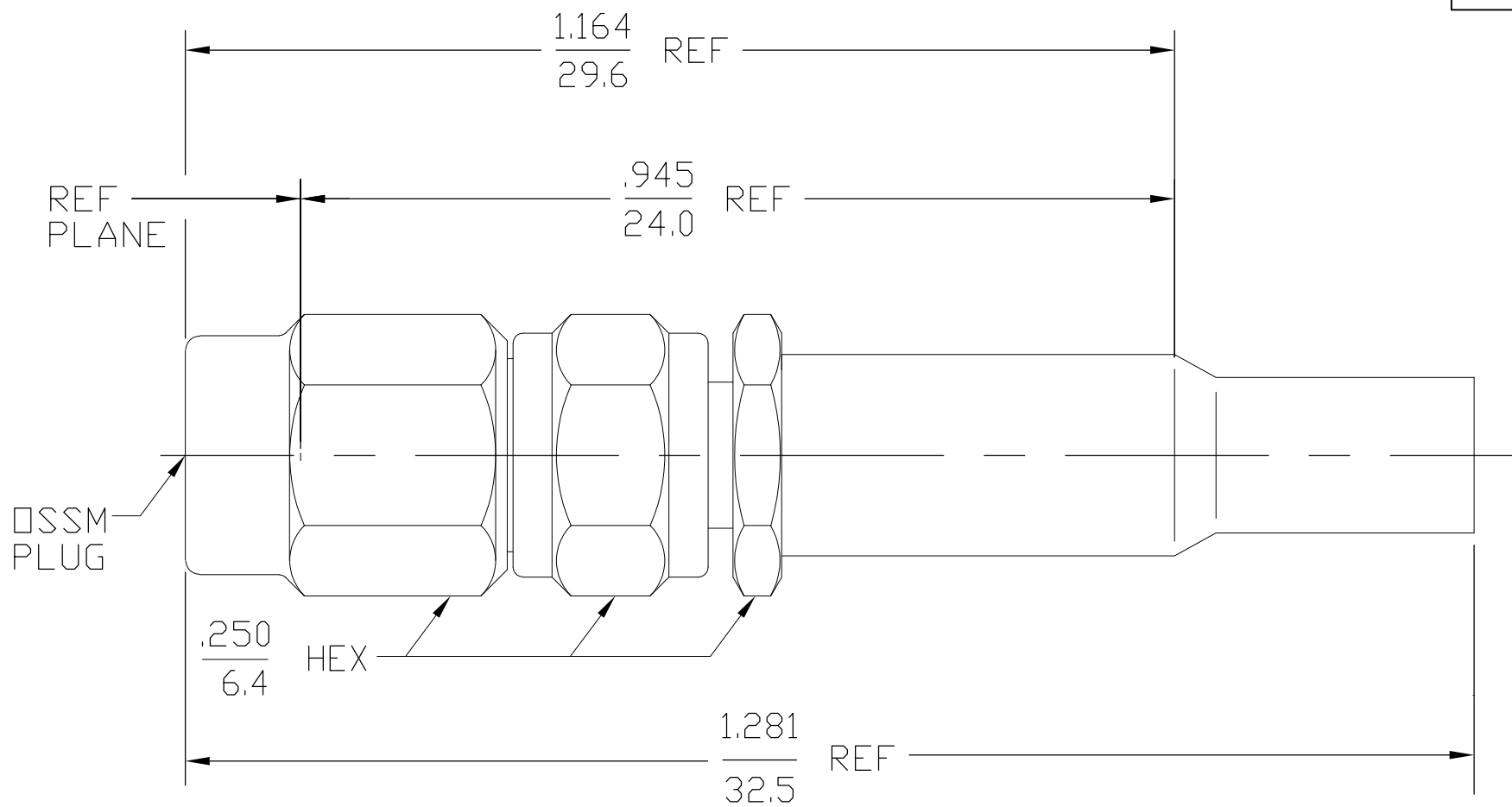


THIS DRAWING IS UNPUBLISHED. RELEASED FOR PUBLICATION  
 © COPYRIGHT BY TYCO ELECTRONICS CORPORATION. ALL INTERNATIONAL RIGHTS RESERVED.

LOC		DIST		REVISIONS			
P	LTR	DESCRIPTION		DATE	DWN	APVD	
	B	REV PER ECO 08-018955		19NOV08	PK	DW	



COMPONENT	MATERIAL	FINISH
HOUSING COUPLING NUT CLAMP NUT	STAINLESS STEEL PER ASTM-A484 AND ASTM-A582, TYPE 303	GOLD PLATE PER MIL-G-45204
INNER SLEEVE	BRASS PER ASTM-B-16, HALF HARD	GOLD PLATE PER MIL-G-45204
DIELECTRIC	TFE FLUOROCARBON PER ASTM-D-1457	N/A
CENTER CONTACT	BERYLLIUM COPPER PER ASTM-B-196 OR ASTM-B-197, ALLOY C17300, CONDITION H	GOLD PLATE PER MIL-G-45204
RETAINING RING	BERYLLIUM COPPER PER ASTM-B-194, ALLOY C17200, CONDITION H	GOLD PLATE PER MIL-G-45204
RETAINING RING	BERYLLIUM COPPER PER ASTM-B-194, ALLOY C17200, CONDITION H	N/A
GASKET	SILICONE RUBBER PER ZZ-R-765	N/A
SHRINK TUBING	HEAT SHRINKABLE POLYOLEFIN COMPOUND MIL-I-23053/4	N/A
FERRULE	COPPER OR BRASS ALLOY ROCKWELL F65 MAXIMUM	GOLD PLATE PER MIL-G-45204

ELECTRICAL	MECHANICAL	ENVIRONMENTAL
Nominal Impedance (Ohms) <u>50</u>	Interface Dimensions MIL-STD-348A, Fig. 319.1	TEMPERATURE RATING <u>-65°C TO +165°C</u>
Frequency Range (GHz) DC to <u>12.4</u>	Recommended Mating Torque <u>5 in-lbs</u>	Vibration MIL-STD-202, Method 204, Condition D.
Volt Rating (VRMS MAX) @ Sea Level <u>250</u>	Mating Characteristics:	Shock MIL-STD-202, Method 213, Condition I.
VSWR <u>1.15 +.02</u>	Insertion (MAX Lbs) N/A	Thermal Shock MIL-STD-202, Method 107, Condition B,
Insertion Loss (dB MAX) <u>.06 √f(GHz)</u>	Withdrawal (MIN Oz) N/A	EXCEPT HIGH TEMP +85°C
RF Leakage (dB MIN) <u>-60 @ 2-3 GHz</u>	Force to Engage and Disengage (In-Lbs MAX) <u>2.0</u>	Moisture Resistance MIL-STD-202, Method 106
Corona, 70,000 Ft (VRMS MIN) <u>190</u>	Center Contact Captivation Axial (Lbs) <u>6.0</u>	Corrosion - MIL-STD-202, Method 101, Condition B, 5% salt spray
Dielectric Withstanding Voltage (VRMS MIN) @ Sea Level <u>750</u>	Radial (In-Oz) <u>N/A</u>	
Contact Resistance (Milliohms MAX) Center Contact <u>2.0</u>	Cable Retention Axial Force (Lbs MIN) <u>20.0</u>	
Outer Contact <u>2.0</u>	Torque (In-Oz) <u>N/A</u>	
Cable to Housing <u>0.5</u>	Weight (Grams) <u>TBD</u>	
RF High Potential @ Sea Level (VRMS MIN @ 5 MHz) <u>500</u>		
I.R.(Megohms MIN) <u>5,000</u>		

DESIGNED FOR USE WITH RG-188 CABLE OR EQUIV CABLE ENTRY DIAMETER MINIMUM	
CONTACT	.023
DIELECTRIC	.066
SLEEVE	.063
FERRULE	.125

THIS DRAWING IS A CONTROLLED DOCUMENT.	
DIMENSIONS: INCHES	TOLERANCES UNLESS OTHERWISE SPECIFIED:
	0 PLC ± -
	1 PLC ± -
	2 PLC ± -
	3 PLC ± .005
	4 PLC ± -
MATERIAL	FINISH
-	-

DWN B.W.	12-11-67	 Tyco Electronics Corporation Harrisburg, PA 17105-3608
CHK	12-11-67	
APVD D.NANIA	12-12-67	
PRODUCT SPEC		NAME
APPLICATION SPEC		<b>OSSM STRAIGHT CABLE PLUG CRIMP ATTACHMENT</b>
SIZE	CAGE CODE	DRAWING NO
A3	00779	C-1045488-1
CUSTOMER DRAWING		RESTRICTED TO
SCALE 6:1		SHEET 1 OF 1
REV B		