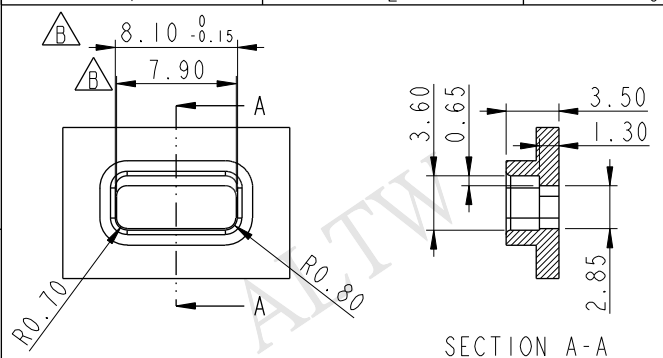
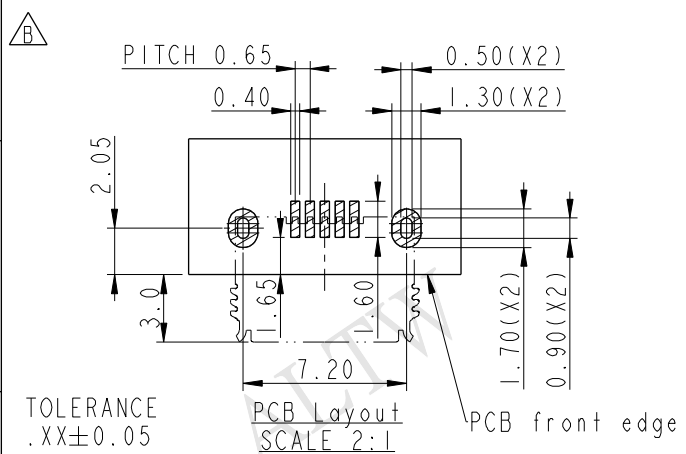
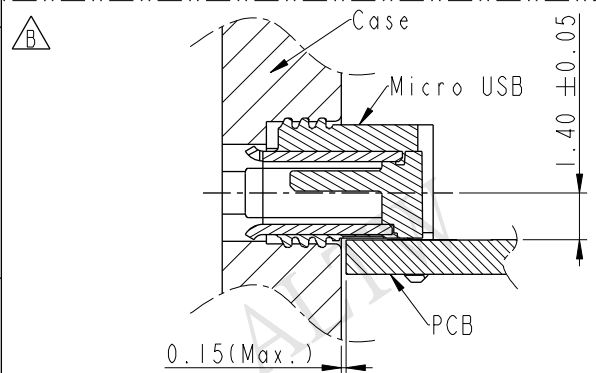


THIS DOCUMENT IS SUBJECT TO CHANGE WITHOUT NOTICE. IT IS CONFIDENTIAL AND A PROPERTY OF Amphenol LTW. DISCLOSURE TO THIRD PARTY HAS TO BE AUTHORIZED BY Amphenol LTW.

REV.	ECN NO.	DATE	SIGN	DESCRIPTION
A	Initial Release	2014/09/01	Jason.Yu	New Item
B	LEN1510438~41	2015/01/13	Jason.Yu	Modify PCB Layout & T&R & Note



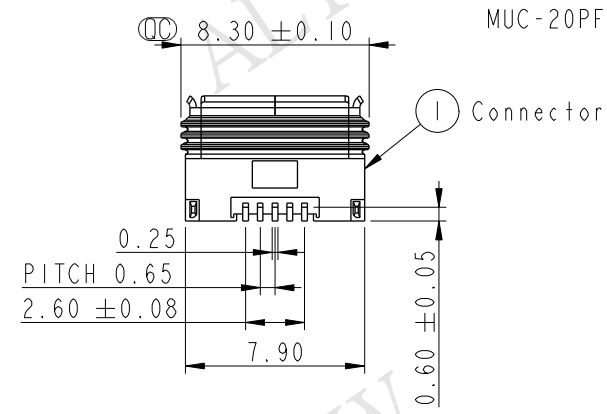
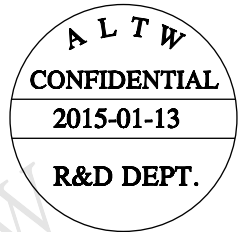
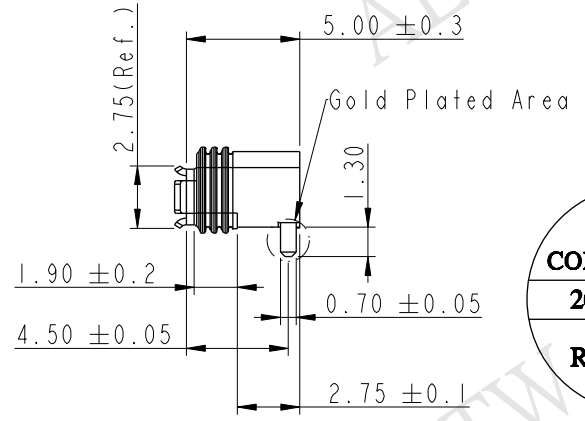
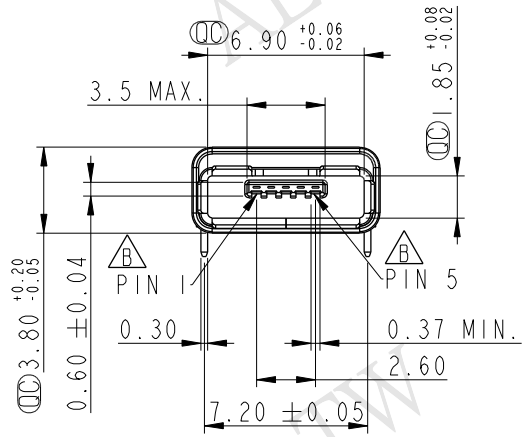
TOLERANCE Recommended Case Cut Out
.XX±0.05 SCALE 2:1



TOLERANCE
.XX±0.05

PCB Layout
SCALE 2:1

PCB front edge



MUC-20PFFR-JSXX01

- †70: IPX7(1M depth of water in 30min)
- †8A: IPX8(1M depth of water in 24hrs)
- †8B: IPX8(5M depth of water in 24hrs)
- †8C: IPX8(10M depth of water in 3hrs)

Note:

- * Ⓞ Important Dimensions To Check.
- * Current: 1&5pin(1.8A), 2~4 pin(1.0A)
- * Housing: Nylon, Black
- * Terminal: Copper Alloy, Gold Plated
- * Shell: Stainless, Gold Plated
- * Inner Gasket: Silicon, Transparent
- * Outside Gasket: Silicon, Transparent
- * PCB Thickness: 1.0 MAX.
- * For Micro USB A & B type plug use

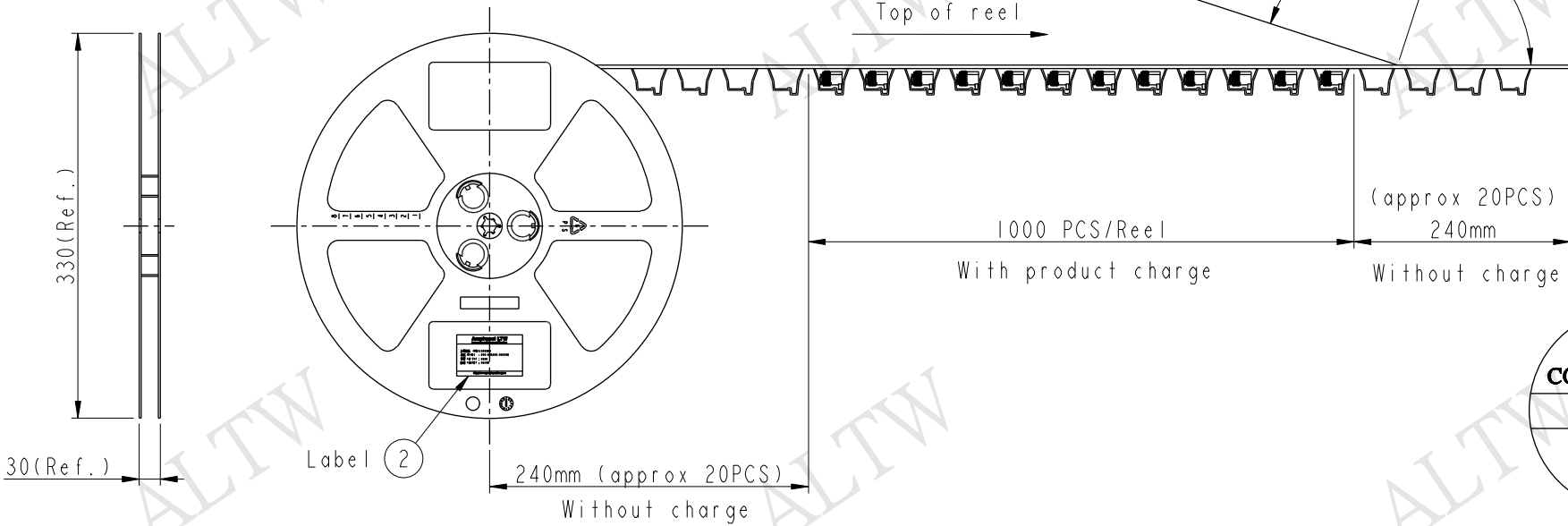
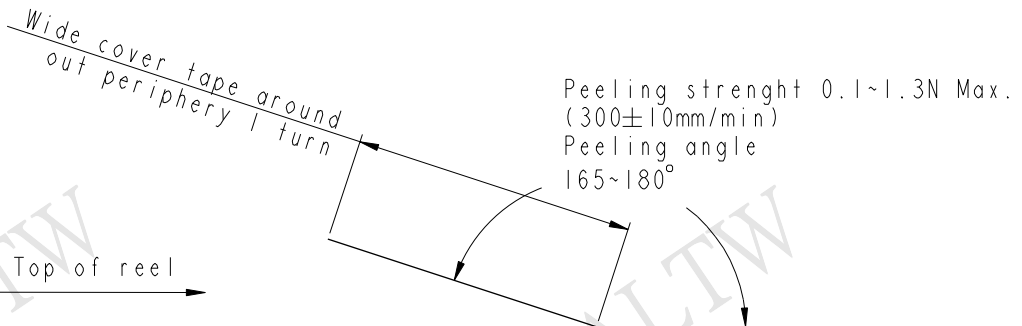
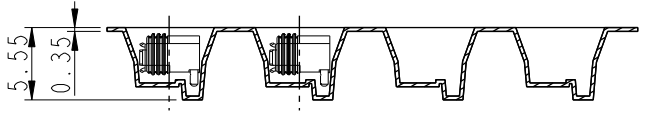
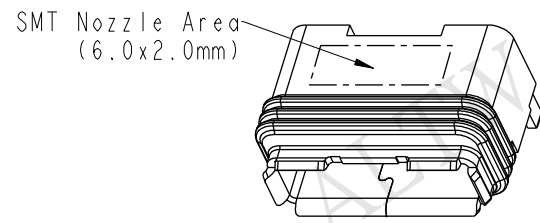
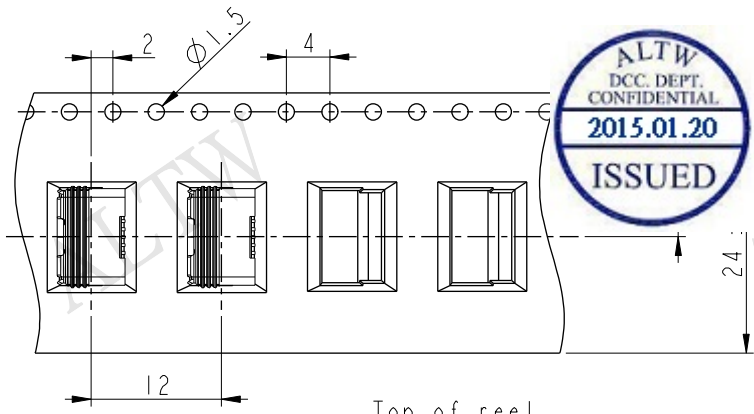
UNIT: mm			TITLE MICRO USB A&B SMD TYPE
TOLERANCE .X ±0.25 .XX ±0.1 .XXX ±0.05 ANGLES ±1°	SCALE 3:1	SIZE A4	SHEET 1 OF 3
REV. B	WC-REV. A.6	Ⓞ: Inspection item	

Amphenol LTW
安費諾亮泰企業股份有限公司

ITEM NO. MUC-20PFFR-JSXX01	DRAWN BY Jason.Yu	DATE 2015/01/13
CUSTOMER ALTW	CHECKED BY Aric	DATE 2015/01/13
	APPROVED BY Win	DATE 2015/01/13

THIS DOCUMENT IS SUBJECT TO CHANGE WITHOUT NOTICE. IT IS CONFIDENTIAL AND A PROPERTY OF AMPHENOL LTW. DISCLOSURE TO THIRD PARTY HAS TO BE AUTHORIZED BY AMPHENOL LTW.

△B



ALTW
CONFIDENTIAL
2015-01-13
R&D DEPT.

UNIT: mm		
TOLERANCE	.X ±0.25	.XX ±0.1
	.XXX ±0.05	ANGLES ±1°

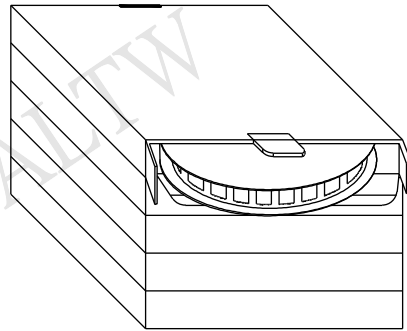
TITLE MICRO USB A&B SMD TYPE			
SCALE Free	SIZE A4	SHEET 2 OF 3	
REV. B	WC-REV. A.6	QC: Inspection item	

Amphenol LTW
安費諾亮泰企業股份有限公司

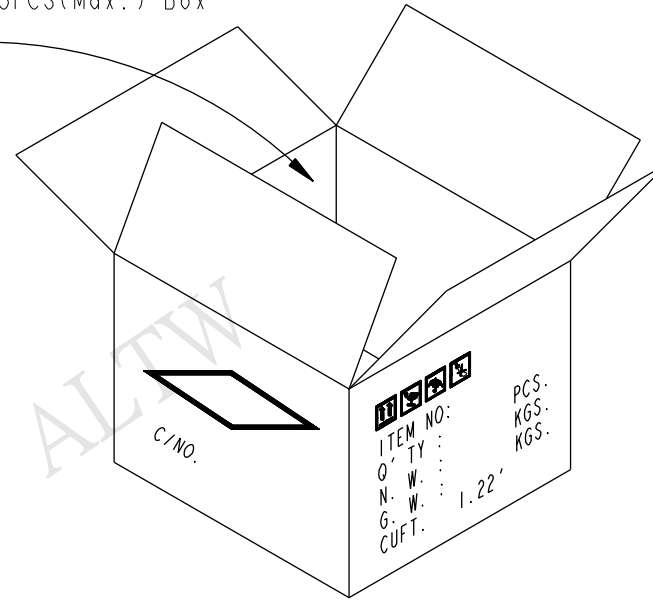
ITEM NO	DRAWN BY Jason.Yu	DATE 2015/01/13
DWG NO MUC-20PFFR-JSXX01	CHECKED BY Aric	DATE 2015/01/13
CUSTOMER ALTW	APPROVED BY Win	DATE 2015/01/13

Package :

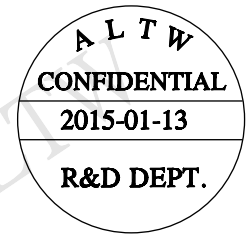
One Carton can put in the 5PCS(Max.) Box



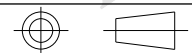
1000 PCS(Connector)/Tape&Reel, Put in a Box



(5,000 PCS/Carton)



UNIT:mm



TITLE MICRO USB A&B SMD TYPE			
SCALE Free	SIZE A4	SHEET 3 OF 3	
REV. B	WC-REV. A.47	QC: Inspection item	

Amphenol LTW
安費諾亮泰企業股份有限公司

ITEM NO	DRAWN BY Jason.Yu	DATE 2015/01/13
DWG NO MUC-20PFFR-JSXX01	CHECKED BY Aric	DATE 2015/01/13
CUSTOMER ALTW	APPROVED BY Win	DATE 2015/01/13

THIS DOCUMENT IS SUBJECT TO CHANGE WITHOUT NOTICE. IT IS CONFIDENTIAL AND A PROPERTY OF Amphenol LTW. DISCLOSURE TO THIRD PARTY HAS TO BE AUTHORIZED BY Amphenol LTW.