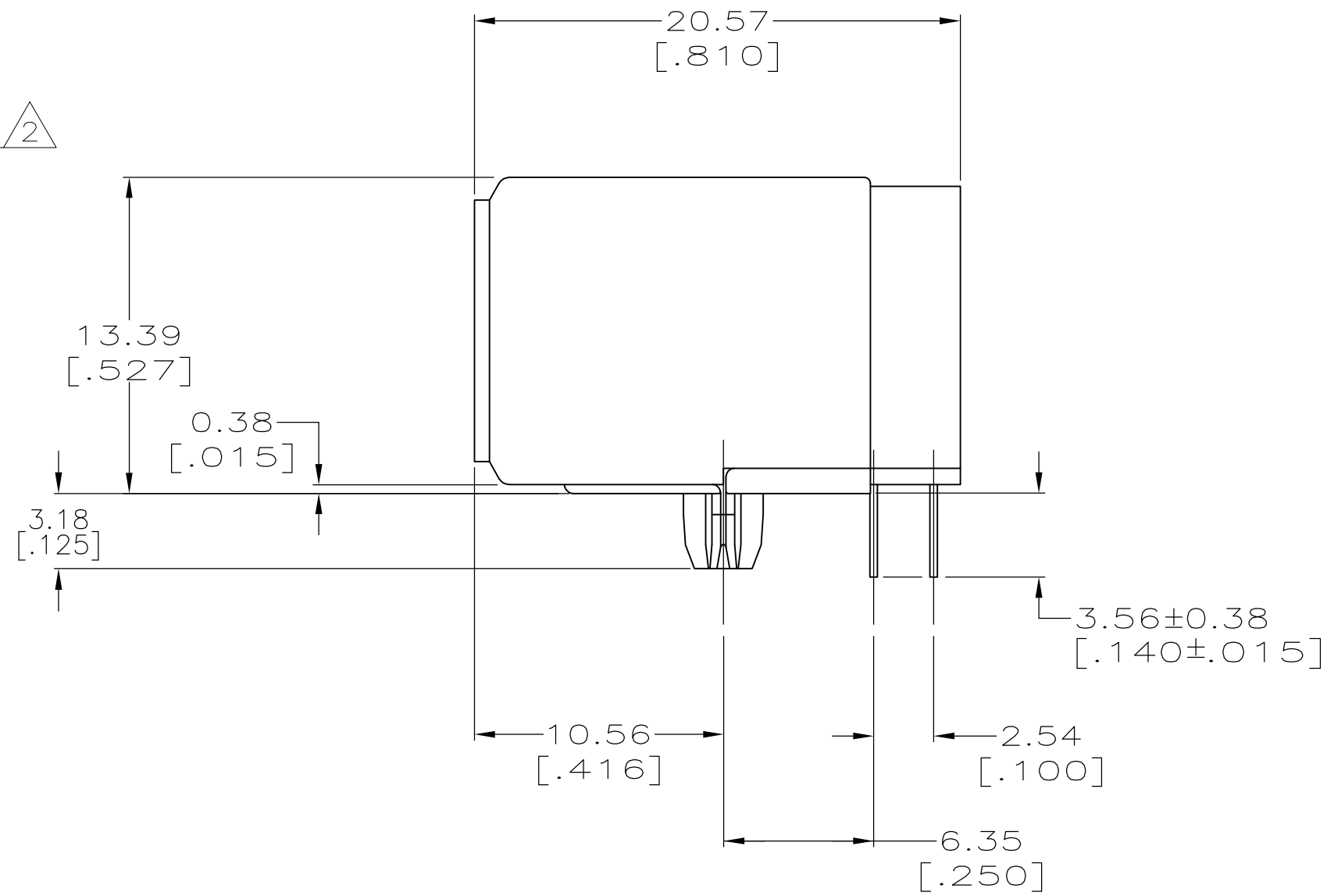
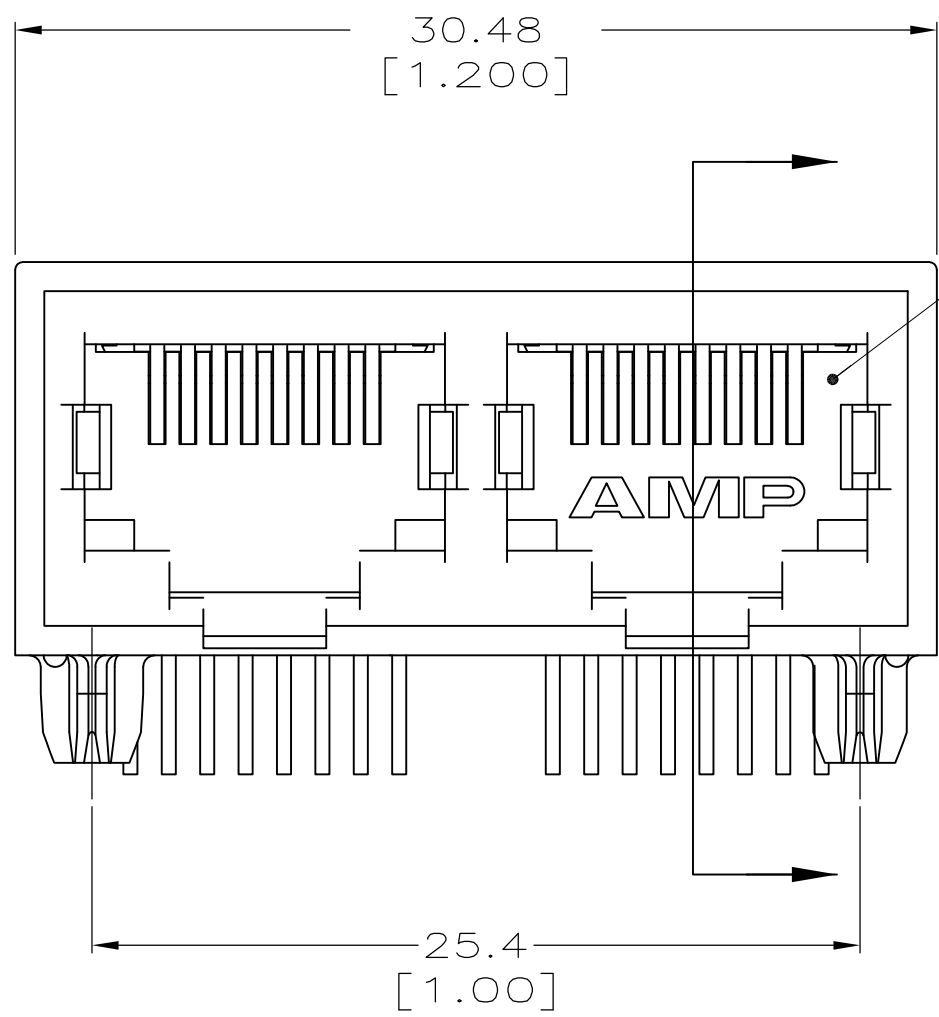
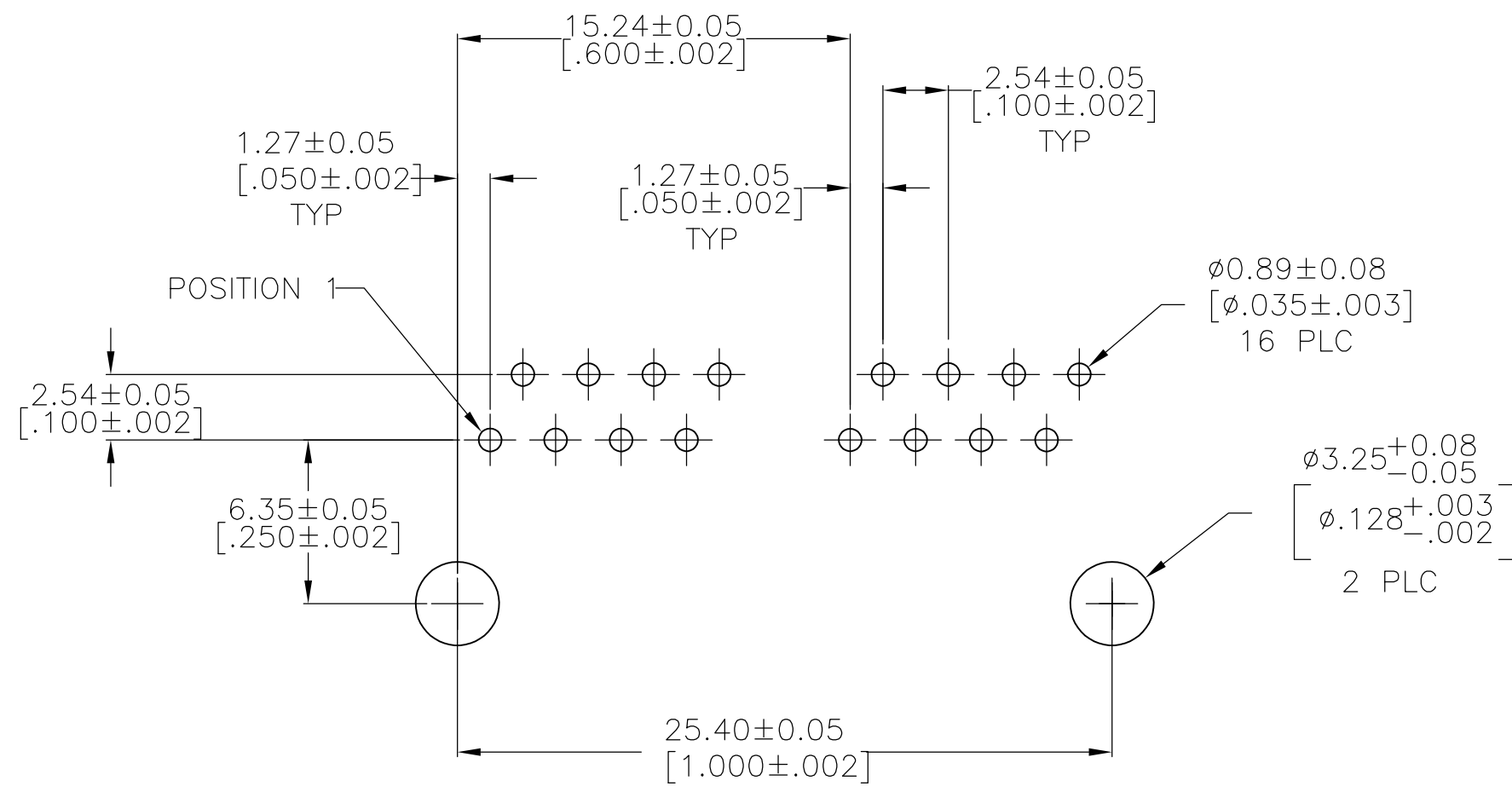


THIS DRAWING IS UNPUBLISHED. RELEASED FOR PUBLICATION  
 © COPYRIGHT BY TYCO ELECTRONICS CORPORATION. ALL RIGHTS RESERVED.

LOC		DIST		REVISIONS			
P	LTR	DESCRIPTION	DATE	DWN	APVD		
AA	00	B	ECO-07-021493	03OCT07	LAM	JW	



- 1 MATERIAL:  
 HOUSING - NYLON, COLOR: BLACK, UL 94V-0.  
 OVERMOLDED TERMINAL ARRAY - PBT, BROWN.  
 TERMINAL - 0.33[.013] THICK PHOS-BRONZE PLATED WITH 1.27 $\mu$ m[.000050] THICK HARD GOLD IN LOCALIZED GOLD PLATE AREA AND 3.81 $\mu$ m[.000150] THICK MATTE TIN IN SOLDER AREA OVER 1.27 $\mu$ m[.000050] THICK NICKEL UNDERPLATE.  
 ⚠ JACK CAVITY CONFORMS TO FCC RULES AND REGULATIONS PART 68, SUBPART F.



SUGGESTED PC BOARD LAYOUT  
 COMPONENT SIDE  
 SEE APPLICATION SPECIFICATION

6368120

6368120-1  
 PART NUMBER

THIS DRAWING IS A CONTROLLED DOCUMENT.		DWN DL DRUMMOND/L.A.MAYER 10MAY2005	Tyco Electronics Corporation Harrisburg, Pa 17105-3608	
DIMENSIONS: mm		CHK J.WESTMAN 10MAY2005	NAME	
TOLERANCES UNLESS OTHERWISE SPECIFIED:		APVD S.FLICKINGER 10MAY2005	PRODUCT SPEC	
0 PLC ± -		108-1163-2		SIZE
1 PLC ± -		APPLICATION SPEC		CAGE CODE
2 PLC ± 0.25[.01]		114-2048		DRAWING NO
3 PLC ± 0.13[.005]		WEIGHT -		RESTRICTED TO
4 PLC ± -		CUSTOMER DRAWING		SCALE 4:1 SHEET 1 OF 1 REV B
FINISH SEE NOTE 1		A2 00779 C=6368120		