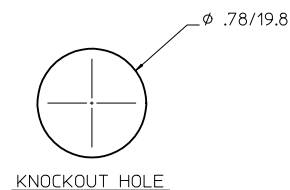
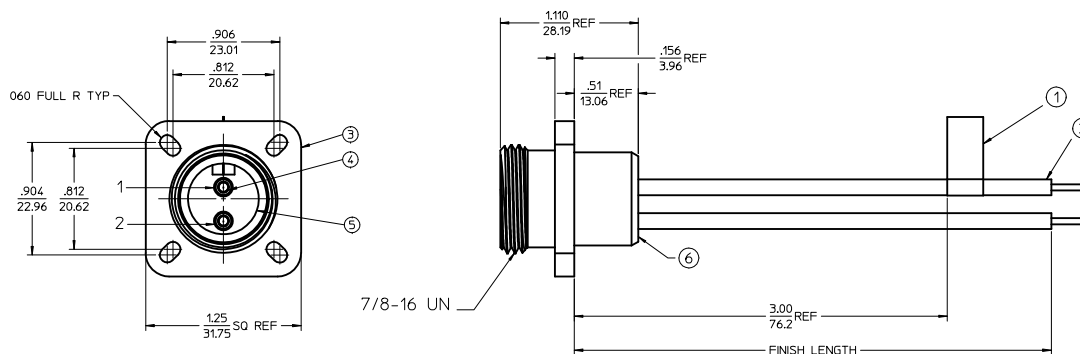
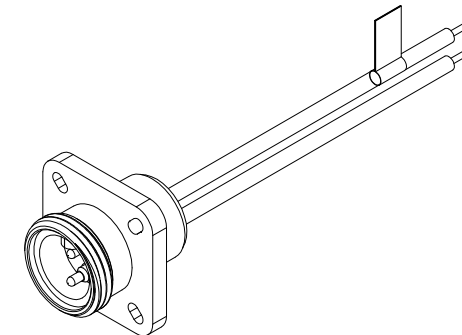


MATERIAL NUMBER	OLD PART NUMBER	FINISH LENGTH
130013-0099	1R2G06A20A120	1.0'+.75-0 [.3M+19.1-0]

VOLTAGE RATING	600 VAC/VDC
AMPERAGE RATING	13A
PROJECTION	IP67
OPERATING TEMPERATURE	-20° C TO 105° C
UL CERTIFICATIONS	UL RECOGNIZED, FILE NO. E152210
CSA CERTIFICATIONS	CSA CERTIFIED, FILE NO. LR6837



WIRING DIAGRAM

- 1 BLACK
- 2 WHITE

ITEM.	QTY.	COMPONENT	MATERIAL	FINISH
1	1	FLAG LABEL	PLASTIC FILM	BLACK/YELLOW
2	2	CONDUCTOR-16 AWG. 26X#30 COPPER STRANDING 600V	PVC	SEE WIRING DIAGRAM
3	1	RECEPTACLE SHELL	ALUMINUM	ANODIZED
4	2	CONTACT PIN	COPPER ALLOY	GOLD PLATED
5	1	2 POLE INSERT	PVC	YELLOW
6	1	POTTING	EPOXY	BLACK

CREATE DOC EC NO: WNA2010-0423 DRAWN BY: B. RUPERT CHKD BY: WOODMAN APPR: J. MURPHY	QUALITY SYMBOLS ▽=0 ▽=0	GENERAL TOLERANCES (UNLESS SPECIFIED)		DIMENSION STYLE IN/MM	SCALE 2:1	DESIGN UNITS INCH	THIRD ANGLE PROJECTION
		4 PLACES ± .005	3 PLACES ± .005	2 PLACES ± 0.013	1 PLACE ± .005	DRAWN BY: B. RUPERT DATE: 01/07/2010 CHECKED BY: B. WOODMAN DATE: 01/07/2010 APPROVED BY: J. MURPHY DATE: 2010/01/14	
DRAFT WHERE APPLICABLE MUST REMAIN WITHIN DIMENSIONS		SEE CHART		MATERIAL NO. SD-130013-015		DOCUMENT NO. 1 OF 1	
THIS DRAWING CONTAINS INFORMATION THAT IS PROPRIETARY TO MOLEX INCORPORATED AND SHOULD NOT BE USED WITHOUT WRITTEN PERMISSION							