

DETAILS

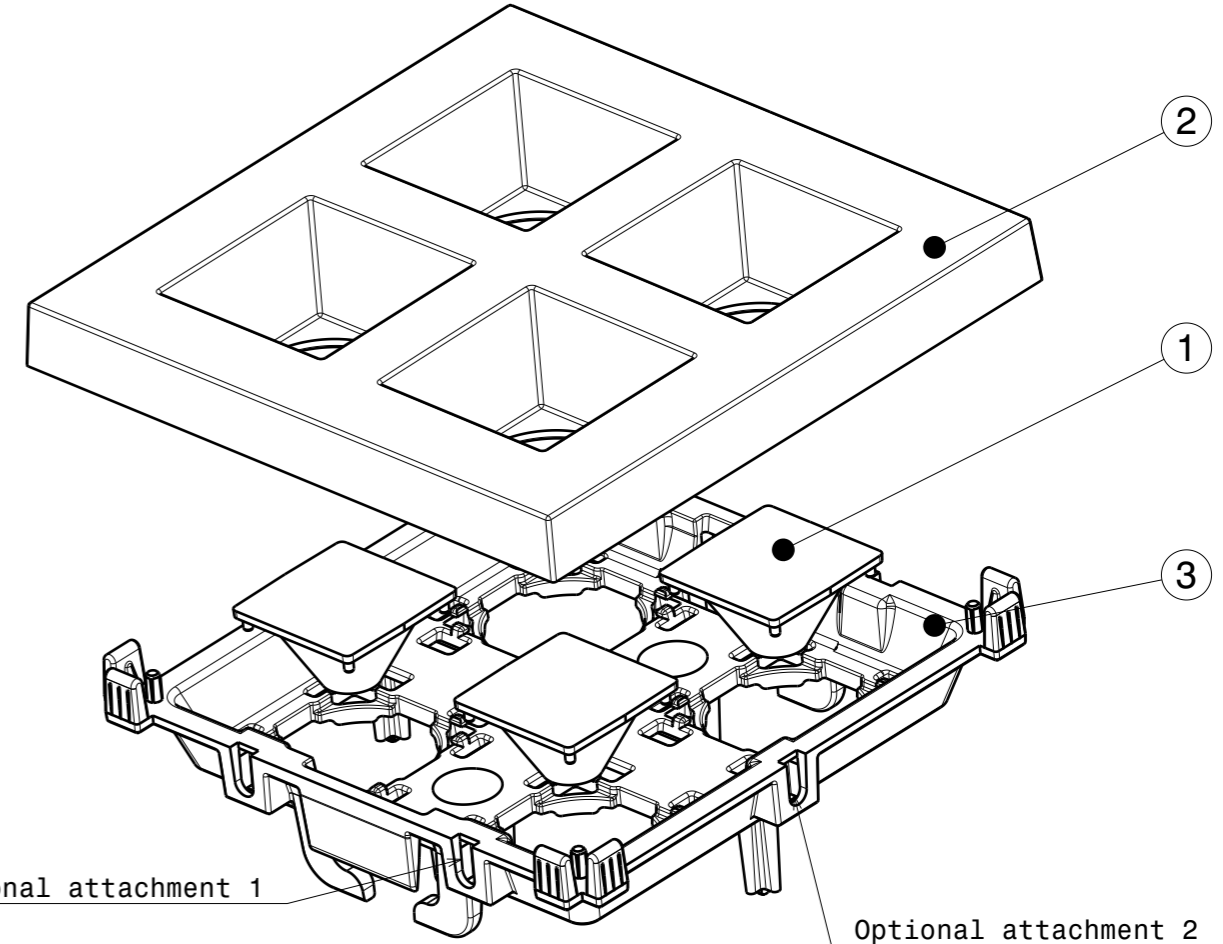
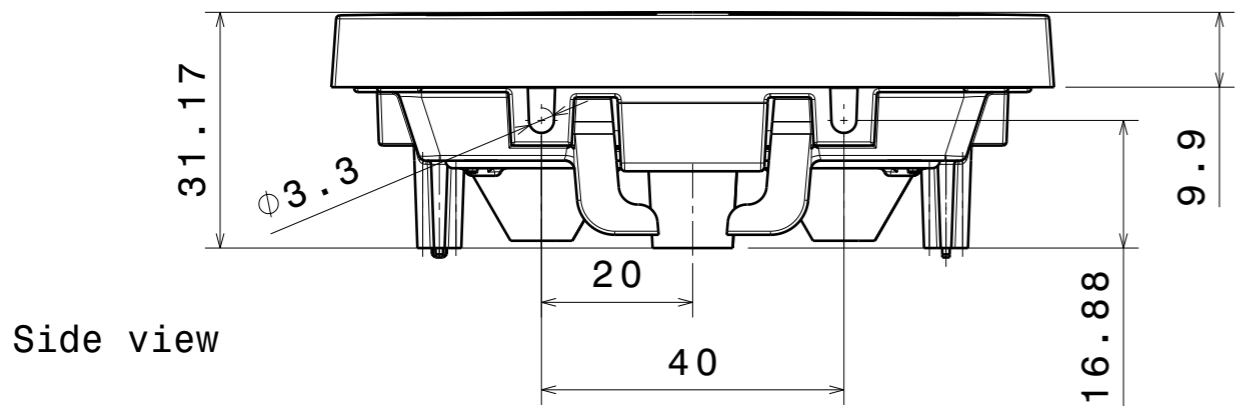
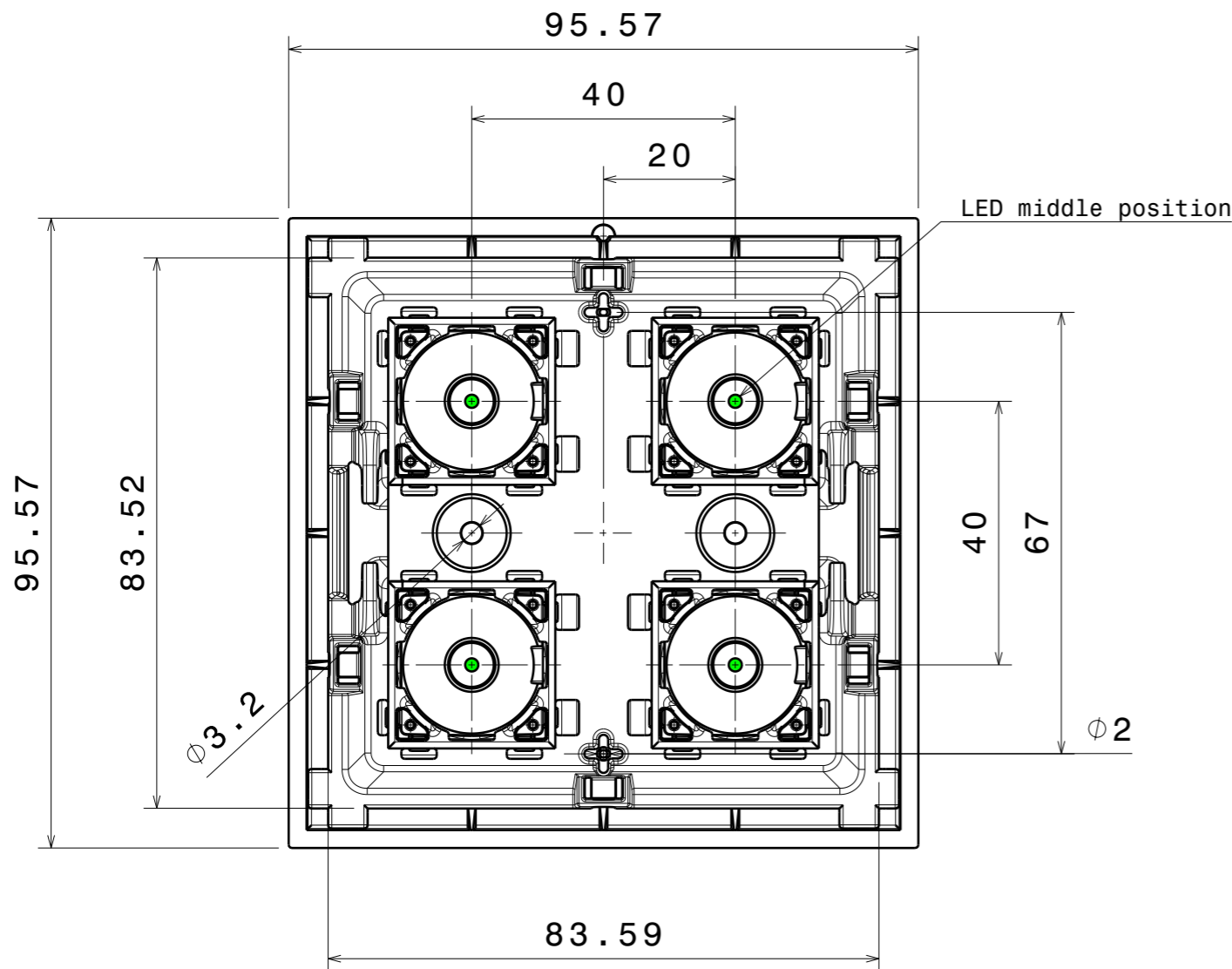
Product Number	FC14973_FLORENTINA-2X2-M
Family	Florentina
Type	Pack
Color	black
Diameter	95,57x95,57 mm
Height	17,72 mm
Style	square
Optic Material	
Holder Material	
Fastening	screw, pin
Status	production ready
ROHS Compliant	Yes
Date Updated	24/08/2016



OPTICAL PROPERTIES

LED	Viewing Angle	Light Beam	Efficiency	cd/lm	Connector
XP-L	30 deg		75 %	2.400	-
XHP35 HD	31 deg		77 %	2.300	-
LUXEON TX	30 deg		80 %	2.700	-
LUXEON MZ	30 deg		75 %	2.500	-
NVSxx19B/NVSxx19C	30 deg		79 %	2.600	-
Oslon Square EC	30 deg		80 %	2.700	-
Oslon Square Gen3	30 deg		75 %	2.600	-

H G F E D C B A



Isometric view
Scale: 1:1

Isometric view
Scale: 1:1

Assembly:

1. Attach lenses by pressing them down until they snap into place.
2. Screw the holder (with lenses assembled) to PCB. Inspect that the positioning pins are securely in their holes.
3. Press the shade down on the holder until they are securely attached.

Optional side attachment: The holder can also be attached with DIN 7985 M3 nuts

1. One nut per side for rotational attachment
2. Two per side for fixed beam direction

Recommendations:

Screw type DIN 7985 M3, max. torque 0.6Nm

Compatible with Strada-2X2MX PCB

Tolerances if not otherwise shown
According to DIN ISO 2768-1
Linear measures:
up to 30mm class M, otherwise class C
According to DIN ISO 2768-2
Form and position: class L

LEDiL LediL Oy
Salorankatu 10
FIN 24240 SALO
Finland

THIRD ANGLE PROJECTION:

DRAWING TITLE
FLORENTINA-2x2 assembly

This drawing is the property of LEDiL Oy. It may not be reproduced, copied or communicated without a written agreement with LEDiL Oy.

SIZE	PART NUMBER		
A3	-		

INDEX	PART NO	DESCRIPTION	MATERIAL	COLOUR
1	-	CMC / MRK lenses	-	
2	C14734	FLORENTINA-2X2-SHD	PC	black
3	C14735	FLORENTINA-2X2-HLD	PC	black

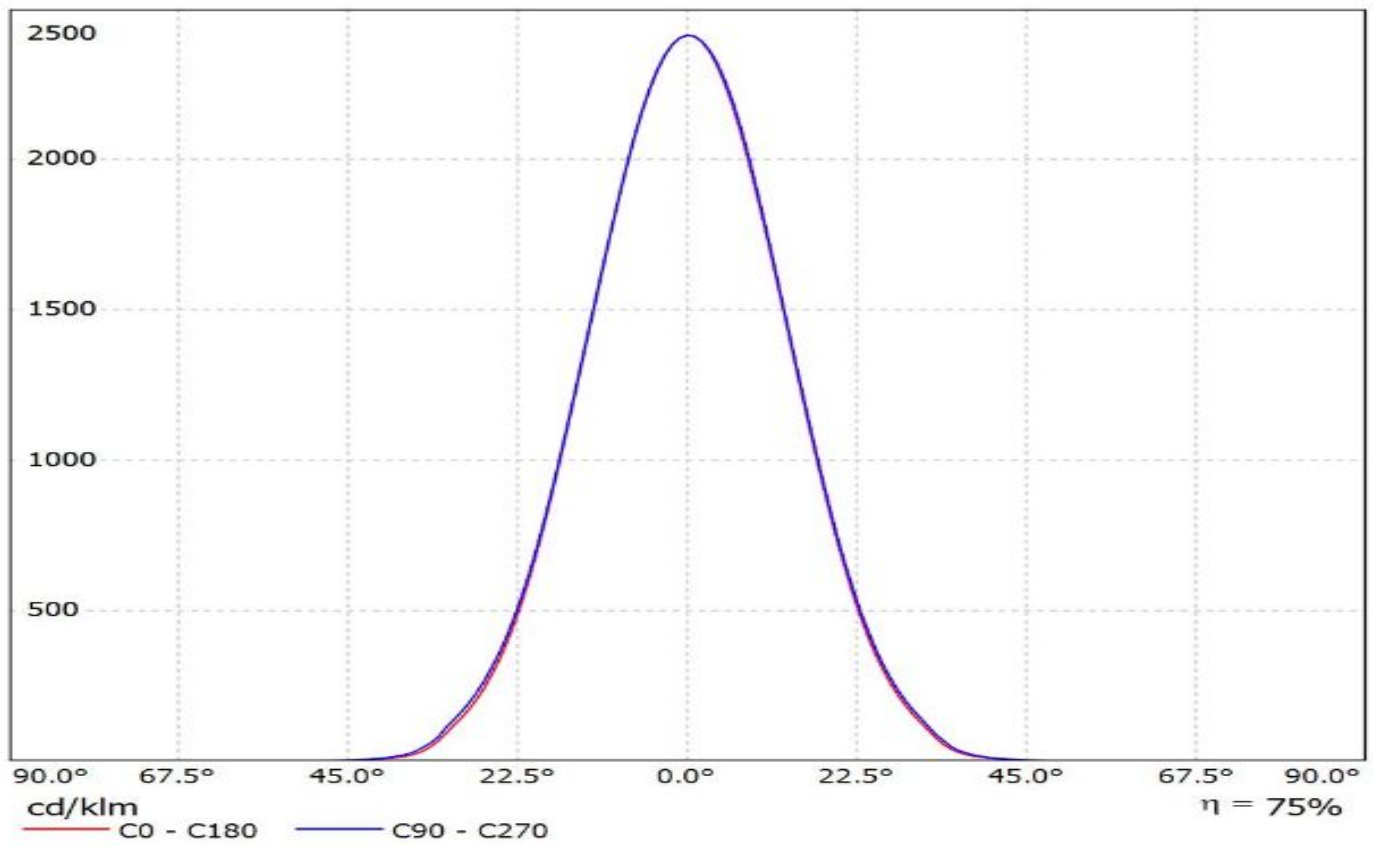
SCALE	1:1	WEIGHT	-	SHEET	1/1
-------	-----	--------	---	-------	-----

H G F E D C B A

Ledil FC14973_FLORENTINA-2X2-M_(XP-L) / LDC (Linear)

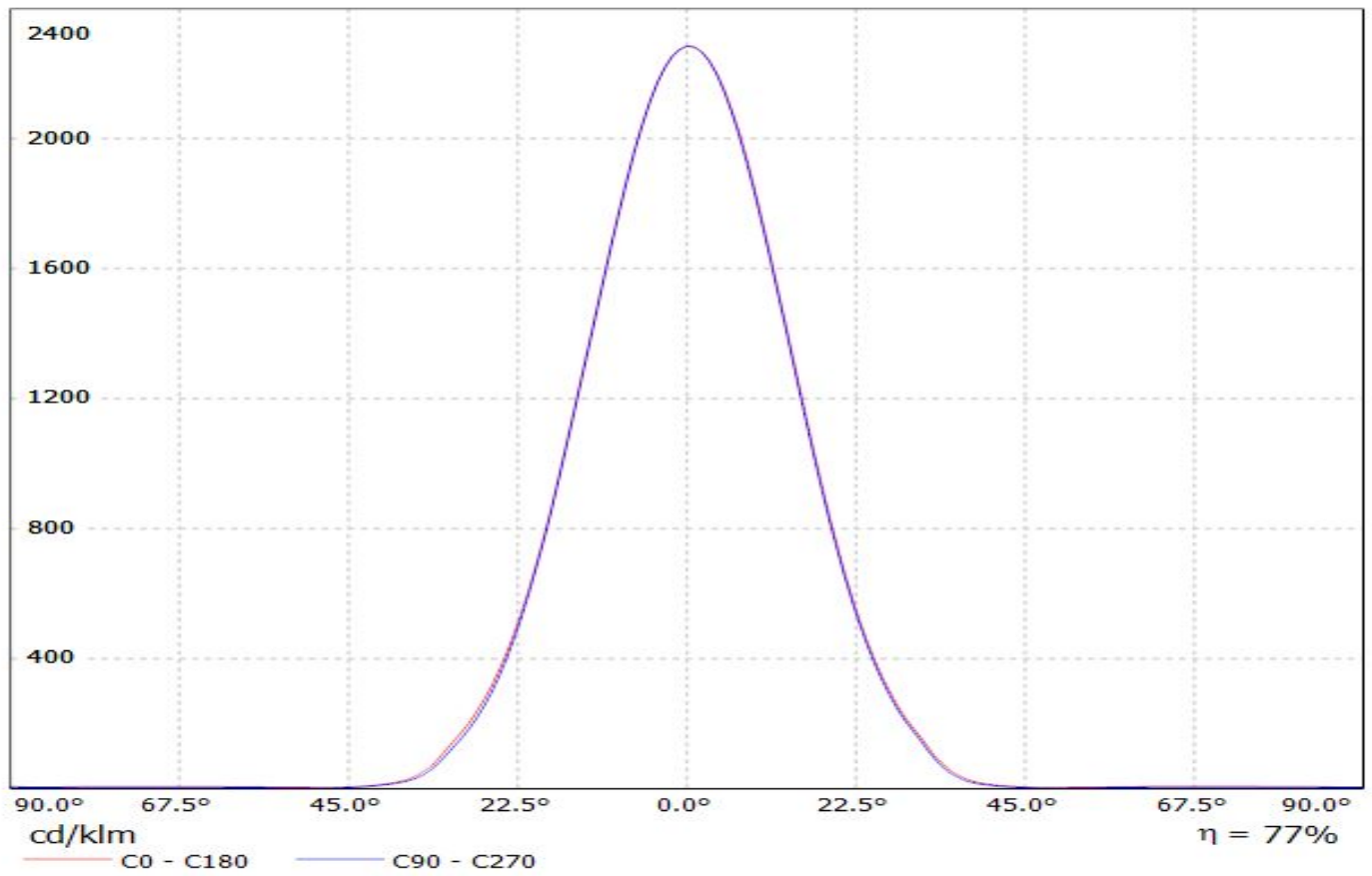
Luminaire: Ledil FC14973_FLORENTINA-2X2-M_(XP-L)

Lamps: 1 x CREE_XP-L_2x2MX_(XPLAWT-0-1B0-V40-00-0001)_515.493lm@250mA_P=2.8W_I=0.25A



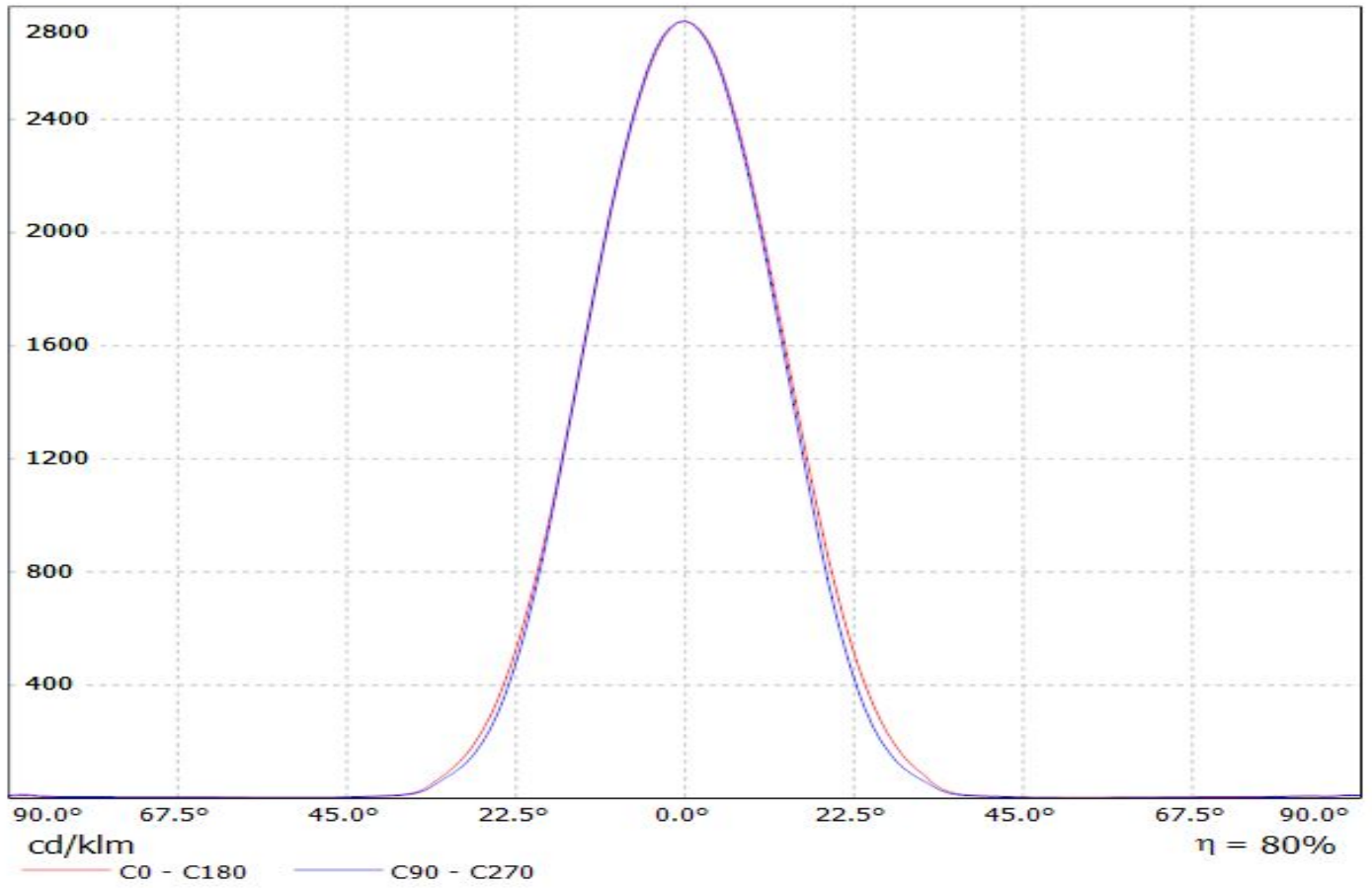
Luminaire: LEDiL Oy FC14973_FLORENTINA-2X2-M_(XHP35-HD)

Lamps: 1 x XHP35-HD_(XHP35A-0-2D0-D40-D0-B-01)_1705.7lm@250mA_P=11.219W_I=0.250A



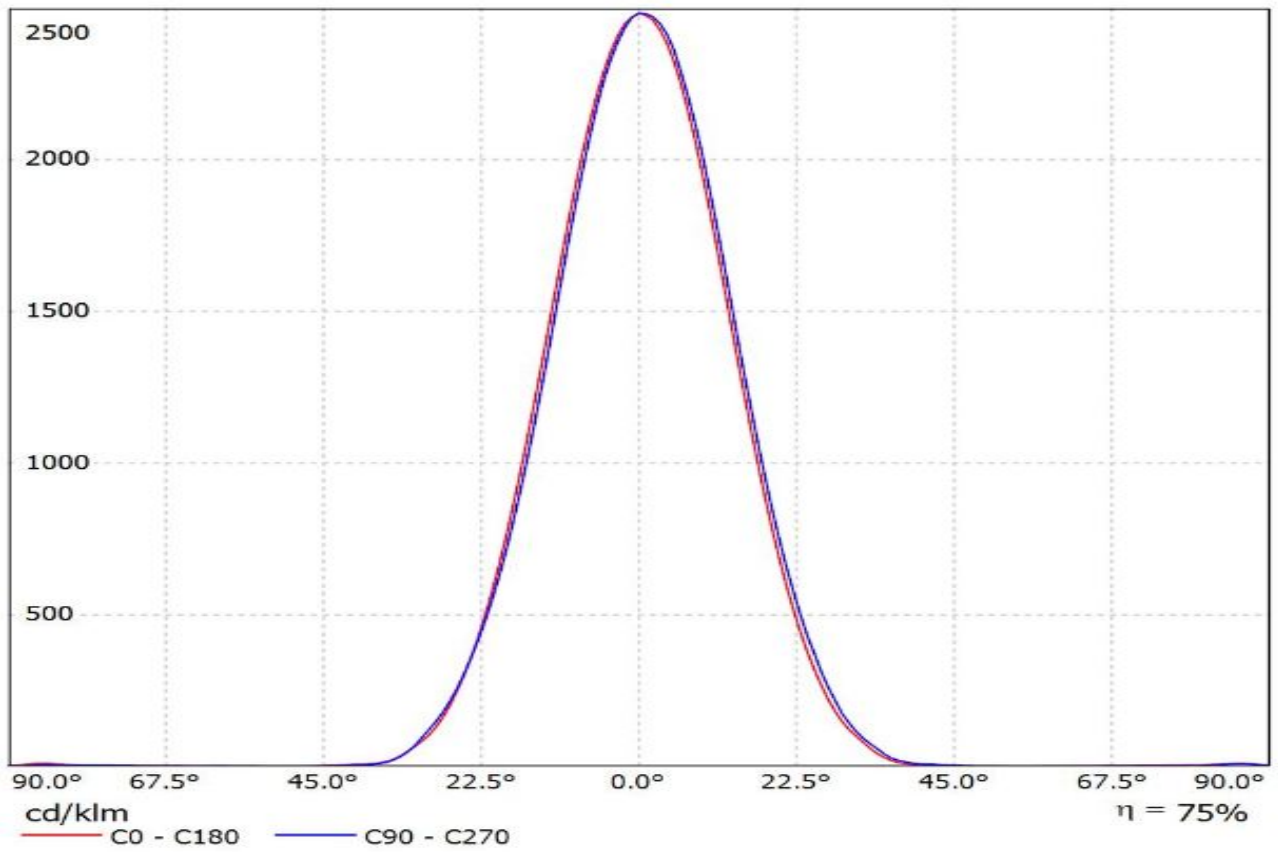
Luminaire: LEDiL Oy FC14973_FLORENTINA-2X2-M_(Luxeon_TX)

Lamps: 1 x Luxeon_TX_(L1T2-3080000000000)_344.318lm@250mA_P=2.85411W_I=0.250A

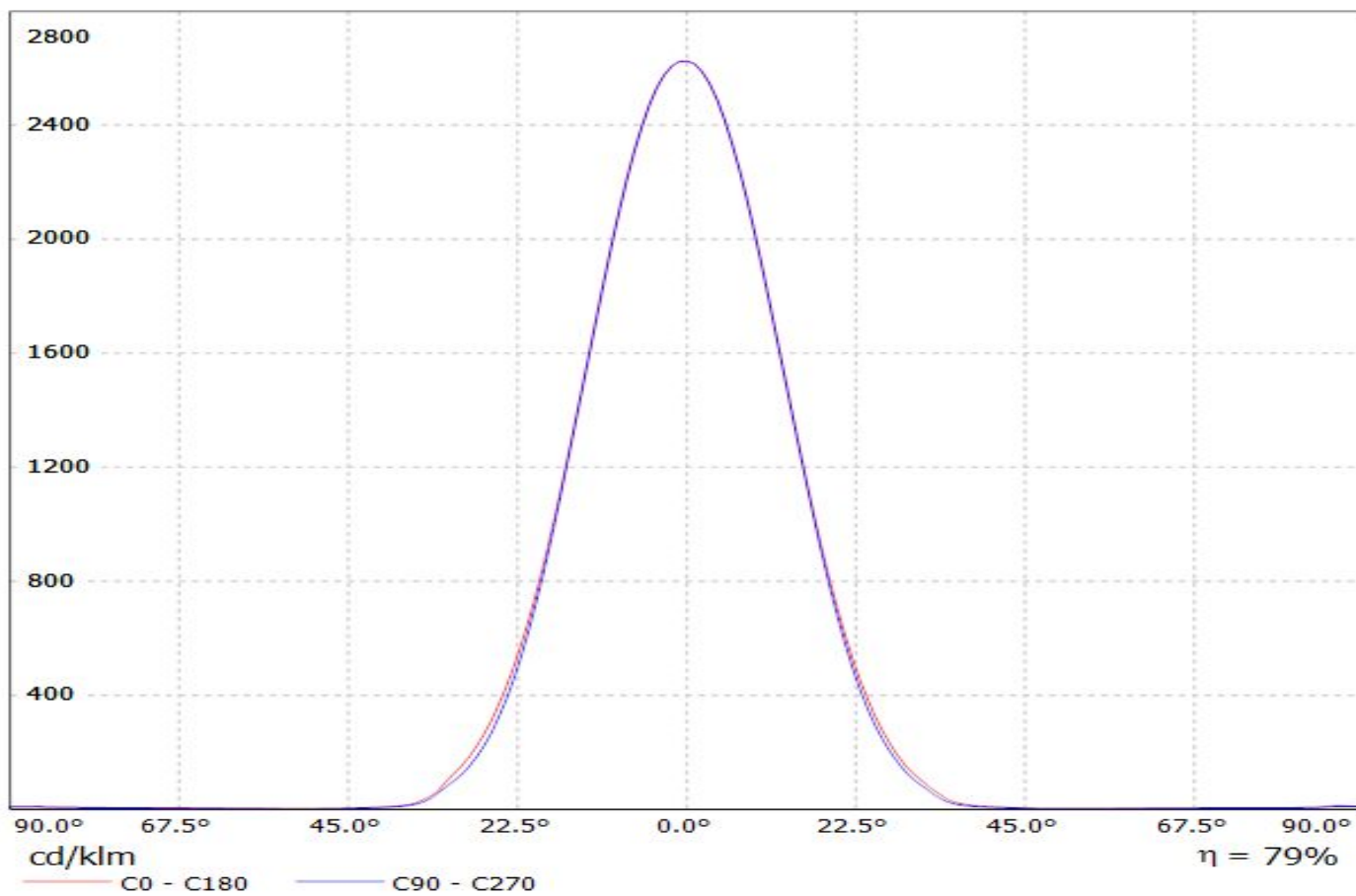


Luminaire: Ledil FC14973_FLORENTINA-2X2-M (Luxeon_MZ)

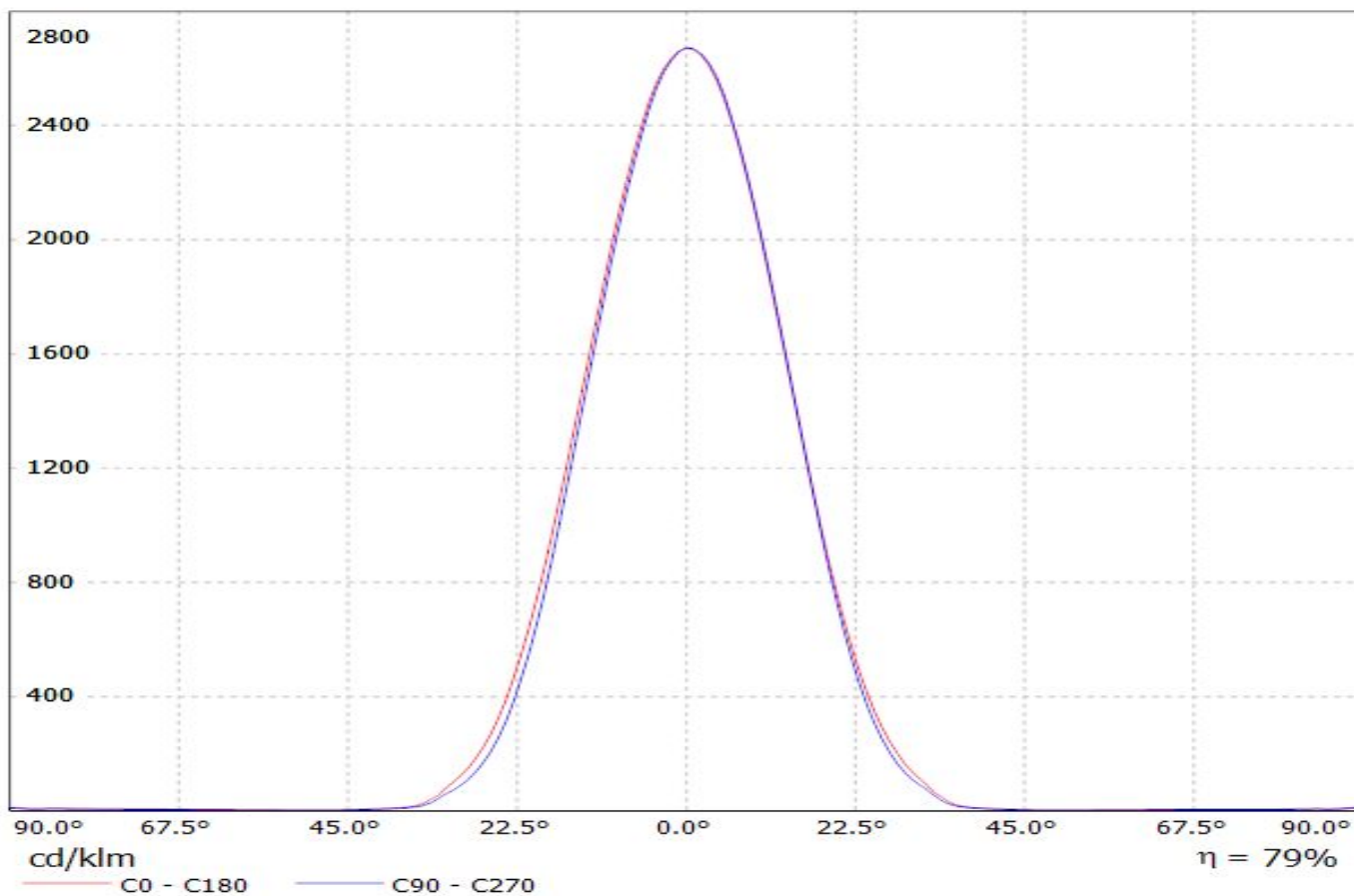
Lamps: 1 x Luxeon_MZ_2x2_(LM29-SW30)_1110.46lm@250mA_P=11.0448W_I=0.25A



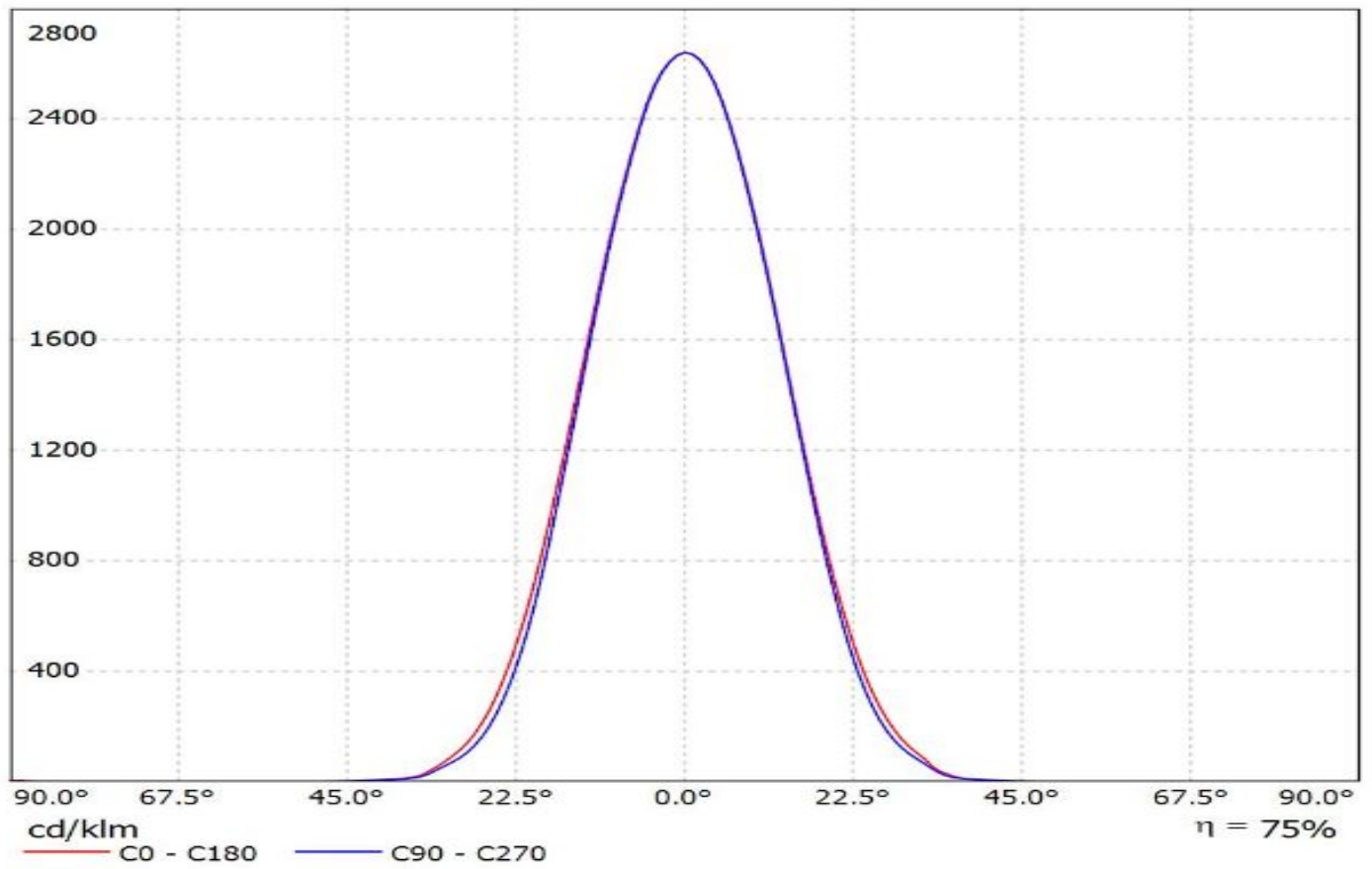
Luminaire: LEDiL Oy FC14973_FLORENTINA-2X2-M_(NVSxx19c)
Lamps: 1 x NVSxx19c_412.136lm@250mA_P=2.81612W_I=0.250A



Luminaire: LEDiL Oy FC14973_FLORENTINA-2X2-M_(Oslon_Square)
Lamps: 1 x Oslon_Square_328.682lm@250mA_P=2.79276W_I=0.250A



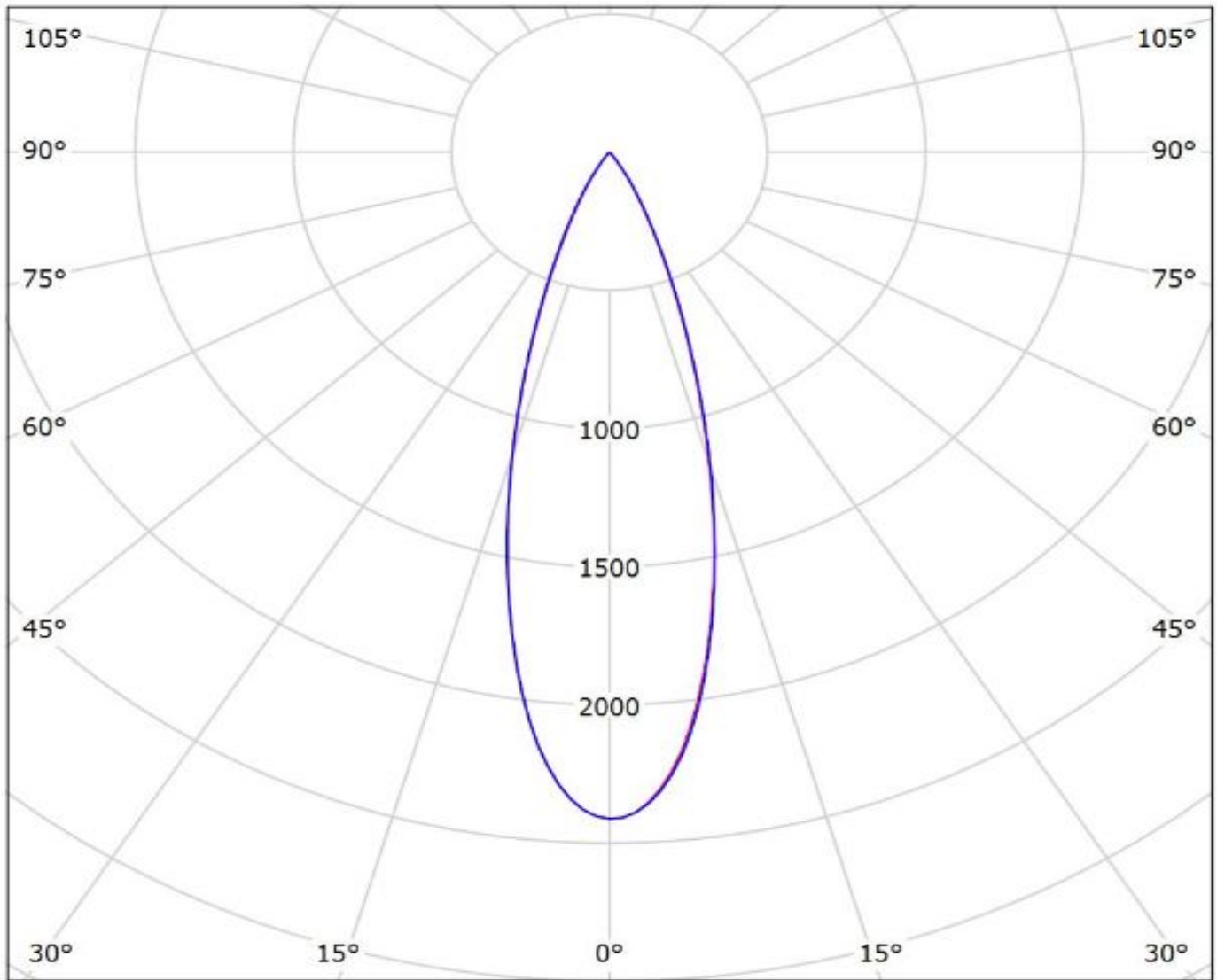
Luminaire: Ledil FC14973_FLORENTINA-2X2-M_(SQ_Gen3)
Lamps: 1 x Oslon_square_GEN3_(GW_CSSRM2.PM-MUNQ-A737-1)
_453.421lm@250mA_P=2.7755W_I=0.25A



Ledil FC14973_FLORENTINA-2X2-M_(XP-L) / LDC (Polar)

Luminaire: Ledil FC14973_FLORENTINA-2X2-M_(XP-L)

Lamps: 1 x CREE_XP-L_2x2MX_(XPLAWT-0-1B0-V40-00-0001)_515.493lm@250mA_P=2.8W_I=0.25A



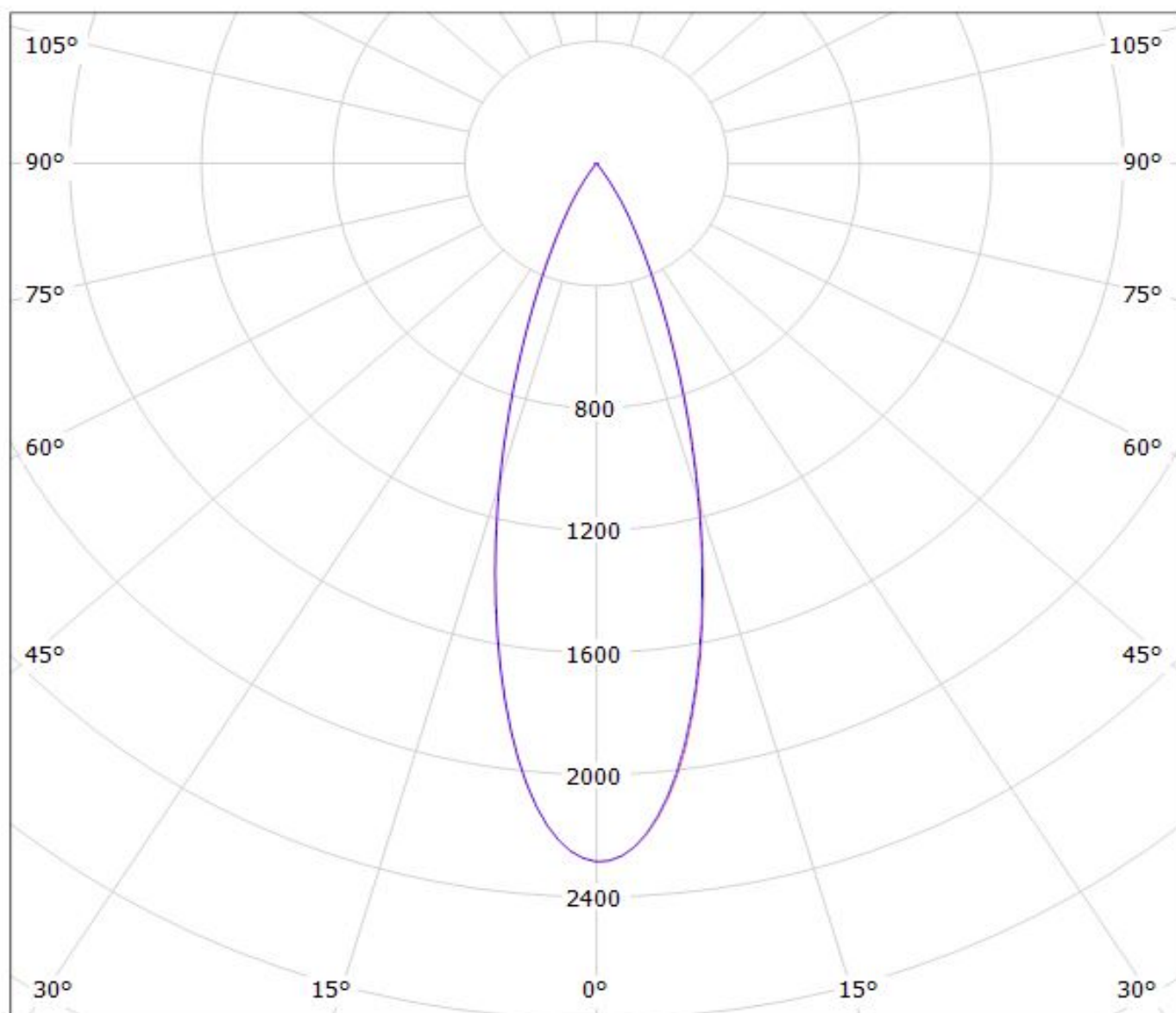
cd/klm

— C0 - C180 — C90 - C270

$\eta = 75\%$

Luminaire: LEDiL Oy FC14973_FLORENTINA-2X2-M_(XHP35-HD)

Lamps: 1 x XHP35-HD_(XHP35A-0-2D0-D40-D0-B-01)_1705.7lm@250mA_P=11.219W_I=0.250A



cd/klm

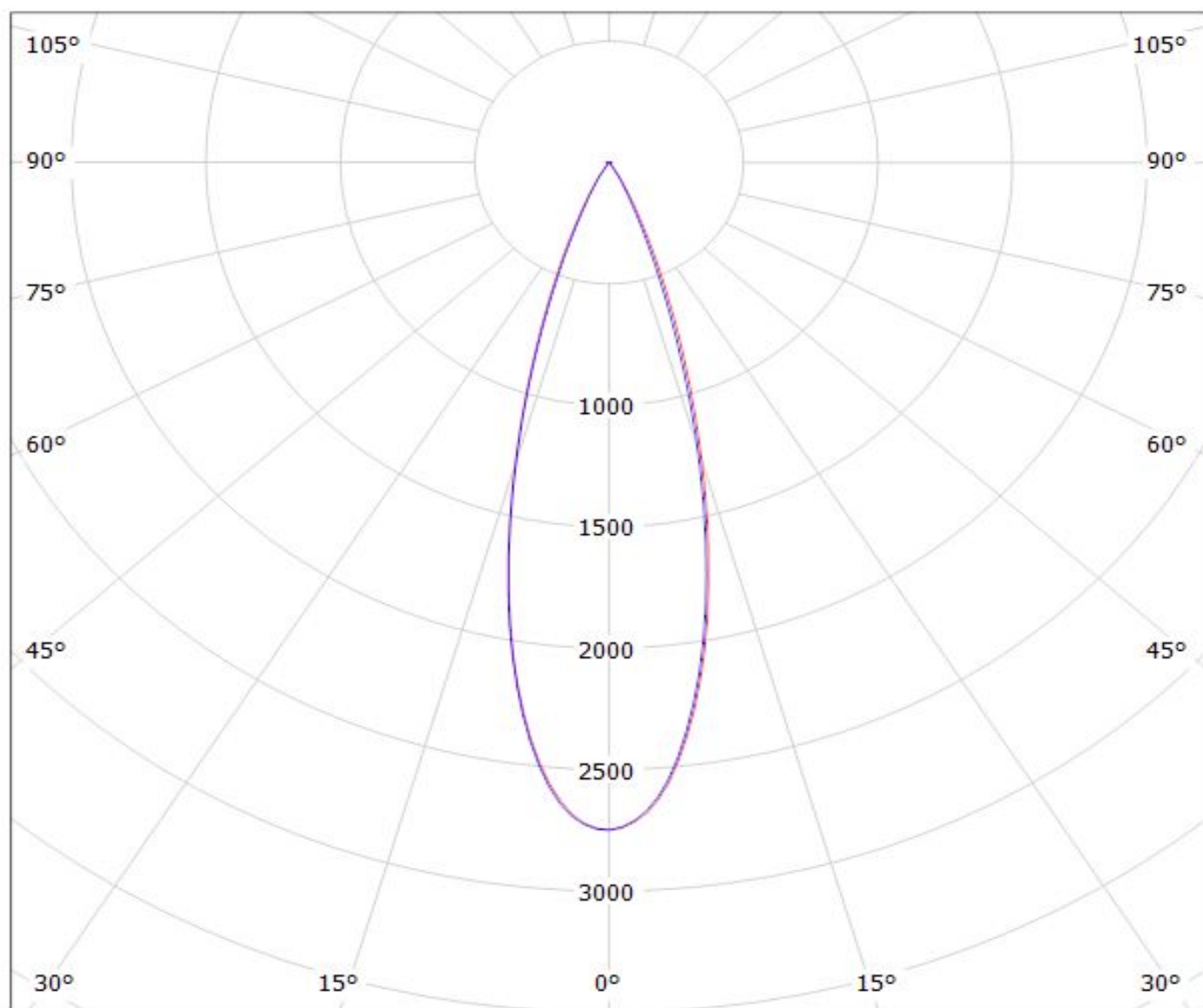
— C0 - C180

— C90 - C270

η = 77%

Luminaire: LEDiL Oy FC14973_FLORENTINA-2X2-M_(Luxeon_TX)

Lamps: 1 x Luxeon_TX_(L1T2-3080000000000)_344.318lm@250mA_P=2.85411W_η=0.250A



cd/klm

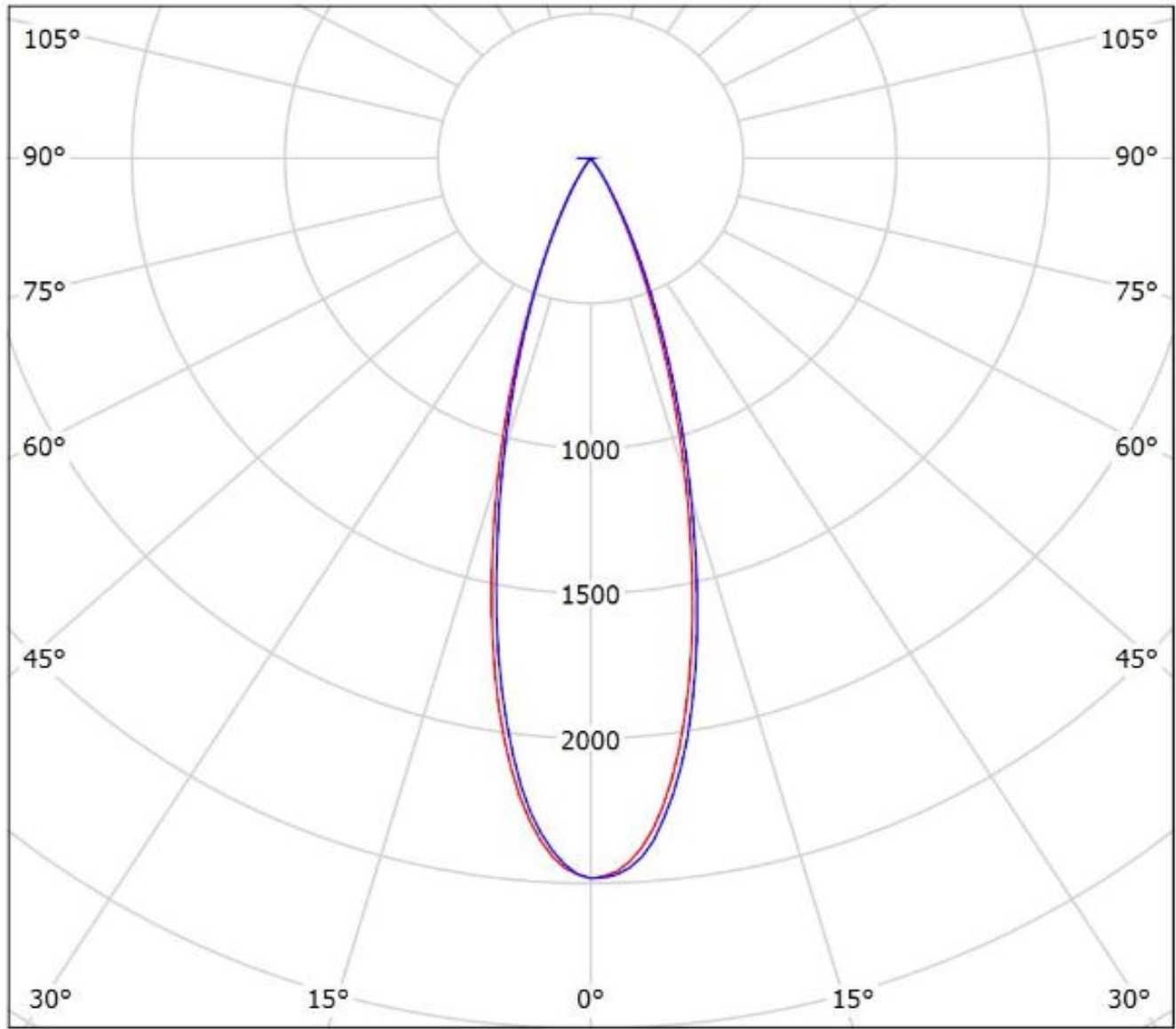
— C0 - C180

— C90 - C270

$\eta = 80\%$

Luminaire: Ledil FC14973_FLORENTINA-2X2-M_(Luxeon_MZ)

Lamps: 1 x Luxeon_MZ_2x2_(LM29-SW30)_1110.46lm@250mA_P=11.0448W_I=0.25A



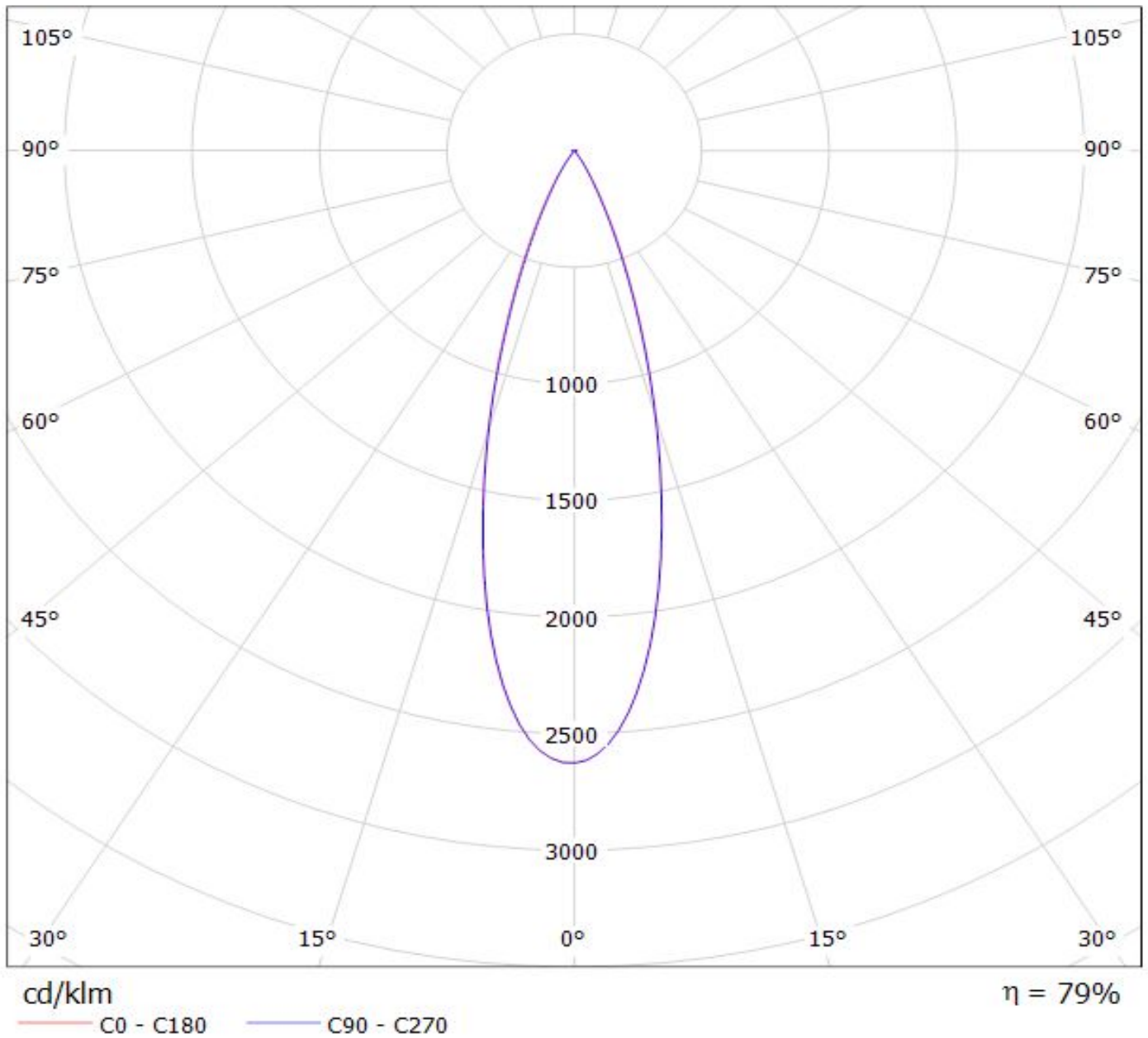
cd/klm

— C0 - C180

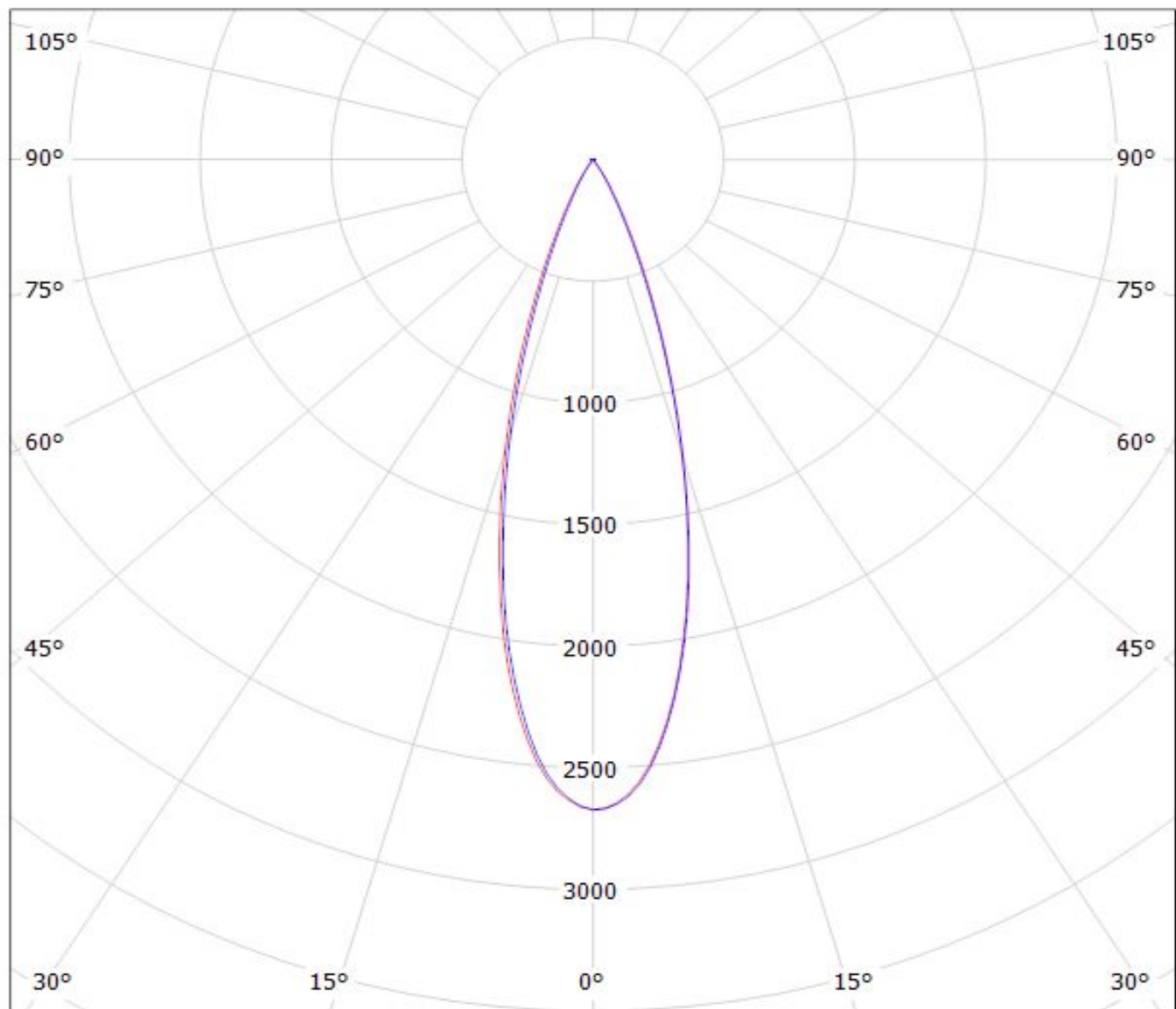
— C90 - C270

$\eta = 75\%$

Luminaire: LEDiL Oy FC14973_FLORENTINA-2X2-M_(NVSxx19c)
Lamps: 1 x NVSxx19c_412.136lm@250mA_P=2.81612W_I=0.250A



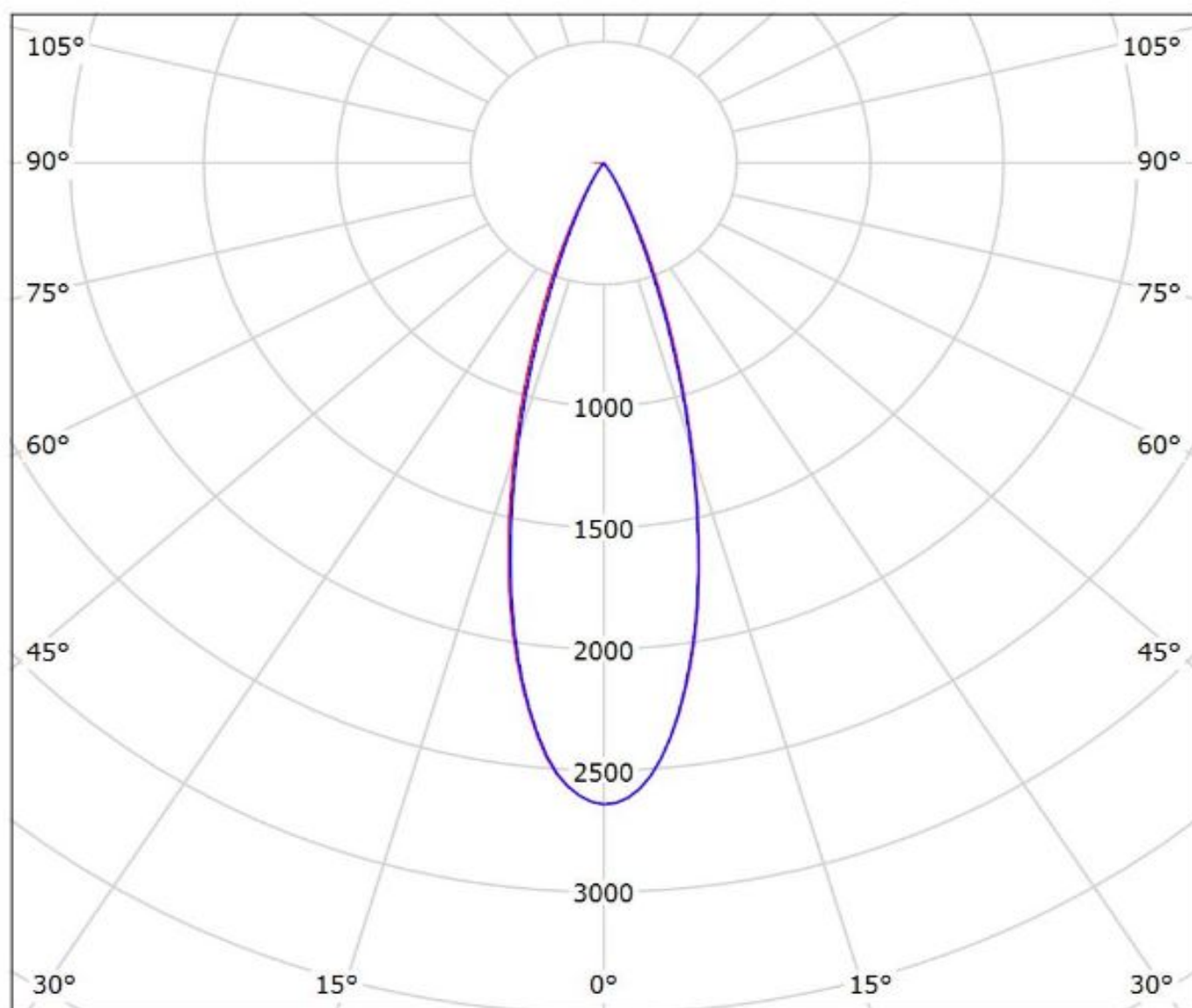
Luminaire: LEDiL Oy FC14973_FLORENTINA-2X2-M_(Oslon_Square)
Lamps: 1 x Oslon_Square_328.682lm@250mA_P=2.79276W_I=0.250A



cd/klm
— C0 - C180 — C90 - C270

$\eta = 79\%$

Luminaire: Ledil FC14973_FLORENTINA-2X2-M_(SQ_Gen3)
Lamps: 1 x Oslon_square_GEN3_(GW_CSSRM2.PM-MUNQ-A737-1)
_453.421lm@250mA_P=2.7755W_I=0.25A



cd/klm

— C0 - C180 — C90 - C270

$\eta = 75\%$

NOTE: The typical divergence will be changed by different color, chip size and chip position tolerance. The typical total divergence is the full angle measured where the luminous intensity is half of the peak value.